

CRAFTOP®



Owner's Manual

High Pressure Washer

GHW3400A



EXPERTS
IN EQUIPMENTS OF
GARDENING AND AGRICULTURE

ENGLISH
VERSION: 00-202203

We thank you for buying CRAFTOP High Pressure Washer

This high pressure washer provides advanced technology in incorporating many convenient features for you to perform your daily cleaning work.

Before attempting to use this high pressure washer, please read this manual carefully until you completely understand and can follow all safety rules, precautions, operating and maintenance instructions. It will help you both to become more familiar with this high pressure washer and to recognize and avoid situations that could endanger you and others. **Careless or improper use may cause serious or even fatal injury!**

If you have any question about your high pressure washer and this manual, please contact your local authorized dealer or service center. They always welcome your questions, suggestions, and constructive criticism.

We hope you enjoy this high pressure washer and wish you many years of safe and enjoyable cleaning work.

CRAFTOP CANADA LTD.

The logo for CRAFTOP is displayed in a light pink color. The word "CRAFTOP" is written in a bold, italicized, sans-serif font. A registered trademark symbol (®) is located to the right of the word.

Table of contents

Guide to use this manual	1
Product overview.....	3
Technical specification	6
Safety precautions and instructions	7
Assembly.....	14
Pump oil	16
Engine oil.....	16
Fuel and fueling.....	17
Detergent.....	18
Preparation.....	18
Start and stop the engine	20
Operation.....	21
Working techniques.....	22
Maintenance and care.....	23
Repair.....	26
Storage.....	26
Disposal.....	28
Troubleshooting guide.....	29

Guide to use this manual

This Owner's Manual refers to a CRAFTOP high pressure washer, also called a product, machine, or unit in this Owner's Manual.

All information, specifications, descriptions and illustrations in this manual are as accurate as known at the time of publication, but are subject to change without notice. Due to ongoing product development, there may be difference between your machine and the information in this manual. No legal obligations or commitments can be delivered from the information, specifications, descriptions, or illustrations in this manual.

Illustrations are only for orientation and are merely used to help explain the text descriptions and instructions. Illustrations may include optional equipment and accessories, and may not include all standard equipment.

Some signs or symbols on the machine may be a little different refer to special certification requirements for certain markets.

Any technical modifications to the machine that were introduced after the editorial deadline, please consult your local dealer for more supplementary information.

All safety precautions and instructions described in this manual should be observed during operation of the high pressure washer, and all applicable federal, state and local safety regulations, standards, and ordinances should be observed as well.

Do not sell, lend or rent the machine without this Owner's Manual. Always be sure to include this Owner's Manual together with this machine, and make sure that anyone using it understands the information contained in this manual.

Signs and symbols in this manual

DANGER

Texts with this symbol contain information regarding hazardous situations which will cause death or severe injures if not avoided.

WARNING

Texts with this symbol contain information regarding hazardous situations which could cause death or severe injures if not avoided.

CAUTION

Texts with this symbol contain information regarding hazardous situations which could cause minor or moderate injures if not avoided.

NOTICE

Texts with this symbol information regarding situation which could cause high pressure washer damage if not avoided.

information

Texts with this symbol contain supplementary information.



Waning or Alert!

Special safety precautions must be observed when working with this machine because it has high speed rotation parts, uses flammable fuel, produces high pressure water, and exhausts poisonous fumes.



Read and understand the Owner's Manual.

Read this Owner's Manual carefully, make sure that you completely understand and can follow all safety rules, precautions, operating and maintenance instructions before attempting to use this high pressure washer, failure to do so may cause serious or even fatal injury!



Wear proper clothing.



Eye and ear protection required.

Always wear appropriate safety goggles or safety glasses with side shields, and ear plugs or ear muffers as well when operating this machine.



Hair protection required.

Operator who has long hair should tie up and confine long hair with a hair net, cap, or hard hat for instance.



Respiratory protection required.

Wear proper respiratory protection to protect you from chemical solvents, aerosols, oils, mold, and other more harmful airborne particles or allergens that may go unseen.



Hands protection.

Always wear appropriate gloves when you handle chemical detergent or operate high pressure washer.



Foot protection required.

Wear shoes or boots with anti-slip soles in your working area.



Fire hazard.

Risk of fire.
Flammable material or their fumes may catch fire easily if near heat, flames or sparks.



No smoking.

Do not smoke in this area.



Toxic Fumes.

Chemicals contained in the engine exhausts can cause cancer and birth defects and other reproductive harm.



Poisonous.

The skull and crossbones symbol means the product is poisonous or has/produce poisonous material. Licking, eating, drinking, or smelling a substance marked with this symbol can make you very sick or even cause death.

Risk of Asphyxiation.

This engine exhausts carbon monoxide, an odorless, colorless poison gas. Breathing carbon monoxide can cause nausea, fainting or even death. Only use this machine in a well ventilated outside area.



Hazards of electric shock.

Be careful of high voltage cable when you use machine.



Do not touch!



Warning of hot surface.

Contact may cause burn.
Do not touch!



Risk of injections.

To reduce the risk of injection or injury, never direct a water stream towards people or pets or place any body part in the stream. Leaking hoses and fittings are also capable of causing injection injury. Do not hold hoses or fittings.



Risk of Explosion.

Do not spray flammable liquids. Flammable liquids, fuel, and their vapors are explosive and can cause severe burns or death.



Risk of kickback.

To reduce the risk of injury from kickback, hold the gun and wand securely with both hands when work with the machine.

Signs and symbols on the machine

For the purpose of safety operation and maintenance, the meanings of signs and symbols may be attached to or embossed on the machine.



The port to top up fuel.

Position: Fuel cap



The port to top up engine oil.

Position: Oil cap



Choke control.

Choke closed.

“Cold start” position.

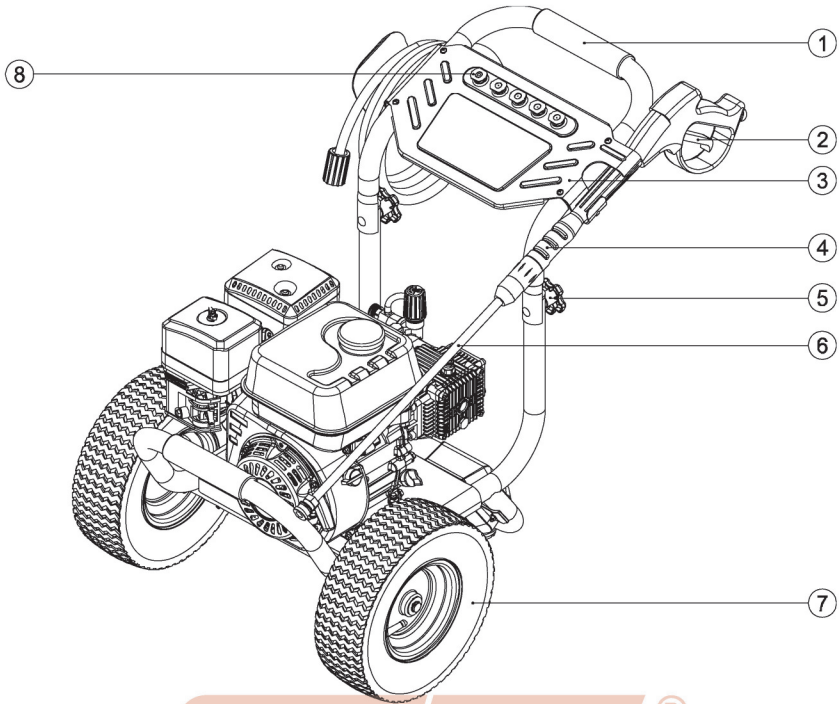


Choke control.

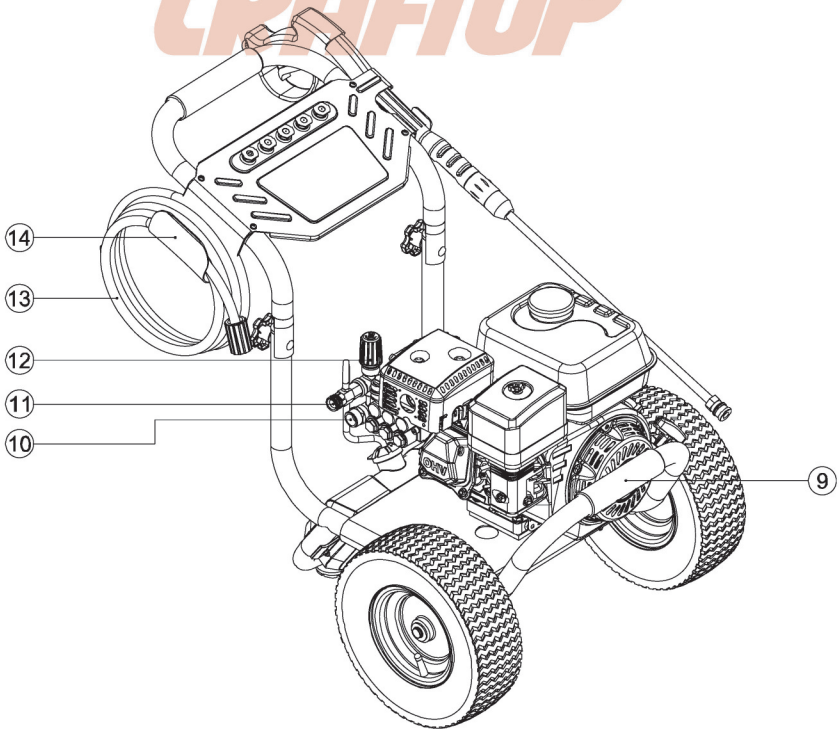
Choke open.

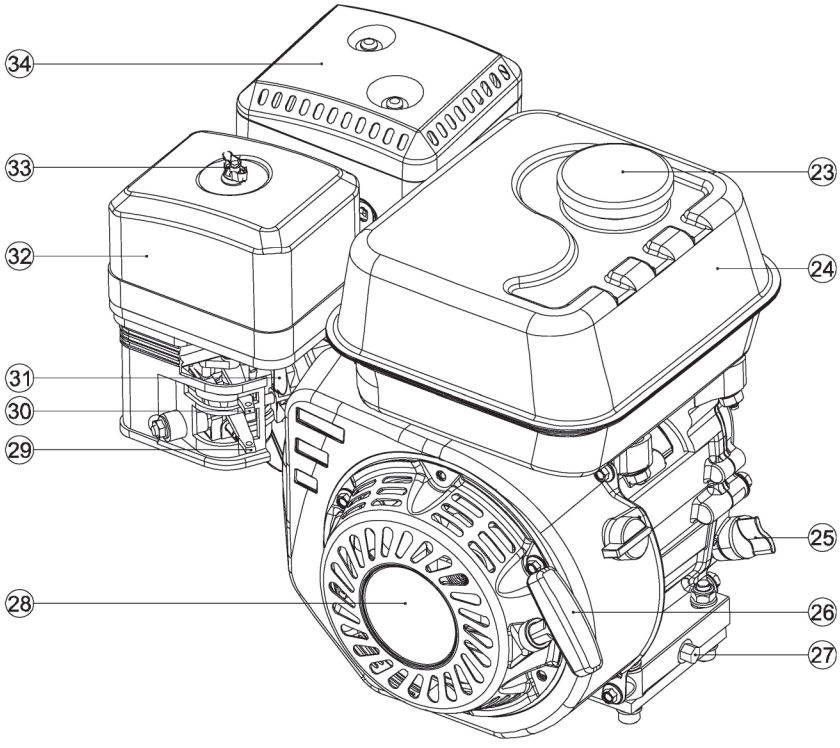
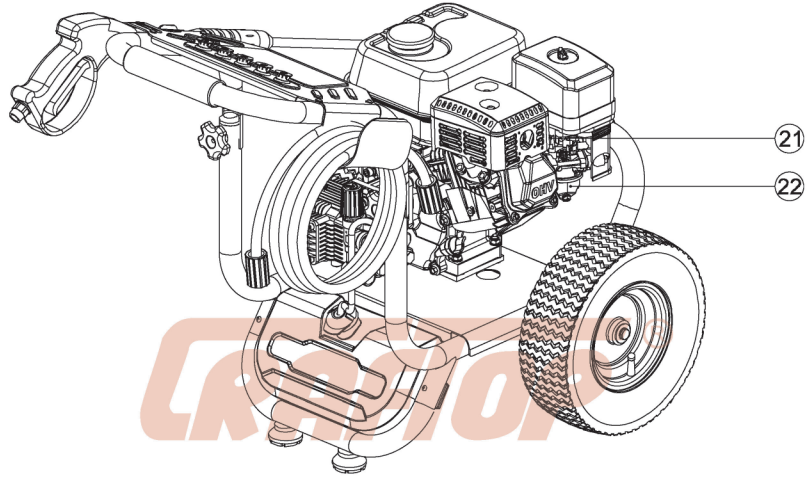
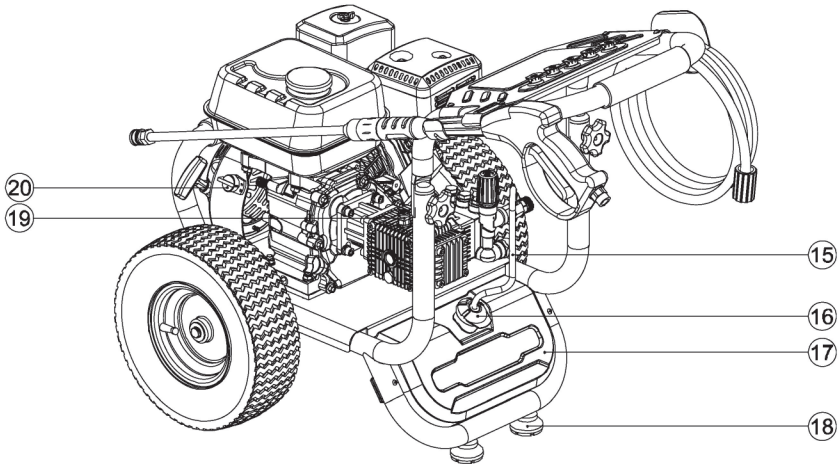
“Run” position.

Product overview



CRAFTOP®





Index	Part Name	Description
1	Upper Handle	It is used to maneuver the machine when transporting by hands.
2	Spray Trigger	Squeeze it to spray pressure water out; and, release it to stop.
3	Spray gun holster	Used to place the spray gun on the machine when not in use.
4	Spray Gun	It is used to handle and spray water under pressure.
5	Knob	To quickly fix upper handle onto main frame by hands.
6	Spray Wand	It is used to extend your reach for easier cleaning.
7	Wheel	Provides easy mobility for the machine to move manually on the ground.
8	Spray Nozzles	0°, 15°, 25°, 40°, detergent tip; Use to apply the right pressure and stream pattern for each specific application.
9	Lower Handle	Use to lift the machine or transport the machine by two people.
10	Pump Inlet	Using included quick-connect coupling, attach your garden hose here.
11	Pump Outlet	Attach your pressure hose here.
12	Flow Control Valve	To regulate the water flow or pressure out from pump outlet.
13	Pressure Hose	Attach to pump and gun.
14	Pressure Hose hook	To hang the pressure hose when not in use.
15	Detergent hose	Connect between detergent tank and pump.
16	Detergent Tank Cap	Take this cap off to fill detergent tank with approved detergent.
17	Detergent Tank	A tank designed for approved detergent.
18	Support Shoes	To support the machine together with wheels when it is in use or during storage.
19	Pump oil filler plug	Take this red plug off to fill pump oil before the first use of this machine.
20	Engine Switch	On/Off Switch, ensure this is turned to 'ON' position before attempting to start the engine.
21	Spark Plug	Should be checked every 100 hours of operation.
22	Carburetor	A device in an internal combustion engine for mixing air with a fine spray of liquid fuel.
23	Fuel Cap	Ensure fuel cap is tightened securely during operation.
24	Fuel Tank	3.6L capacity.
25	Oil Dipstick	Ensure the machine has the proper level of oil before starting engine. Only use SAE 10W-30 oil.
26	Recoil Starter Rope Handle	It is used to pull the starter rope.
27	Oil drain plug	Remove it and allow used oil to drain out.
28	Recoil Starter	This is used to start the engine.
29	Fuel Valve	Regulates the flow of fuel to the engine. Must be fully open before starting the engine.
30	Choke Lever	It is used to control incoming air.
31	Throttle Lever	This is used to adjust the engine speed.
32	Air Filter	Air filter should be replaced annually to ensure optimal engine performance.
33	Air Filter Wing Nut	To manually fix or release air filter cover quickly.
34	Muffler	Ensure you avoid contact as this will be hot during and shortly after use. Avoid resting the pressure hose on muffler.

This machine is designed for specific residential applications. Do not modify or use for any application other than which it is designed. This equipment is not designed for industrial use. Please refer to the icons below for suggested applications.



Stairs



Car



Fencing



Deck and Patio



Garage floor



Driveway



Sidings



Painting preparation

Technical specification

MODEL		GHW3400A	
Item	Description	Unit	Specification
Overall	Package dimension (L x W x H)	in(mm)	615 x 485 x 580
	Net weight	kg	37
	Maximum water flow rate	GPM	2.6
	Application temperature	°C	+5 ~ +60
Engine	Type		4 stroke gasoline engine
	Displacement	cc	196
	Power (OHV)	HP	6.5
	Speed (without load)	RPM	3600
	Starter		Manual recoil starter
Spark Plug	Gap	in(mm)	0.028~0.031(0.7~0.8)
Pump	Type		Heavy-duty, Commercial grade, Crank brass pump
	Maximum water pressure	PSI	3400
	Rated water pressure	PSI	2700
	Minimum inlet pressure	PSI	30
	Maximum inlet pressure	PSI	100
	Maximum temperature of pumped water	°C	60
Pump oil	Type		SAE 15W-40
	Capacity	L	0.4
High pressure hose	Type		Steel wired high pressure hose
	Length	ft(m)	20(6)
Inlet & Discharge Ports	Type		Standard garden hose connector
Spray Nozzles	Type		0°, 15°, 25°, 40°, detergent tip

MODEL		GHW3400A	
Item	Description	Unit	Specification
	Quantity		Total 5
Detergent tank	Tank capacity	L	3
Fuel	Type		Unleaded gasoline
	Tank capacity	L	3.6
Engine oil	Type		SAE 10W-30
	Tank capacity	L	0.6
Wheels	Type		Pneumatic tires
	Size	inch	12
Standard features	<p>This pressure washer is equipped with the following safety features:</p> <p>Low-Oil Auto Shut-Off</p> <p>This pressure washer is equipped with a low oil shut-off system. If the engine oil level goes below the recommended oil level, the pressure washer will automatically shut-off. This protects your engine and prevents operating without proper lubrication.</p>		

information

Specifications, descriptions and illustrations in this manual are as accurate as known at the time of publication, but are subject to change without notice.

Safety precautions and instructions



Special safety precautions must be observed when working with this machine because it has high speed rotation parts, uses flammable fuel, produces high pressure water, and exhausts poisonous fumes.



Before attempting to use this high pressure washer, please read this manual carefully until you completely understand and can follow all safety rules, precautions, operating and maintenance instructions. Careless or improper use may cause serious or even fatal injury!

Safety precautions

DANGER

- Because a high pressure washer has high speed rotation parts, uses flammable fuel, produces high pressure water, and exhausts poisonous fumes, some special precautions must be observed to reduce the risk of accident and personal injury. Careless or improper use may cause serious or even fatal injury.
- Rotating parts can entangle hair, hands, clothing, feet and/or accessories. Traumatic amputation or severe laceration can result.
- Gasoline is an extremely flammable fuel. If spilled and ignited by a spark or other ignition source, it can cause fire and serious burn injury or property damage.

Use extreme caution when handling gasoline. Combustible fuel vapor may escape from the fuel system or container during fueling operations. Do not smoke or bring any fire or flame near the fuel or the machine.

- Never point the spray nozzle at a person, an animal or yourself. Keep clear of nozzle. Always wear proper clothing and PPE (Personal Protective Equipments) when operating or performing maintenance.
- Do not direct high pressure stream at persons, animals, electrical devices, or the machine itself. High pressure jets can be dangerous if subject to misuse, and result in high risk of injection or injury.
- All electrical conductors and communications wires can have electricity flow with high voltages. This machine is not insulated against electrical current. Never spray the water steam to wires, otherwise serious injury or even death may result.
- Do not operate this machine indoors or in inadequately ventilated areas. DO not allow exhaust fumes to enter a confined area through windows, doors, vents or other openings. Engine exhaust contains poisonous emissions and can cause serious injury or death.

Hazards of electric shock.



The water spray must never be directed towards any electric wiring, devices, or directly towards the pressure washer itself, or fatal electric shock may occur.



Risk of kickback.

To reduce the risk of injury from kickback, hold the gun and wand securely with both hands when work with the machine.

The trigger gun safety lock prevents the trigger from being engaged accidentally and it should be placed in locked position when not in use.

WARNING

- Observe all applicable local safety regulations, standards and ordinances.
- Never spray flammable liquids or use pressure washer in areas containing combustible dust, liquids, or vapor.
- To prevent accidental water spray, always place the spray trigger in the locked position and engage the trigger locking latch when not in use.
- Running engines produce heat. Severe burns can occur on contact. Combustible material can catch fire on contact.
- The noise emitted from this machine may be restricted to certain times by national or local regulations.
- Use of pressure washers can create wet walking surfaces. While using a pressure washer, forces from the gun can cause you to loose footing and fall.
- Minors should never be allowed to use this high pressure washer. Do not allow other persons near the high pressure washer when starting or operating. Keep bystanders, especially children, and animals out of the work area and keep a safe distance. Close supervision of children is necessary to ensure that they do not enter the work area or play with the machine.
- Never let your pressure washer run unattended. When it is not in use (e.g., during a work break), shut it off and make sure that unauthorized persons do not use it.
- Materials placed against or near the product, or operating the product in areas where the ambient temperature exceeds 40°C (104°F) (such as storage rooms or garages) can interfere with its proper ventilation features, causing overheating and possible ignition of the materials or buildings.
- The people who use this high pressure washer must be in good physical condition and mental health, and not under the influence of alcohol and drugs. Never use this high pressure washer when you are fatigued, sick, or upset. If you feel tired, take a break.
- The components of this machine generate an electromagnetic field during operation, which may interfere with some pacemakers. To reduce the risk of serious or fatal injury, persons with pacemakers should consult with their physician and the pacemaker manufacturer before operating this machine. In the absence of such information, CRAFTOP does not recommend the use of this machine by anyone who has a pacemaker.
- The user of this machine is responsible for avoiding injury to third parties or damage to their property.

CAUTION

Prolonged exposure to cold and/or vibration may result in injury. Read and follow all safety and operation instructions to minimize risk of injury. Failure to follow instructions may result in painful wrist/hand/arm injuries.

Raynaud's Phenomenon may affect the fingers of certain individual if a person is exposed to vibration and cold. Exposure to vibration and cold may cause tingling and burning sensations, followed by loss of color and numbness in the fingers. The following precautions are strongly recommended:

- Keep your body warm, especially the head, neck, hands, wrists, ankles and feet.
- Maintain good blood circulation by performing vigorous arm exercises during frequent work breaks.
- Limit the hours of operation, have a rest when you feel tired or fatigued.
- If you experience discomfort, redness, and swelling of the fingers followed by whitening and loss of feeling, consult your physician before continuing exposing yourself to cold and vibration.

Overusing the muscles and tendons of the fingers, hands, arms, and shoulders may cause soreness, swelling, numbness, weakness, and extreme pain in those areas.

- Avoid using your wrist in a bent, extended, or twisted posture. Instead, try to maintain a straight wrist position. Also, when grasping, use your whole hand, not just the thumb and index finger.
- Take periodic breaks to minimize repetition and let your hands have a rest.
- Reduce the speed and force with which you do the repetitive movement.
- Do exercise to strengthen your hands and arm muscles.
- Immediately stop using the machine and other power tools, and consult a doctor if you feel tingling, numbness, or pain in the fingers, hands, wrists, or arms.

Clothing and PPE

WARNING

You must wear proper clothing and approved personal protective equipments (PPE) whenever you use a high pressure washer.



Eye and ear protection required.

Always wear appropriate safety goggles or safety glasses with side shields, and ear plugs or ear muffers as well when operating this machine.



Respiratory protection required.

Wear proper respiratory protection to protect you from chemical solvents, aerosols, oils, mold, and other more harmful airborne particles or allergens that may go unseen.



Hair protection required.

Operator who has long hair should tie up tie up and confine long hair with a hair net, cap, or hard hat for instance.



Hands protection.

Always wear appropriate gloves when you handle chemical detergent or operate high pressure washer.



Proper clothing.

Clothing must be snug-fitting but allow complete freedom of your movements.

Do not wear loose clothing, jewelry, scarf, necktie, or anything that could get caught in moving parts of the machine.



Foot protection.

Wear shoes or boots with anti-slip soles in your working area.

Personal protective equipments can not eliminate the risk of injury, but it will reduce the degree of injury if an accident does happen. Ask your high pressure washer dealer for help in choosing the right equipments.

Long-time or continuous exposure to high noise levels may cause permanent hearing impairment. Always wear approved hearing protection when operating a high pressure washer.

Handle your high pressure washer safely

WARNING

This pressure washer is to be used only by qualified operators. Minors and untrained persons should never be allowed to use this machine.

This high pressure washer must only be used to clean solid surfaces and other items that will not be damaged by high pressure water or the force of the spray jet. Do not use it for other purposes, since misuse may result in personal injury or property damage, including damage to the machine. Before using this machine to perform your work, always practice on an inconspicuous test area to understand when damage may occur.

Under any circumstance, you should not modify the original design of the high pressure washer without approval from the manufacturer. Always use genuine spare parts. Unauthorized modifications or accessories may lead to serious or even fatal injury.

Under any circumstance, you should not operate your high pressure washer if it is damaged, improperly adjusted or maintained, or not completely or securely assembled. Always inspect the high pressure washer before each use, and replace the parts immediately if it is worn, loose, leaking, damaged or missing.

- Never point the spray nozzle at persons, animals, electrical devices, plants or the machine itself.

- Do not let water in the pump, hose and other parts of the machine freeze.
- Do not run the machine dry. Be sure the water supply is completely turned on before operating the machine.
- Only use cold water.
- Always disconnect spark plug wire and place wire where it can not contact spark plug to prevent accidental starting when setting up, transporting, adjusting or making repairs except carburetor adjustments.
- Always hold the spray attachment firmly with two hands when performing your cleaning work. The spray jet causes reactive forces on the spray attachment in a direction opposite to the direction of the spray (recoil or kickback). Hold the spray attachment firmly with both hands in order to control the reactive forces, including any additional torque produced when using angled spray attachments or an angled spray wand.
- Do not operate a high pressure washer with one hand. Serious injury to the operator, helpers, bystanders or any combination of these persons may result from one-handed operation. **The high pressure washer MUST be used with two hands!**



- Always engage the trigger safety latch in the safe position when spraying is stopped even if only for a few moments.
- Never put hand or fingers over the spray tip while operating the machine.
- Operate the high pressure washer only in a well-ventilated outdoor area. Never start or run the engine inside a closed room or building. Exhaust fumes contain dangerous carbon monoxide.
- Never operate the machine at night, at times of heavy fog, or at any other times when your field of vision might be limited and it would be difficult to maintain a clear view of the working area.
- During rain, storms at times of strong or gale-force winds, or at any other times when weather conditions might make it unsafe to use this machine.
- Do not allow any material to block the cooling slots.

- Carefully plan your cleaning operation in advance. Never start cleaning until you have a clear work area.
- Maintain footing and balance at all times. Do not stand on slippery, uneven or unstable surfaces. Do not operate the high pressure washer in odd position or on a ladder or ladders.
- Keep exhaust area clear of flammable debris. Avoid contact hot surfaces during and immediately after operation.
- Do not use a pressure washer to clean pressure washer. The solid jet of high pressure water may damage parts of the machine.

Maintain in good work order

CAUTION
All high pressure washer service, other than the items listed in the maintenance section of this manual, should be performed by authorized service dealer or competent high pressure washer service personnel.

WARNING
Only use high-quality replacement parts in order to avoid the risk of accidents and damage to the power tool. If you have any questions in this respect, consult an authorized dealer or service center. CRAFTOP recommends the use of genuine spare parts. They are specifically designed to match your model and meet your performance requirements.

- To reduce the risk of injury, always shut off the engine before carrying out any maintenance or repairs or cleaning the machine, only excepts carburetor and idle speed adjustments.
- Do not use the product if the engine's switch does not turn it on or off. Any gasoline powered product that cannot be controlled with the engine switch is dangerous and must be repaired.
- Check the machine for loose/missing nuts, bolts, and screws. Tighten and/or replace as needed.
- Do not turn the engine over on the starter with the spark plug boot or spark plug removed since there is otherwise a risk of fire from uncontained sparking.
- Check fuel system for leaks due to fuel tank damage, especially if the machine is dropped accidentally. If damages or leaks are found, do not use the machine any more, otherwise serious personal injury or property damage may occur. Have your machine repaired by an authorized dealer or service center before using.
- Check fuel filler, lines, tank, cap, and fittings for cracks or leaks at regular intervals. Replace if necessary.
- Replace damaged, missing or failed parts before using it. Make sure all nuts, bolts, screws, hydraulic fittings, hose clamps, etc. is securely tightened. Always check the engine oil level is located at the proper position. Never operate this product when it needs to be repaired or when it is in poor mechanical condition.
- To reduce the risk of fire, do not service or store your machine near open flames.
- Only use a spark plug type which is approved by CRAFTOP and make sure it is in good condition.

- Inspect the ignition lead (insulation in good condition, secure connection).
- Check the condition of the muffler. To reduce the risk of fire and damage to hearing, do not operate your machine if the muffler is damaged or missing.
- Do not touch a the muffler, spark plug, or other metallic parts of the engine while the engine is running or immediately shutting down, otherwise burn injury will result.

Transporting your high pressure washer

Avoid accidental starting. Transport or move the machine only with empty fuel tank. Be sure the engine switch is off before transporting the machine.

When transporting your high pressure washer in a vehicle, properly secure the machine to avoid turnover, fuel spillage and damage.

Handle fuel with caution

Your high pressure washer use an unleaded gasoline for fuel.

WARNING
Gasoline is an extremely flammable fuel and its vapors can explode if ignited. Pay high attention when fueling, storing or handling, otherwise serious personal injury may result.



If spilled and ignited by a spark or other ignition source, gasoline can cause fire and serious burn injury or property damage.



Do not smoke or bring any fire or flame while handling fuel or while operating the high pressure washer. Note that combustible fuel vapor may escape from the fuel system.

- Equip the operating area with a fire extinguisher certified to handle gasoline or fuel fires.
- Fuel used in this pressure washer is poisonous. Always wear approved breathing protection when decanting fuel.
- Handle fuel and refuel in a well ventilated outdoor area on bare ground; store fuel in a cool, dry well ventilated place; and use an approved, marked container for all fuel purposes. Wipe up all fuel spills before starting the machine.
- Eliminate all sources of sparks or flame (i.e. smoking, open flames, or work that can cause sparks) in the areas where fuel is mixed, poured, or stored. Always shut off the engine and allow it to cool down before refueling.
- Always use with caution when handling fuel. Wipe up all spills and then move the high pressure washer at least 10feet (3 meters) from the fueling point before starting the engine.
- Always shut off the engine before refueling, let the machine cool in a non-combustible area, not on dry leaves, straw, paper, etc. Do not fuel a hot engine – fuel may spill and cause a fire.

- Loose a bit of the fuel cap carefully so as to allow any pressure build-up in the fuel tank to release slowly and avoid fuel spillage. Never remove the fuel cap when engine is running!
- Refilling or draining the fuel tank only in well-ventilated outdoor area. If you spill fuel, wipe the machine immediately. If fuel spills on your clothing, change it immediately.
- Replace / tight fuel tank and container caps securely to the proper position, make sure it does not loosen or come off due to the machine vibrations. Never operate the product without cap securely in place.
- To reduce the risk of serious or fatal burn injuries, check for fuel leakage. Avoid creating a source of ignition for spilled fuel. If fuel leakage is found, do not start or run the engine until leak is fixed.
- Do not inhale fuel fumes as they are toxic.
- Do not operate the product in explosive atmospheres, such as in the presence of flammable liquids, gases or dust. Power tools create sparks which may ignite the dust or fumes.
- Store the machine and fuel in an area where fuel vapors cannot reach sparks or open flames from water heaters, electric motors or switches, furnaces, etc.

Connect to water supply

- For use with fresh and clean water only. Do not use this product with other liquids. Suitable water temperature: 5°C (41°F) to 40°C (104°F).
- To minimize the amount of water spraying back on the pressure washer, the device should be placed as far as possible from the cleaning site during use.
- The water supply system must be protected against backflow.
- Never use this product with water contaminated with solvents (e.g. paint thinners, gasoline, oil, etc.).
- Always prevent debris from being drawn into the product by using a clean water source and an additional water filter, if required.
- Do not connect the pressure washer directly to a potable water system. If this device is connected to a potable water system, the system must be protected against backflow.
- If hooking up the pressure washer to a potable water system, a backflow preventer must be installed between the water tap and the hose. The design of the backflow preventer must comply with the applicable country-specific regulations.
- If potable water has passed through the backflow preventer, it can no longer be regarded as potable water.
- Follow the rules and guidelines issued by the local water supply company to prevent water flowing back from the pressure washer into the drinking water system.
- Do not use the machine with dirty water (i.e., water that contains sand, dirt or other particulate matter). If there is a risk that the water supply is dirty, find and use an alternative water source.

Before starting the engine

An area within a minimum radius of 50feet (15m) from the using the machine should be considered as a hazardous area, into which one should not enter. If necessary, yellow warning rope and warning signs should be placed around the perimeter of the area. When work is to be performed simultaneously by two or more persons, special care should also be taken to constantly look around or otherwise check for the presence and locations of other people working, so as to maintain sufficient safety distance between each person.

Before starting the engine, check that your machine is properly assembled and in good condition:

- The machine may only be used when all parts are in proper working order. Never operate your pressure washer if it is modified, damaged, improperly adjusted or maintained, or not completely or securely assembled. Never run the pressure washer with a modified or disconnected governor. Never attempt to modify the controls or safety devices in any way.
- Check the fuel system for leaks, paying high attention to visible parts such as the fuel tank cap, hose connections and the manual fuel pump (if equipped). If there are any leaks or other sign of damage, do not start the engine because of potential risk. Have your machine repaired by an authorized dealer or service center before using it again.
- Always use the high-pressure hose in good condition and not frayed, cracked, deformed or damaged in any way. Never operate the machine with a damaged or worn high-pressure hose, otherwise replace it before further use. Using a worn or damaged hose, or one that does not meet the high pressure requirements of the pressure washer, can result in personal injury.
- Inspect the spray wand and spray gun for damage before starting work. The spray trigger on the spray gun must move easily and automatically return to its starting position when released. The trigger locking latch must be in proper working condition. Keep the gripping surfaces clean at all times; free of pitch, oil, fuel, grease or resin in order for you to maintain a firm grip and properly control your pressure washer.
- Check that the spark plug boot is securely mounted on the spark plug. A loose boot may cause arcing which could ignite combustible fumes and cause a fire.
- Check the engine switch, choke lever, throttle lever, and trigger locking latch for proper function. The throttle lever must move freely.
- Never start or run the engine with the air cleaner assembly or the air filter removed.
- Remove any adjusting key or wrench before starting the pressure washer. A wrench or a key left attached to a rotating part of the pressure washer may result in personal injury.
- Keep all handles dry and clean, free from oil and dirt – for safe control of the machine.
- Always connect and turn on the water supply to the pump before starting the engine. Do not operate the pressure washer without water. Running the pressure washer without water will cause the pump overheated, which may result in permanent damage.

When starting the engine

WARNING

Your pressure washer is designed to be operated by one person only. Do not allow other persons in the work area even when starting.

- When starting engine, ensure that spark plug, muffler, fuel cap and air filter are in place and secured. Do not crank engine with spark plug removed.
- Do not operate this pressure washer in temperatures below 5°C. Operating pressure washer under the temperature of 5°C may cause damage to pump and other pressure washer parts. Damage to pressure washer by user misuse is not covered under warranty.
- To reduce the risk of eye or other injury from water spray and blown or sprayed objects, you must wear proper clothing and approved personal protective equipments (PPE) when you start the engine and operate the machine.
- Start the engine at least 10 feet (3m) from the fueling point, at a well-ventilated area, outdoors only.
- Keep bystanders, especially children and animals at least 50 feet (15m) from the operating point. If you are approached, immediately stop the engine and engage the trigger locking latch on the spray gun.
- Place the machine on firm ground in an open and well ventilated area. Make sure you have good balance and secure footing.
- When you pull the starter rope handle, do not wrap the starter rope around your hand. Do not allow the rope to snap back by itself, but guide the starter rope slowly back to permit the rope to rewind properly. Failure to follow this procedure may result in injuries to your hand or fingers and may damage the starter mechanism.
- If engine floods, move the throttle control to fast position and crank until engine starts.

information

When a new machine is first operated, in the first few minutes grease may come out of the gear case. But, since this is excessive grease, there is no cause of alarm. Just wipe it off with the engine stopped for next use

During operation

WARNING

Moving parts can amputate fingers or cause severe injuries. Keep hands, clothing and loose objects away from all moving parts. Always stop engine, disconnect spark plug, and make sure all moving parts have come to a complete stop before removing obstructions, clearing debris, or servicing unit.



To reduce the risk of fire resulting in serious or fatal injury or property damage, never spray flammable or combustible liquids.



To reduce the risk of explosion resulting in serious or fatal injury or property damage, never spray flammable or combustible liquids.



To reduce the risk of short circuiting, fire and electrocution, never direct the spray at electrical appliances and equipment, sockets or power cords.



Keep hands and feet and other parts of your body away from the water jet at all times. Severe laceration and fluid injection could result from contact with the water jet. Because of the high pressure and spray velocity, fluids can penetrate the skin and cause fluid injection and/or severe cutting injury. If an accident does occur and the spray appears to have penetrated the skin, seek emergency medical care. Do not treat as a simple cut.



Risk of Explosion.

Do not spray flammable liquids. Flammable liquids, fuel, and their vapors are explosive and can cause severe burns or death.



Risk of kickback.

To reduce the risk of injury from kickback, hold the gun and wand securely with both hands when work with the machine.



In the event of impending danger or in an emergency, switch off the engine immediately by pressing the engine stop switch backward to STOP position, and engage the trigger locking latch.

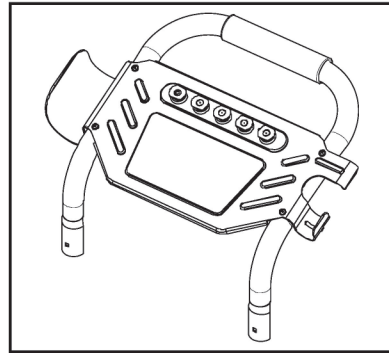
- Keep work area clean and well lit. Cluttered and dark areas incite accidents.
- Always hold the spray attachment firmly with both hands in order to control the reactive forces, including any additional torque produced when using angled spray attachments or an angled spray wand. The spray jet causes reactive forces on the spray attachment in a direction opposite to the direction of the spray (recoil or kickback).
- Never direct the high pressure jet toward yourself or other persons, not even to clean clothing or shoes. Do not direct the high pressure jet toward animals.
- Do not overreach. Keep proper footing and balance at all times. Special care must be taken in slippery conditions and when working on slopes or uneven ground.

- To reduce the risk of stumbling and loss of control, do not walk backward while operating the pressure washer.
- To reduce the risk of injury from loss of control, never operate the pressure washer while standing on a ladder or on any other unstable support.
- Always carry related tools, equipments, spare parts, and consumables with you:
 - Attached tools in the product package.
 - Personal protective equipments.
 - Properly reserved fuel
 - Spare parts (spare blade, etc.).
 - Things to notify your working are (rope, warning signs, etc.).
 - Whistle (for collaboration or emergency).
- Check that there are no bystanders, children, and animals in the general work area. If someone comes:
 - Guard against hazardous situations at all times. Warn adults to keep children and pets away from your working area. Be careful if you are approached. Injury may result from high pressure sprays.
 - If someone calls out or otherwise interrupts you while working, always be sure to shut off the spray gun and the engine before turning around. Avoid operating which people, especially children are nearby.
- Always be aware of surroundings and stay alert for possible hazards that you may not hear due to the noise of the machine.
- Make sure you always have good balance and secure footing. Place your feet slightly apart (slightly further apart than the width of your shoulders), so that your weight is distributed evenly across both legs, and always be sure to maintain a steady, even posture while working.
- Take special care in slippery conditions (wet ground), on slopes or uneven ground.
- Avoid dangerous conditions. Always operate this product on dry, solid and level ground.
- Never operate this product on slippery, wet, muddy, or icy surfaces. The operating area should be free from any obstructions. There should be plenty of room for handling, and the operator should stay alert at all times.
- Do not use this product in wet or damp areas or expose it to rain. Do not use it in areas where fumes from paint, solvents or flammable liquids pose a potential hazard.
- Watch out for obstacles (hose, plants, bricks, etc.) which could cause you to trip or stumble.
- Do not direct the high-pressure jet into places you cannot see. Watch the spray direction at all times, be extremely careful when cleaning tall obstacles (large vehicle, building, etc.), and check the other side of the obstacle before starting work.
- Never draw fluids into the pump that contain solvents or undiluted acids (e.g., gasoline, heating oil, paint thinner or acetone). These substances damage the materials used in the machine. The spray is highly combustible, explosive and poisonous.
- Be particularly alert and cautious when wearing hearing protection because your ability to hear warnings (shouts, alarms, etc.) is restricted.
- To reduce the risk of accidents, take sufficient break in good time to avoid tiredness or exhaustion.
- Work calmly and carefully in daylight conditions and only when visibility is good. Stay alert so as not to endanger others.
- To reduce the risk of serious or fatal injury from breathing toxic fumes, ensure proper ventilation when working in trenches, hollows or other confined locations.
- Never move or pull this product while spraying.
- To reduce the risk of accidents, stop work immediately in the event of nausea, headache, visual disturbances (e.g. reduced field of vision), problems with hearing, dizziness, deterioration in ability to concentrate. Apart from other possibilities, these symptoms may be caused by an excessively high concentration of exhaust gases in the work area.
- Operate your machine so that it produces a minimum of noise and emissions. Do not run the engine unnecessarily, accelerate the engine only when working. To avoid noise complaints, in general operate the machine between 8AM and 5PM on weekdays, and 9AM to 5PM on weekends, detail please refer to your local regulations.
- Do not operate your machine in the starting throttle position because engine speed cannot be controlled in this position. ®
- When operating the engine do not tip engine or equipment at an angle which will cause fuel to spill.
- To reduce the risk of fire, do not smoke while operating or standing near your machine. Note that combustible fuel vapor may escape from the fuel system. Always clean plant residue, chips, debris, leaves and excess lubricant off the engine and muffler. Note that stop the engine before you perform the cleaning work.
- Check the fuel system in particular for leaks and make sure the safety devices are working properly. Do not continue operating your machine if it is damaged. In case of doubt, consult your local authorized dealer or service center.
- The muffler and other parts of the engine (gear box, fins of the cylinder, spark plug) become hot during operation and remain hot for a while after stopping the engine. To reduce risk of burns, do not touch the muffler and other parts while they are hot. Keep the area around the muffler clean. Do not allow the high pressure hose to make contact with the muffler.
- Keep the engine and muffle free of grass, leaves, excessive grease, or carbon build-up to reduce the chance of a fire hazard.
- Before leaving the machine unattended: Shut off the engine.

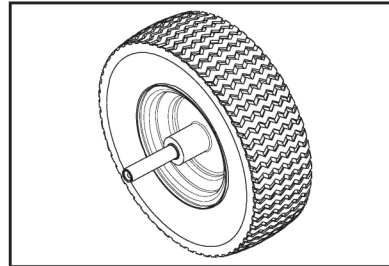
After finishing your work

- Shut off the engine after finishing work. Then turn off the water supply and squeeze the spray gun trigger to release trapped pressure. Engage the trigger locking latch when not in use.

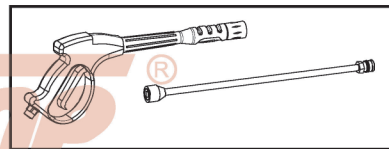
- Do not choke the carburetor to stop the engine.
- Disconnect the water intake hose between the machine and water supply.
- After the engine cool down, wipe away water with dry cloth, always clean dust and dirt off the machine. Do not use any grease solvents for this purpose.
- Do not use a pressure washer to clean pressure washer. The solid jet of high pressure water may damage parts of the machine.
- Store the product in a well-ventilated area, with an empty fuel tank. Fuel should never be stored or placed near the product.
- When storing the product for winter, ensure that it is stored indoors (at room temperature), in a dry place.



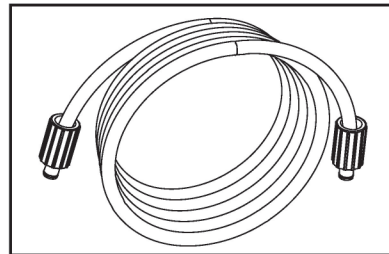
3. Wheel, Qty.=2



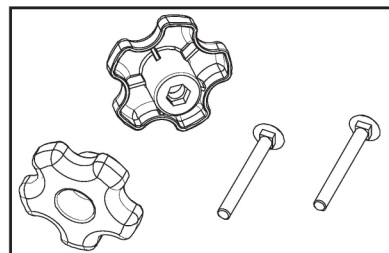
4. Spray gun, Qty.=1; Spray wand, Qty.=1



5. Pressure hose, Qty.=1



6. Knob with bolts, Qty.=2



7. Spray nozzle cleaner, Qty.=1.

Assembly

Your pressure washer requires some assembly. This machine ships from our factory without engine oil. It must be properly serviced with fuel and oil before operation. If you have any questions regarding the assembly of your pressure washer, please contact local authorized dealer or service center.

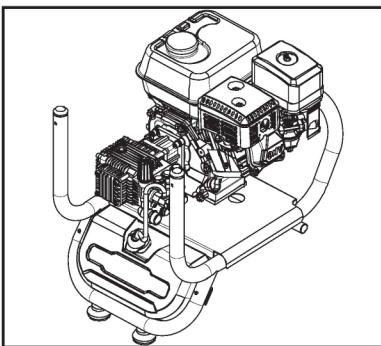
Proper PPE are required when you unpack the box and perform the assembly work.

You may need adjustable wrench, screw driver, unleaded gasoline, engine oil, standard garden hose, etc.

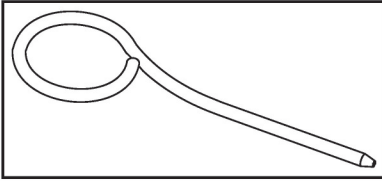
Parts included in the package

A standard high pressure washer package contains the items as illustrated/listed below:

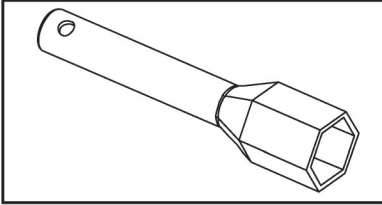
1. Main frame, Qty.=1



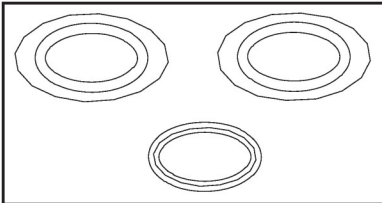
2. Handle, Qty.=1



8. Spark plug wrench, Qty.=1



9. Replacement O-ring, Qty.=1set (2 for pressure hose & 1 for quick connector).



10. Other items not shown:
- Owner's Manual, Qty.=1set.
 - Fasteners (Bolt, Nut, Washer), Qty.=1 set.

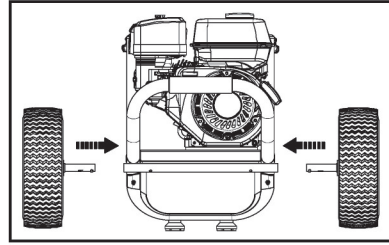
Unpack pressure washer

1. Set the shipping carton on a solid, flat surface.
2. Remove bubble wrap and other packaging materials.
3. Remove all parts from the box except the pressure washer.
4. Carefully cut each corner of the box from top to bottom.

Wheels installation

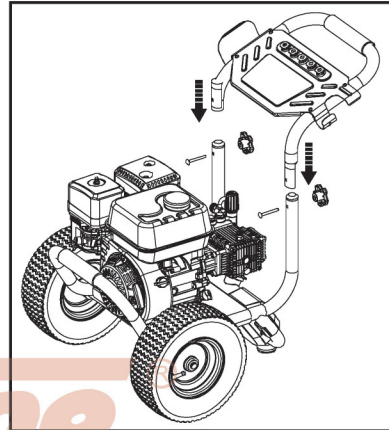
! NOTICE
Make sure that there is enough air in wheels before assembly!

1. Place the lower main frame on a solid, flat surface.
2. Lift the main frame with one hand to leave sufficient space for wheel installation.
3. Press the spring loaded pin on wheel axle, and then insert wheel axle into the tube on the lower main frame until the pin aligns with the fixation hole and snap in.
4. Repeat this procedure to install another wheel.

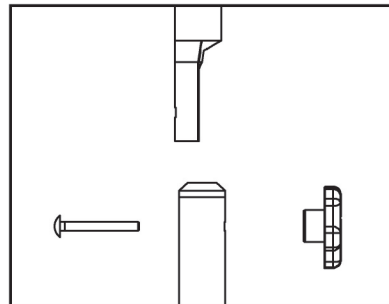


Upper handle assembly

1. Align two posts of upper handle with the lower frame.
2. Slide the upper handle downward into the tubes on lower frame until the fixation holes match together.



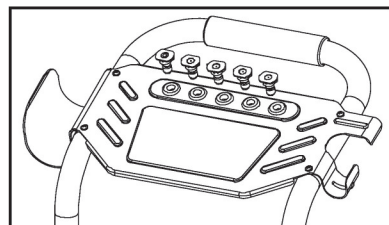
3. Insert the square neck screws, and tighten it securely with the knob.



4. Repeat this procedure for the opposite side.

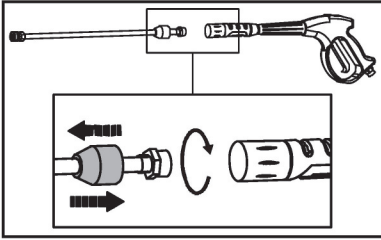
Spray nozzles placement

Insert the 5 nozzles into the nozzle pad on the top of upper main frame, so they are ready for next use.



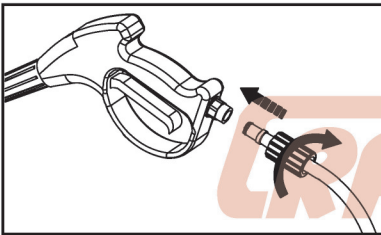
Gun and wand assembly

1. Pull back the rubber piece to expose the threaded fitting.
2. Attach the spray wand to the trigger gun.
3. Screw the trigger gun clockwise until the spray wand is secure. **DO NOT OVER-TIGHTEN.**
4. Move the rubber piece back.



Attach pressure hose to spray gun

1. Align one end connector of pressure hose with the connector on spray gun.
2. Rotate plastic nut clockwise to attach pressure hose to spray gun. Tighten the plastic nut securely. **DO NOT OVER-TIGHTEN.**



Pump oil

! NOTICE

Pump oil is not included.

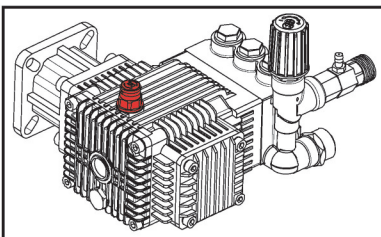
! NOTICE

Operate pump with low oil or no oil will cause permanent damage, and **VOIDS WARRANTY.**

! NOTICE

Running pump with no water will cause permanent damage!

The red plug on the pump is for shipping only. Replace the red plug with the black VENTED plug before first use.



1. Remove the red plug, and fill 400ml SAE15W-40 oil into the pump. Or fill oil at 1/2 level of the oil sight glass.
2. Screw the black VENTED plug onto the pump oil cap hole.

! NOTICE

Check the pump oil level before each use.

Engine oil

! NOTICE

This engine was shipped without oil. Before you start the engine, make sure you add oil according to the instructions in this manual. If you start the engine without oil, it will be damaged beyond repair and will not be covered under the warranty.

! NOTICE

New pressure washer has no engine oil in crankcase when they are delivered out of factory.

Do not attempt to crank or start the engine before it has been properly filled with the recommended type and amount of engine oil, otherwise damage to the pressure washer may result.

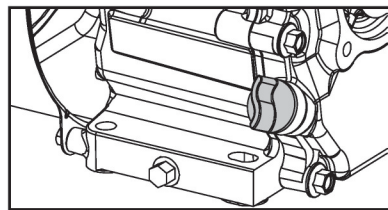
Always check the engine oil level before starting the engine, on a level surface.

! NOTICE

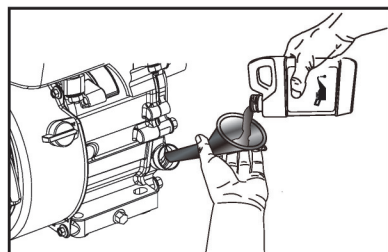
The recommended engine oil type is SAE 10W-30, oil crankcase capacity is 0.6L.

Add engine oil

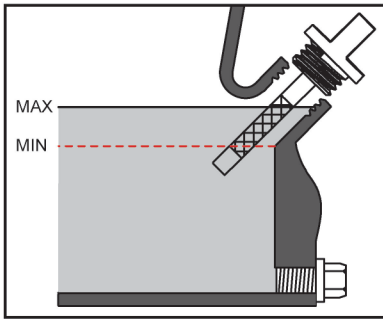
1. Place the pressure washer on a flat level surface.
2. Clean the oil gauge dipstick/cap and the area around it to ensure that no dirt falls into the crankcase.



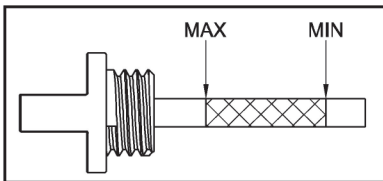
3. Turn the oil gauge dipstick/cap counterclockwise, remove it and clean it with a clean cloth.
4. Add engine oil into the crankcase through the oil gauge dipstick/cap installation port (a fuel funnel may be needed here). Do not overfill.



5. Fully reinsert the oil gauge dipstick and pull it out to check the oil level.



6. If the oil level is just at MIN marker or below, refill SAE 10W-30 oil through the dipstick hole until the oil level is between MIN and MAX marker.

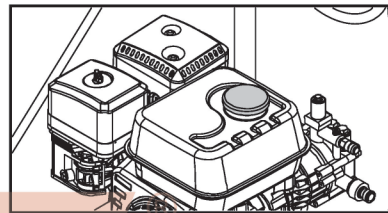


7. Reposition the oil gauge dipstick and tighten it by turning clockwise.

- Exhaust emission are controlled by the fundamental engine parameters and components (for example, carburetion, ignition timing and port timing) without addition of any major hardware or the introduction of an inert material during combustion.
- If you use a gasoline of a lower octane value than prescribed, there is a danger that the engine temperature may rise and an engine problem such as piston seizing may consequently occur.
- Unleaded gasoline is recommended to reduce the contamination of the air for the sake of your health and the environment.
- Poor quality gasoline or oil may damage sealing rings, fuel lines or fuel tank of the engine.
- Take care when handling gasoline. Avoid direct contact with the skin and avoid inhaling fuel vapor.

Fueling

1. Before fueling, clean the filler cap and the area around it to ensure that no dirt falls into the fuel tank.



Fuel and fueling

NOTICE

New pressure washer has no engine oil in crankcase when they are delivered out of factory.

Do not attempt to crank or start the engine before it has been properly filled with the recommended type and amount of engine oil, otherwise damage to the pressure washer may result.

Always check the engine oil level before starting the engine, on a level surface.

Fuel

WARNING

Gasoline is very flammable. Avoid smoking or bringing any flame or sparks near fuel. Make sure to stop the engine and allow it cool down before refueling the machine. Select outdoor bare ground for fueling and move at least 3 m (10 ft) away from the fuming point before starting the engine.

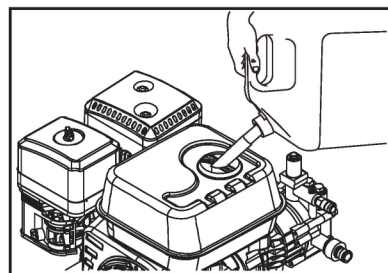
The recommended fuel type is regular unleaded gasoline with a minimum octane rating of 87 and an ethanol content of less than 10% by volume, fuel tank capacity is 3.6L.

This is a 4-cycle engine and does not require a gas/oil mixture. There is a separate reservoir for gas and a separate reservoir for oil.

NOTICE

Do not use mixed oil with gasoline for this machine

2. Turn the fuel cap by turning it counterclockwise, loose a bit of the fuel cap carefully so as to allow any pressure build-up in the fuel tank to release slowly. Never remove the fuel cap when engine is running!
3. Use clean, fresh, regular unleaded fuel with a minimum octane rating of 87 and an ethanol content of less than 10% by volume.
4. Slowly add fuel to the tank. Do not overfill. Fuel can be forced out of the tank as a result of expansion if it is overfilled, and can affect the stable running condition of the machine. When filling the tank, it is recommended to leave enough space for the fuel to expand. A minimum of 13mm (0.5inch) of space below the bottom of the filler neck to provide space for expansion.



5. Tighten the fuel cap clockwise securely after fuelling.
6. Wipe away any spilled fuel.

Detergent

NOTICE

This pressure washer is intended for use with special pressure washer detergents only. Follow the detergent manufacturer's directions, only use recommended detergents for pressure washers. Using detergents not specifically recommended for use with pressure washers can cause damage to pump and other pressure washer components. Damage caused to pressure washer by using non-recommended detergent is not covered under warranty.

NOTICE

Do not use powdered soaps which clog the injection system.

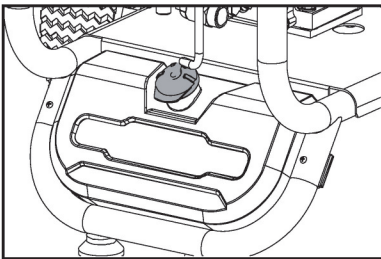
NOTICE

Working with a detergent ensures quick soaking of the dirt, and allows the high-pressure water to penetrate and remove the dirt more effectively. Always spray detergent on a dry surface, do not presoak the area. Soaking the surface dilutes the detergent and reduces its cleaning ability.

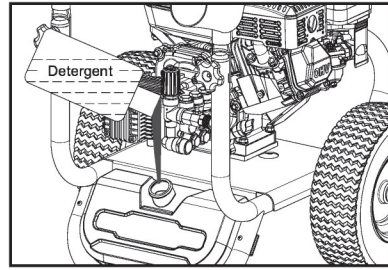
Some cleaning jobs can be completed by using only water, but for most, it is advantageous to use a detergent to penetrate and remove the dirt more effectively. When using pressure washer approved detergent, make sure the surface is clean and dry. Wetting the surface first is not recommended; it will dilute the detergent and will reduce the cleaning effectiveness.

Add detergent

1. If need, add the detergent to a separate container and dilute it with water at the ratio specified by the detergent manufacturer. Do not dilute it in the pressure washer detergent tank.
2. Turn the detergent tank cap counterclockwise to open the cap.



3. Add detergent into the tank. Do not overfill. If necessary, a funnel is recommended to use here. This pressure washer is intended for use with pressure washer detergents only.



4. Turn the detergent tank cap clockwise to tighten the detergent cap securely.
5. Wipe away any spilled detergent.

NOTICE

When finished with detergent, squeeze spray trigger and continue cleaning with clean cold water, this can help flush some detergent residue in the machine and accessories.

Cleaning with detergents

- When using detergent, always use the black detergent nozzle.
- When applying detergents, always operate the machine at a low water pressure. This provides a gentle application of the detergent, with the water pressure equivalent to a garden hose. Always test the detergent in a concealed area before use.
- The liquid detergent will be mixed with water automatically, and discharged through the detergent nozzle at a low pressure.
- Avoid spraying water onto the cleaning surface when it is hot surfaces or under direct sunlight, this will minimize the chances of the detergent damaging the painted surface.
- Do not let the detergent dry or it may damage the painted surface. Allow the detergent to remain on the surface for a short time before rinsing with clean water under high pressure.

Preparation

NOTICE

Always check the level of the engine oil prior to starting the machine. Failure to do so could cause the engine to seize if the oil is low or empty.

Pre-operation checklist

Follow the steps below before using the machine every time:

1. Check the pressure washer location.

NOTICE

This pressure washer must have at least 1.5 m (5 ft.) of clearance from combustible material. Leave at least 90 cm (3 ft.) of clearance on all sides of the pressure washer to allow for adequate cooling, maintenance and servicing. Place the pressure washer in a well ventilated area. Do not place the pressure washer near vents or intakes where exhaust fumes could be drawn

into occupied or confined spaces. Carefully consider wind and air currents when positioning pressure washer.

2. Check the engine oil level to make sure it is located at the proper position.
3. Check the fuel level and fill if necessary. Add fuel and check the fuel level to make sure there is sufficient gasoline in the fuel tank.
4. Select appropriate spray nozzle and make sure it is installed on the end of spray wand securely.
5. Securely connect high pressure hose to the pump outlet, and connect the other end to the spray gun.
6. Securely connect the garden hose to the pump inlet, and turn water on. The water supply must provide a minimum of 4GPM at 20PSI, otherwise the pump may be damaged.
7. If you are going to use detergent for cleaning, check/add the detergent in the detergent tank.
8. Water must be turned on prior to starting the washer, pull the spray trigger to ensure water is moving through the lines and out the nozzle without any leaks before starting the machine.
9. Check there is no leakage of oil, fuel, or water.
10. Double-check and observe all safety precautions and instructions in this manual prior to starting the machine.

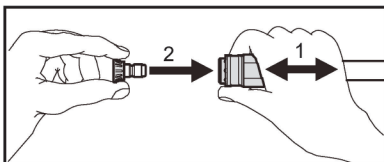
Install spray nozzle

! WARNING

Before removing, installing or adjusting any spray nozzle or accessory, make sure to shut off the pressure washer, relieve system pressure, and engage the spray trigger locking latch, otherwise severe injury may result.

The end of spray wand has a quick connect coupler, which allows you to connect, change, disconnect the spray nozzle easily.

1. Shut off the pressure washer and squeeze the spray trigger to relieve system pressure.
2. Engage the spray trigger locking latch.
3. Select appropriate spray nozzle for your cleaning work.
4. Remove all sands and debris from nozzle and coupler.
5. Pull the coupler collar (1) backward as far as it will go and hold it there.



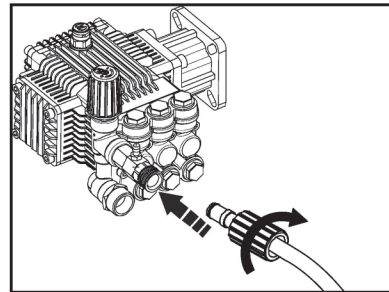
6. Push the spray nozzle (2) as far as it will go into the coupler.
7. Push the coupling sleeve forward as far as it will go.
8. Pull the spray nozzle and confirm that it is seated in the coupler securely.

! WARNING

Confirm that the spray nozzle is fixed securely in quick connect coupler on one end of spray wand. If the high pressure nozzle is not securely fixed, it can shoot out of the spray wand during operation and cause injury.

Connect the pressure hose to pump

1. Align one end threaded fitting on the hose with the outlet on pump. Assume another end threaded fitting on the hose has already been connected with the spray gun.
2. Fully insert/match the threaded fitting with the outlet.
3. Turn the plastic nut on the hose clockwise to tighten the hose securely to the pump.



Water supply (cold water only)

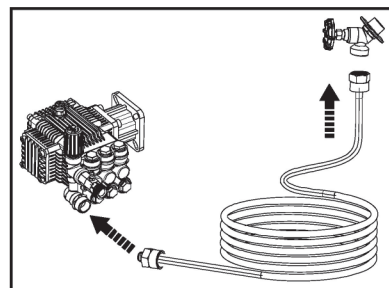
The unit must be used with cold water supply only. The water hose must be at least 1/2" (13 mm) in diameter.

The water flow rate must not fall below 18 liters per minute (LPM) (4 gallons per minute (GPM)), or the pump might be damaged. The flow rate can be determined by running water for one minute into an empty container.

The water supply temperature must not exceed 40°C (104°F).

Connect the garden hose to pump

1. Align one end threaded fitting on the hose with the inlet on pump. Assume another end threaded fitting on the hose has already been connected with the source of water supply, cold water only.
2. Fully insert/match the threaded fitting with the inlet.
3. Turn the plastic nut on the hose clockwise to tighten the hose securely to the pump.



Start and stop the engine

! WARNING

It is very dangerous to run a high pressure washer that equipped with broken parts or lacks of any parts. Before starting the engine, make sure that all the parts including cutting blades and blades guard are installed properly.

! WARNING

- To reduce the risk of serious or even fatal injury:
- Do not allow children or other unauthorized persons to attempt to start or otherwise use the machine.
 - Never allow children or unauthorized persons access to the machine.
 - Never leave the machine unattended while working or during work breaks
 - After work, store the machine in a safe, secure location out of the reach of children and other unauthorized persons
 - Observe safety precautions and instructions.

! WARNING

When starting the engine, make sure that your body does not contact with the muffler. A hot muffler can cause serious burns.

! NOTICE

Do not run the engine for more than 15 seconds without pressing the wand trigger, otherwise damage to the pump might occur.

! NOTICE

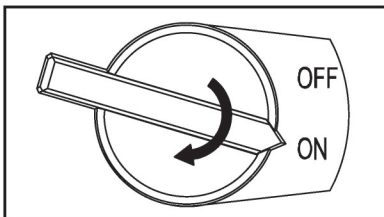
Do not crank engine with spark plug removed.

Start the engine

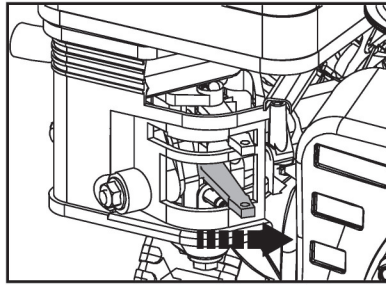
! WARNING

Never start or stop the pressure washer unless the water supply is turned on.

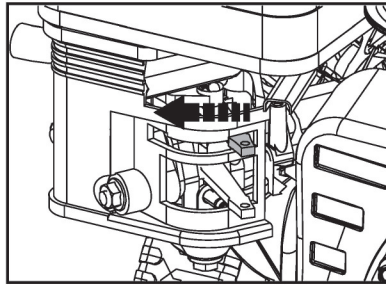
1. Finish the procedures described in the section of *Pre-operation check list*, make sure your machine is ready to start the engine.
2. Place the machine on a flat and firm ground in a clear area.
3. Squeeze spray gun trigger until there is a steady flow of water. This will allow air to escape from the hose in order to prime the pump.
4. Turn engine switch to "ON" position.



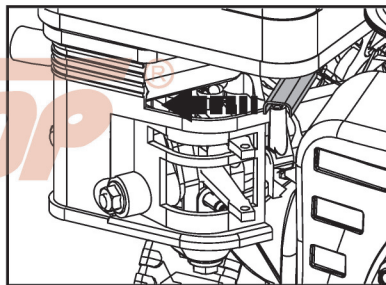
5. Move the fuel valve rightward to the "ON" position.



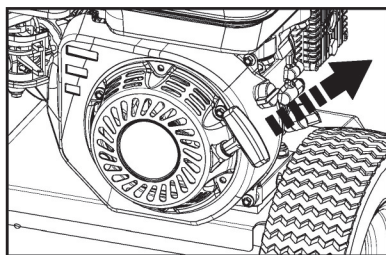
6. Move the choke lever leftward to "CLOSE" position.



7. Move the throttle lever leftward to its maximum setting.



8. Grip the starter rope handle securely, pull it slowly until resistance is felt, then pull it rapidly until start the engine (or 5 pulls maximum).

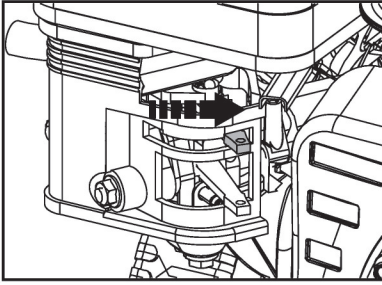


! NOTICE

Do not pull out the starter rope all the way, otherwise it might break.

Do not let the starter rope snap back by itself. Guide it slowly back into the housing, so that the starter rope can rewind properly.

9. After engine fires (or 5 pulls), move choke lever rightward to "OPEN" position.



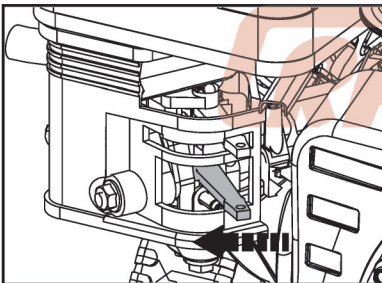
- Restart engine if necessary, and allow the machine to warm up at idle engine speed.

NOTICE
If engine does not start with choke lever in "OPEN" position after 5 pulls, repeat steps 3 ~ 9.

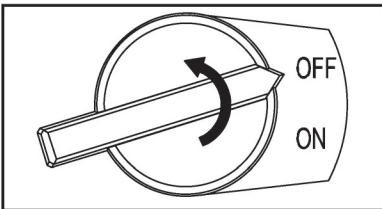
NOTICE
When restarting the engine immediately after stopping it, leave the choke lever in "OPEN" position.

Stop the engine

- If you are using detergent, after cleaning with detergent, fill the detergent tank with clean water. Spray water at a low pressure for one minute, so that all detergent is flushed out of the system.
- Move the fuel valve leftward to the "OFF" position.



- Let the engine run until fuel starvation has stopped the engine. This usually takes a few minutes.
- Turn engine switch to the "OFF" position.



- Squeeze and hold the spray trigger until water only drips from the spray nozzle and the system is depressurized.
- Turn off water supply and unplug all hoses.

WARNING
Never start or stop the pressure washer unless the water supply is turned on.

WARNING

Always ensure that the fuel valve and the engine switch are in the "OFF" position when the engine is not in use.

WARNING

If engine does not stop when engine stop switch is moved to "STOP" position, move choke control lever to "CLOSE" position to stall engine. Have your local authorized dealer or service center to repair engine stop switch before using the machine again.

- Turn off the water supply and disconnect the water supply from the water inlet.
- Point spray gun in safe direction, push trigger lock, and squeeze spray gun trigger to relieve retained high water pressure. Engage the trigger safety lock on the spray gun
- Disconnect the garden hose from pump.
- Disconnect the pressure hose from pump and pressure gun for storage. For long term storage instructions, see Instruction Manual.
- Rewind the pressure hose and attach it to the hose hook.
- Disconnect the gun and wand, then insert them into upper gun holder.
- Fold the handle and store.

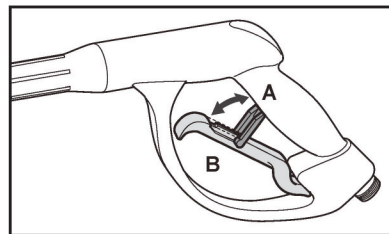
NOTICE
After turning off the machine, wait for 20 minutes to prevent plastic parts from being burned by muffler, then fold the handle.

Operation

NOTICE
Do not operate this pressure washer in temperatures below 5°C. Operating pressure washer below 5°C may cause damage to the pump and other pressure washer parts.

Activate spray trigger

- Direct the spray attachment towards the surface to be cleaned.
- Release the trigger locking latch (A).
- Squeeze the spray trigger (B).

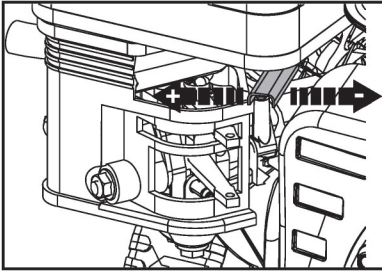


Deactivate spray trigger

- Release the spray trigger (B)
- Engage the trigger locking latch (A).
- Squeeze the spray trigger (B) slightly to make sure the trigger locking latch (A) is in the right locking place.

Adjust water pressure

The water pressure is regulated by the throttle lever.



Moving the throttle lever towards the left (Fast direction) will increase the engine speed, thus increasing the water pressure.

Moving the throttle lever towards the right (Slow direction) will decrease the engine speed, thus decreasing the water pressure.

information

When moving the engine throttle to the minimum (rightmost), the output power of engine is low. Please don't operate the machine, if not, the machine will be flameout stop due to low engine output power.

Working techniques

This section describes basic working technique with safety rules for using a high pressure washer to perform your cleaning work. This information is no substitute for professional skills and experience. If you get into a situation where you feel unsafe, stop and seek expert advice. Do not attempt any task that you feel unsure of!

WARNING

Engine exhaust is hot, and it can cause serious burns. Engine exhaust contains Carbon Monoxide (CO), a poison gas. Breathing CO can cause unconsciousness, serious injury, or death. Always position your machine so that exhaust is directed away from your face and body.

information

Observe all country-specific or municipal rules and regulations for trimming hedges.

Do not use your machine during other people's normal rest periods.

Distance from cleaning surfaces

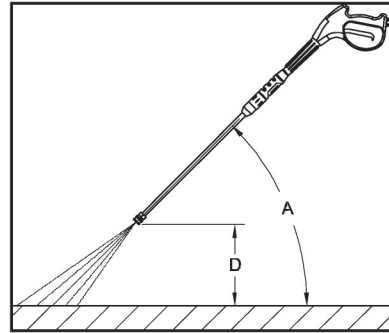
The distance between the spray nozzle and the cleaning surface is one of the important factors that affect the impact force of the water. The impact force of the water increases as the spray nozzle is moved closer to the surface.

You can vary the impact force by controlling:

- The nozzle's spray pattern.
- The nozzle's angle to the cleaning surface.
- The nozzle's distance from the cleaning surface.

Never use a narrow high impact stream on a surface that is susceptible to damage. Avoid spraying windows with a narrow high impact stream or turbo nozzle. Doing so may break the glass.

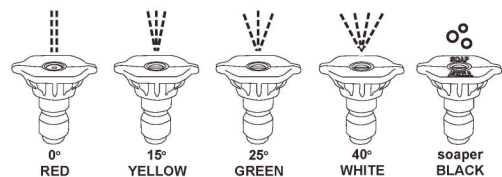
1. Before triggering the spray gun, select a spray nozzle with a wide spray pattern.
2. Place the nozzle approximately 6~8inch (16-20cm) away from the cleaning surface.
3. Hold the nozzle at a 45 degree angle (A) to the cleaning surface with a distance (D) 6~8inch (15~20cm), then trigger the spray gun.



4. Vary the pattern spray angle and the distance to the cleaning surface until optimum cleaning efficiency is achieved without damaging the surface.

Spray nozzles selection

The spray pattern can be adjusted by installing an appropriate spray pattern nozzle. The pressure washer comes with five (5) types of high-pressure nozzles that can be connected to the end of spray wand, 0°, 15°, 25°, 40° and a detergent nozzle. The spray tips vary the spray pattern as shown below.



- 0° (red) - Thin and powerful stream of water for difficult stains and debris removal.
- 15° (yellow) - Thin angled spray for focused cleaning.
- 25° (green) - Medium angled spray for focused cleaning.
- 40° (white) - Large fan pattern for wider cleaning applications.
- Soap / Detergent (black) - This nozzle must be used in conjunction with a cleaning detergent at low pressure. Only use this nozzle when using a detergent or cleaning solution.

WARNING

Before removing, installing or adjusting any spray nozzle or accessory, make sure to shut off the pressure washer, relieve system pressure, and engage the spray trigger locking latch, otherwise severe injury may result.

Maintenance and care

Maintenance schedule

IMPORTANT! Time intervals shown are maximum. Actual use and your experience will determine the frequency of required maintenance.		Before starting to work	Daily and/or at the end of work	Whenever tank is refilled	Weekly	Monthly	Yearly	if there is a failure	if there is a damage	As required
		System / Component	Maintenance Procedure							
Complete machine	Visual inspection (Condition, leak)	√								
	Clean		√							√
Engine switch, Throttle lever, Fuel lever, Choke lever, Spray trigger, Trigger locking latch	Function test	√				√	√			
Air filter	Inspect	√				√				
	Clean				√					
	Replace						√		√	√
Fuel system	Inspect	√			√					
	Clean		√							√
	Replace								√	
Fuel filter	Inspect	√				√				
	Replace						√		√	√
Fuel cap gasket	Inspect	√			√					
	Replace								√	
Fuel tank	Clean									
Recoil Starter Rope	Inspect	√			√					
	Clean		√							
Carburetor	Inspect									
	Adjust									√
Cooling system	Inspect	√			√					
	Clean		√							
Spark Plug	Inspect	√			√					
	Clean		√							
	Adjust									√
	Replace								√	√
Fasteners, inclusive of Bolts, Screws, Nuts	Inspect	√			√					
	Tighten									√
	Replace								√	
Safety Information Label	Replace								√	

WARNING

Moving parts can amputate fingers or cause severe injuries. Keep hands, clothing and loose objects away from all moving attachments.

Always stop engine, disconnect spark plug, and make sure all moving parts have come to a complete stop before removing obstructions, clearing debris, or servicing unit.

Allow the machine to cool down before performing maintenance service. Wear gloves to protect hands from sharp edges and hot surfaces.

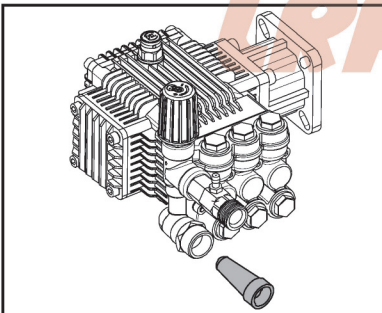
Before cleaning, inspecting or repairing the machine, make sure that engine has been stopped and cooled down. Disconnect the spark plug to prevent accidental starting.

Water inlet filter

This pressure washer is pre-installed a water inlet filter.

This water filter must be kept clean at all times, otherwise it will restrict the water flow to the pressure washer and may damage the pump.

1. Remove the quick connect coupling from the water inlet.
2. Clean the filter with a soft plastic brush or rinse it in water. Replace it if it is damaged.
3. Reinstall the water filter.
4. Reinstall the quick connect coupling.




NOTICE

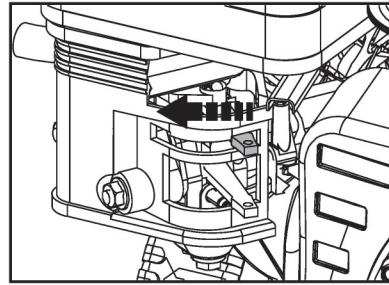
DO not operate this pressure washer without the water inlet filter in place as deposits could build up internally and affect the functioning of the machine.

Air filter

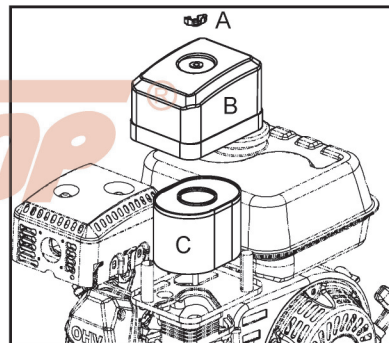
NOTICE

The air filter should be checked after prolonged storage, the following steps should be done when checking the air filter. It is recommended to replace the air filter once every spring.

1. Move choke lever leftward to "CLOSE"  position. This prevents dirt from entering into the carburetor throat when the air filter is removed.



2. Brush accumulated dirt from air filter area.
3. Loosen and remove the wing nut (A) from the top of air filter cover.
4. Remove air filter cover (B). Brush dirt from inside cover.
5. Remove the air filter (C), wash filter in kerosene, squeeze kerosene out, soak filter in engine oil and squeeze engine oil out. Replace air filter if it is damaged, fuel soaked, or very dirty.
6. Dry the air filter completely before re-installing.
7. Install air filter.
8. Install air filter cover.
9. Screw in the wing nut and tighten it securely. Do not over-tighten.

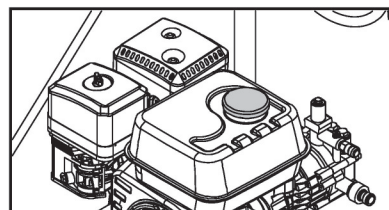


Fuel filter

DANGER

Fuel is very flammable. Use extreme care when mixing, storing or handling, or serious personal injury may result.

1. Use a clean rag to remove loose dirt from around fuel cap and empty fuel tank.
2. Use a fuel line hook to pull the fuel line and filter from the tank.
3. Remove the used fuel filter from the line, replace it with a new fuel filter.
4. Install the new fuel filter.



Change engine oil

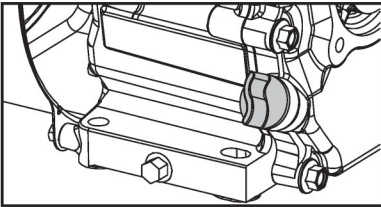
NOTICE

Change engine oil when the engine is warm.

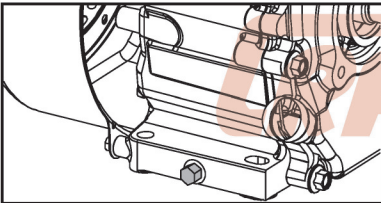
NOTICE

The engine oil should be replaced after the first 20 hours of operation, or after the first month of use. After that, it should be replaced every 100 hours or every 6 months.

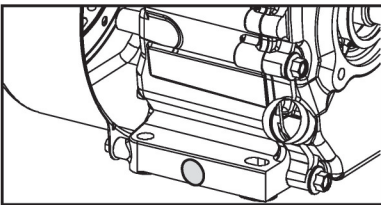
1. Place the pressure washer on a flat level surface.
2. Turn off the engine
3. Place an oil pan under the drain oil port.
4. Clean the oil gauge dipstick/cap and the area around it to ensure that no dirt falls into the crankcase.



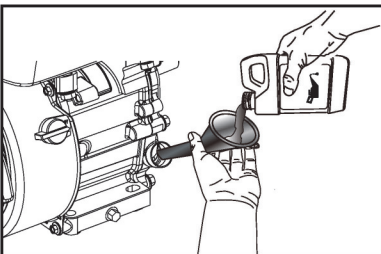
5. Turn the oil gauge dipstick/cap counterclockwise, remove it and clean it with a clean cloth.



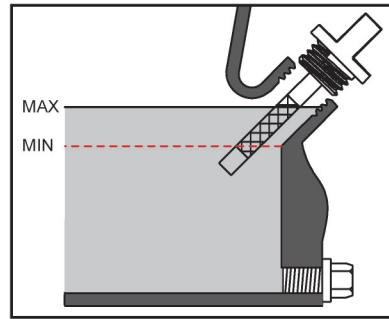
6. Remove the hexagon head drain plug, allow the oil to drain completely.



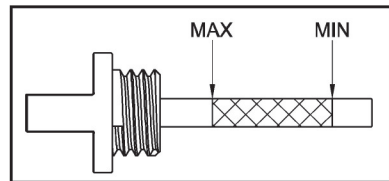
7. Reinstall the hexagon head drain plug.
8. Add engine oil into the crankcase through the oil gauge dipstick/cap installation port (a fuel funnel may be needed here). Do not overfill.



9. Fully reinsert the oil gauge dipstick and pull it out to check the oil level.



10. If the oil level is just at MIN marker or below, refill SAE 10W-30 oil through the dipstick hole until the oil level is between MIN and MAX marker.

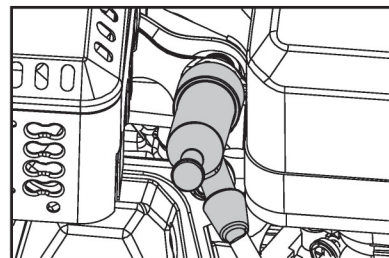


11. Reposition the oil gauge dipstick and tighten it by turning clockwise.

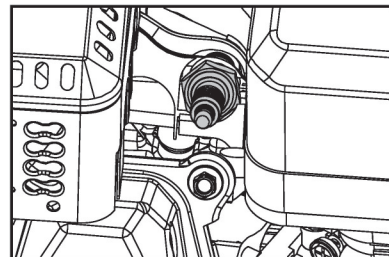
Spark plug

Starting failure and misfiring are often caused by a fouled spark plug. Clean the spark plug and check that the plug gap is in the correct range. For a replacement plug, use the correct type.

1. Disconnect the spark plug wire by pulling it off the spark plug.

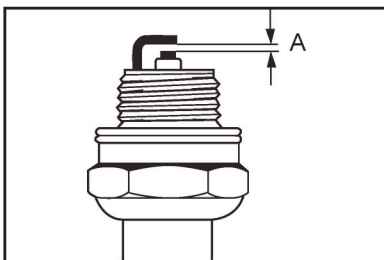


2. Using the spark plug wrench, remove the spark plug by turning counterclockwise.



3. Check spark plug condition for fouling, worn and rounded center electrode.

4. Check to see if there is carbon sediment build-up, if so, remove it. If the carbon sediment is excessive, replace the spark plug.
5. Clean the plug or replace with a new one. Do not clean it with sand blast. Remaining sand will damage the engine.
6. Measure the electrodes clearance using a feeler gauge. The spark plug electrode clearance (A) should be 0.7~0.8 mm. If the clearance exceeds 0.8 mm, replace the spark plug.



7. According to Technical Specification, adjust spark plug gap by bending outer electrode. Replace the spark plug with a new one when necessary.
8. Reconnect the wire to spark plug.

NOTICE

Using any spark plug other than those designated in this manual may result in the engine failing to operate properly, or in the engine becoming overheated and damaged.

Carburetor adjustment

The carburetor has been adjusted at the factory with a standard setting.

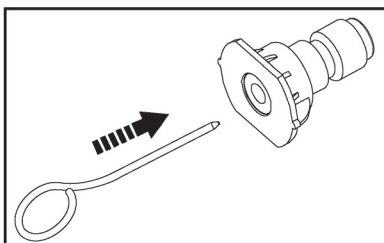
This setting provides an optimal fuel-air mixture under most operating conditions.

NOTICE

Carburetor adjustments must be performed by an authorized dealer or service center.

Clean the spray nozzle

1. Detach the spray nozzle from the spray wand.
2. Use a small wire rod (paper clip) to loosen up any particles in the spray nozzle and flush with water.



Clean the pressure washer

NOTICE

Do not spray the pressure washer with water. Water can contaminate the fuel system and can enter the

engine through the cooling slots and damage the engine.

1. Use a damp cloth to clean exterior surfaces of the pressure washer.
2. Use a soft bristle brush to remove dirt and oil.
3. Use an air compressor (25 PSI) to clear dirt and debris from the pressure washer.
4. Inspect all air vents and cooling slots to ensure that they are clean and unobstructed.

Repair

Users of this machine should only carry out the maintenance and service work described in this Owner's Manual. CRAFTOP recommends that other repair work be performed by authorized dealer and service center using genuine CRAFTOP replacement parts.

Storage

DANGER

Do not store the machine in enclosure where fuel fumes may accumulate or reach an open flame or spark, otherwise serious personal injury may result.

WARNING

The muffler and surrounding covers become hot during operation. Always keep exhaust area clear of flammable debris during transportation or when storing, otherwise serious property damage or personal injury may result.

NOTICE

Do not store your machine for periods of time 30 days or longer without performing protective storage maintenance which includes the following procedure:

Pressure washer storage

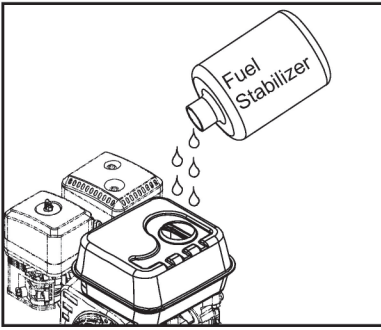
1. Allow the pressure washer to cool completely before storage.
2. Turn off the fuel supply at the fuel valve.
3. Clean the pressure washer according to the instructions described in this manual.
4. Store the machine in a clean, dry area out of direct sunlight.

Engine stored for less than 30 days

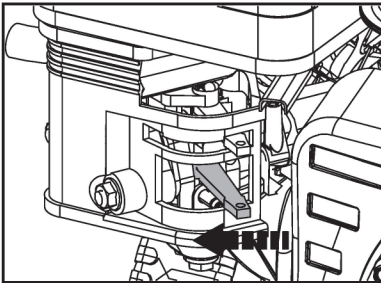
1. Allow the engine to cool completely before storage.
2. Clean engine according to the instructions described in this manual.
3. To extend the fuel storage life, add a properly formulated fuel stabilizer to the tank.
4. Ensure the fuel valve is set to the "OFF" position.

Engine Stored for Over 30 Days

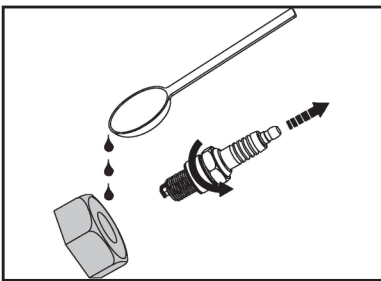
1. Add a properly formulated fuel stabilizer to the tank.



2. Run the engine for a few minutes so the treated fuel cycles through the fuel system and carburetor.
3. Turn the fuel valve to the "OFF" position.



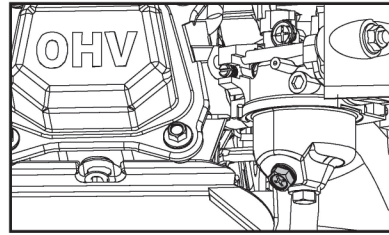
4. Let the engine run until fuel starvation has stopped the engine. This usually takes a few minutes.
5. The engine needs to cool completely before cleaning and storage.
6. Clean the engine according to the Maintenance section.
7. Change the oil.
8. Remove the spark plug and pour about 0.5oz. (14ml) of SAE 10W-30 oil into the cylinder. Crank the engine slowly to distribute the oil and lubricate the cylinder.



9. Reattach the spark plug.

If you wish to drain the fuel instead of adding fuel stabilizer, please follow these steps below:

1. Turn fuel valve to the "OFF" position.
2. Remove drain hex screw from the carburetor.
3. Turn fuel valve to the "ON" position and drain the fuel from the tank, carburetor and hose.
4. Reposition the carburetor drain hex screw once the fuel is completely drained.



Winter Storage

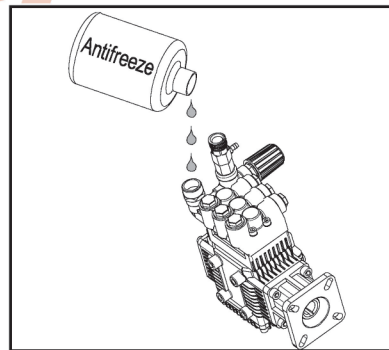
Pressure washer might be damaged if subjected to freezing temperatures. This type of damage is not covered by the limited warranty. To avoid possible damages, use a small amount of antifreeze.

Protect your pressure washer parts from freezing.

In order to prevent the pump from freezing you will need to insert RV antifreeze.

You will need approximately 6oz. (177.4ml) of RV antifreeze, a funnel, and approximately 12 inch (305mm) of garden hose or equivalent.

1. Apply all storage instructions from previous sections.
2. Make sure pressure washer hose is free of all water before storing for winter.
3. Pour the antifreeze into the funnel, and then pull on the engine recoil starter to create suction in the pump housing.
4. Place the machine on its side with the water inlet facing upwards, pour 1/4 cup of antifreeze into the water inlet.



5. Pull the recoil starter several times
6. Disconnect spark plug wire, and then pull recoil starter several times to circulate the antifreeze in the pump system until antifreeze comes out of the pump outlet.
7. Reconnect spark plug wire.

! NOTICE

Always store and transport high pressure washers in a stable, horizontal position. Support gear case and cutting blades to prevent excessive flexing, which may cause damage to these components. Always install blade cover when transporting or storing unit.

Disposal

Observe all country-specific and local waste disposal rules and regulations.

CRAFTOP products must not be thrown in the garbage bin. Take the machine, accessories and packaging to an approved disposal site for environment friendly recycling.

Dispose of all packing material in an environmentally responsible manner.

Contact your local recycling center or factory to dispose used engine oil in a proper way.



DANGER

Plastic bags can be a danger to young children, dispose of immediately!

Contact your local authorized dealer or service center for the latest information on waste disposal.

CRAFTOP®

Troubleshooting guide

DANGER

Fuel vapors are extremely flammable and may cause fire and/or explosion. Never test for ignition spark by grounding spark plug near cylinder plug hole, otherwise serious personal injury may result.

Problem	Cause	Solution
Engine will not start (or stops while operating)	<ol style="list-style-type: none"> 1. Low-oil shutdown 2. Engine switch not in "ON" position. 3. Pressure built up in the hose 	<ol style="list-style-type: none"> 1. Fill engine with SAE 10W-30 engine oil 2. Turn switch "ON" 3. Squeeze trigger while starting
If engine sounds abnormally, it could be overloaded.	<ol style="list-style-type: none"> 1. Nozzle partially blocked 2. Excessive pressure 	<ol style="list-style-type: none"> 1. Clean nozzle using nozzle cleaning tool or paper clip 2. Shorten the spring coil of the reflux valve
Engine is running but pump won't build maximum pressure or has irregular pressure	<ol style="list-style-type: none"> 1. Faucet closed 2. Machine has been stored in freezing temperatures 3. Inadequate water supply 4. Water inlet screen clogged 5. Kink in garden hose 6. Wand tip worn or damaged 7. Air in pump 8. Engine speed not set to maximum position 	<ol style="list-style-type: none"> 1. Open faucet 2. Thaw out unit completely including hose, gun and wand. 3. Provide a minimum of 4 GPM at 30 PSI 4. Clean screen 5. Straighten garden hose 6. Replace wand 7. Let it run with gun open and wand removed until steady stream of water is released 8. Set throttle to maximum position
No intake of chemicals	<ol style="list-style-type: none"> 1. Injection tube not securely inserted into unit 2. Tube cracked or split 3. Wrong nozzle 4. Nozzle blocked 5. Clogged chemicals injector 	<ol style="list-style-type: none"> 1. Push firmly into injector fitting 2. Replace tube[®] 3. Switch to low pressure nozzle 4. Clean nozzle 5. Dissolve by running warm water
Trigger will not move	<ol style="list-style-type: none"> 1. Gun safety lock engaged 	<ol style="list-style-type: none"> 1. Release safety lock
Water in crankcase	<ol style="list-style-type: none"> 1. High humidity 2. Worn seals 	<ol style="list-style-type: none"> 1. Change oil more frequently 2. Change the oil seals
Noisy operation	<ol style="list-style-type: none"> 1. Worn bearings 2. Air mixed with water 	<ol style="list-style-type: none"> 1. Change the bearing 2. Check inlet lines for restrictions and/or proper sizing
High crankcase temperatures	<ol style="list-style-type: none"> 1. Wrong grade of oil 2. Improper amount of oil in crankcase 	<ol style="list-style-type: none"> 1. Use SAE 10W-30 engine oil 2. Adjust oil level to proper amount
Rough/pulsating operating with pressure drop	<ol style="list-style-type: none"> 1. Inlet restriction 2. Air mixed with water 	<ol style="list-style-type: none"> 1. Check system for stoppages, air leaks, correctly sized inlet, plumbing to pump 2. Check inlet lines for restrictions and/or proper sizing

information

If your high pressure washer seems to need further service, please consult with your local authorized dealer or service center.

CRAFTOP®

WWW.CRAFTOP.COM

CRAFTOP®



Manual del usuario

Hidrolavadora de alta presión

GHW3400A



EXPERTS
IN EQUIPMENTS OF
GARDENING AND AGRICULTURE

ESPAÑOL
VERSIÓN: 00-202203

Le agradecemos la compra de la lavadora de alta presión CRAFTOP

Esta hidrolavadora de alta presión ofrece una tecnología avanzada al incorporar muchas características convenientes para que usted pueda realizar su trabajo de limpieza diario.

Antes de intentar utilizar esta hidrolavadora de alta presión, lea atentamente este manual hasta que comprenda completamente y pueda seguir todas las normas de seguridad, precauciones e instrucciones de funcionamiento y mantenimiento. Ello le ayudará a familiarizarse con esta hidrolavadora y a reconocer y evitar situaciones que podrían ponerle en peligro a usted y a otras personas. **Un uso descuidado o inadecuado puede causar lesiones graves o incluso mortales.**

Si tiene alguna pregunta sobre su limpiadora de alta presión y este manual, póngase en contacto con su distribuidor o centro de servicio autorizado local. Siempre agradecerán sus preguntas, sugerencias y críticas constructivas.

Esperamos que disfrute de esta limpiadora de alta presión y le deseamos muchos años de trabajo de limpieza seguro y agradable.

CRAFTOP CANADA LTD.

The logo for CRAFTOP is displayed in a stylized, bold, orange font. The word "CRAFTOP" is written in a slanted, italicized style. A registered trademark symbol (®) is located to the right of the word.

Índice de contenidos

Guía de uso de este manual	30
Resumen del producto	32
Especificaciones técnicas	36
Precauciones de seguridad e instrucciones.....	37
Montaje.....	45
Aceite de la bomba.....	47
Aceite de motor	47
Combustible y repostaje.....	48
Detergente.....	49
Preparación	50
Arrancar y parar el motor	51
Operación.....	53
Técnicas de trabajo.....	54
Mantenimiento y cuidado	55
Reparación.....	58
Almacenamiento.....	58
Eliminación.....	60
Guía para la resolución de problemas	61

Guía de uso de este manual

Este Manual del Propietario se refiere a una hidrolavadora de alta presión CRAFTOP, también llamada producto, máquina o unidad en este Manual del Propietario.

Toda la información, las especificaciones, las descripciones y las ilustraciones de este manual son tan precisas como se conocen en el momento de su publicación, pero están sujetas a cambios sin previo aviso. Debido al continuo desarrollo del producto, puede haber diferencias entre su máquina y la información de este manual. La información, las especificaciones, las descripciones y las ilustraciones de este manual no suponen ninguna obligación o compromiso legal.

Las ilustraciones son sólo orientativas y se utilizan únicamente para ayudar a explicar las descripciones e instrucciones del texto. Las ilustraciones pueden incluir equipos y accesorios opcionales, y pueden no incluir todo el equipamiento de serie.

Algunos signos o símbolos de la máquina pueden ser un poco diferentes y se refieren a los requisitos especiales de certificación para ciertos mercados.

Cualquier modificación técnica de la máquina que se haya introducido después del plazo de redacción, consulte a su distribuidor local para obtener más información complementaria.

Todas las precauciones e instrucciones de seguridad descritas en este manual deben ser observadas durante la operación de la lavadora de alta presión, y todas las regulaciones, normas y ordenanzas de seguridad federales, estatales y locales aplicables también deben ser observadas.

No venda, preste o alquile la máquina sin este manual del propietario. Asegúrese siempre de incluir este Manual del Propietario junto con esta máquina, y asegúrese de que cualquier persona que la utilice entienda la información contenida en este manual.

Signos y símbolos en este manual

PELIGRO

Los textos con este símbolo contienen información sobre situaciones peligrosas que pueden causar la muerte o lesiones graves si no se evitan.

ADVERTENCIA

Los textos con este símbolo contienen información sobre situaciones peligrosas que pueden causar la muerte o lesiones graves si no se evitan.

PRECAUCIÓN

Los textos con este símbolo contienen información sobre situaciones de peligro que pueden causar lesiones leves o moderadas si no se evitan.

AVISO

Los textos con este símbolo informan sobre situaciones que pueden causar daños en la lavadora de alta presión si no se evitan.

información

Los textos con este símbolo contienen información complementaria.



¡Debilitamiento o alerta!

Deben observarse precauciones especiales de seguridad al trabajar con esta máquina porque tiene piezas que giran a gran velocidad, utiliza combustible inflamable, produce agua a alta presión y expulsa humos venenosos.

Lea y comprenda el Manual del Propietario.

Lea atentamente este manual de instrucciones, asegúrese de que comprende completamente y puede seguir todas las normas de seguridad, precauciones e instrucciones de funcionamiento y mantenimiento antes de intentar utilizar esta hidrolavadora, ¡su incumplimiento puede causar lesiones graves o incluso mortales!



Llevar ropa adecuada.



Se requiere protección para los ojos y los oídos.

Utilice siempre gafas de seguridad adecuadas o gafas de seguridad con protecciones laterales, así como tapones o silenciadores para los oídos cuando utilice esta máquina.



Se requiere protección para el cabello.

El operario que tenga el pelo largo deberá atarlo y confinarlo con una redcilla, un gorro o un casco, por ejemplo.



Se requiere protección respiratoria.

Lleve una protección respiratoria adecuada para protegerse de los disolventes químicos, los aerosoles, los aceites, el moho y otras partículas o alérgenos más dañinos en el aire que puedan pasar desapercibidos.



Protección de las manos.

Utilice siempre guantes adecuados cuando manipule detergente químico u opere una lavadora de alta presión.



Se requiere protección para los pies.

Use zapatos o botas con suela antideslizante en su área de trabajo.



Peligro de incendio.

Riesgo de incendio.

El material inflamable o sus vapores pueden incendiarse fácilmente si están cerca del calor, las llamas o las chispas.



No se puede fumar.

No fume en esta zona.



Humos tóxicos.

Las sustancias químicas contenidas en los tubos de escape del motor pueden causar cáncer y defectos de nacimiento y otros daños reproductivos.

Veneno.

El símbolo de la calavera y las tibias cruzadas significa que el producto es venenoso o tiene/produce material venenoso. Lamer, comer, beber u oler una sustancia marcada con este símbolo puede ponerle muy enfermo o incluso causarle la muerte.



Riesgo de asfixia.

Este motor emite monóxido de carbono, un gas venenoso inodoro e incoloro. Respirar monóxido de carbono puede provocar náuseas, desmayos o incluso la muerte. Utilice esta máquina únicamente en una zona exterior bien ventilada.



Peligros de descarga eléctrica.

Tenga cuidado con el cable de alta tensión cuando utilice la máquina.

¡No toques!



Aviso de superficie caliente.

El contacto puede causar quemaduras.

¡No toques!



Riesgo de inyecciones.

Para reducir el riesgo de inyección o de lesiones, no dirija nunca el chorro de agua hacia las personas o los animales domésticos ni coloque ninguna parte del cuerpo en el chorro. Las mangueras y accesorios con fugas también pueden causar lesiones por inyección. No sujete las mangueras ni los accesorios.

Riesgo de explosión.

No pulverice líquidos inflamables. Los líquidos inflamables, el combustible y sus vapores son explosivos y pueden causar quemaduras graves o la muerte.



Riesgo de soborno.

Para reducir el riesgo de lesiones por contragolpe, sujete la pistola y la varilla firmemente con ambas manos cuando trabaje con la máquina.



Señales y símbolos en la máquina

A efectos de seguridad en el funcionamiento y el mantenimiento, los significados de los signos y símbolos pueden estar fijados o grabados en la máquina.



El puerto para recargar combustible.

Posición: Tapón de combustible



El puerto para rellenar el aceite del motor.

Posición: Tapón de aceite



Control de estrangulamiento.

Choque cerrado.

Posición de "arranque en frío".

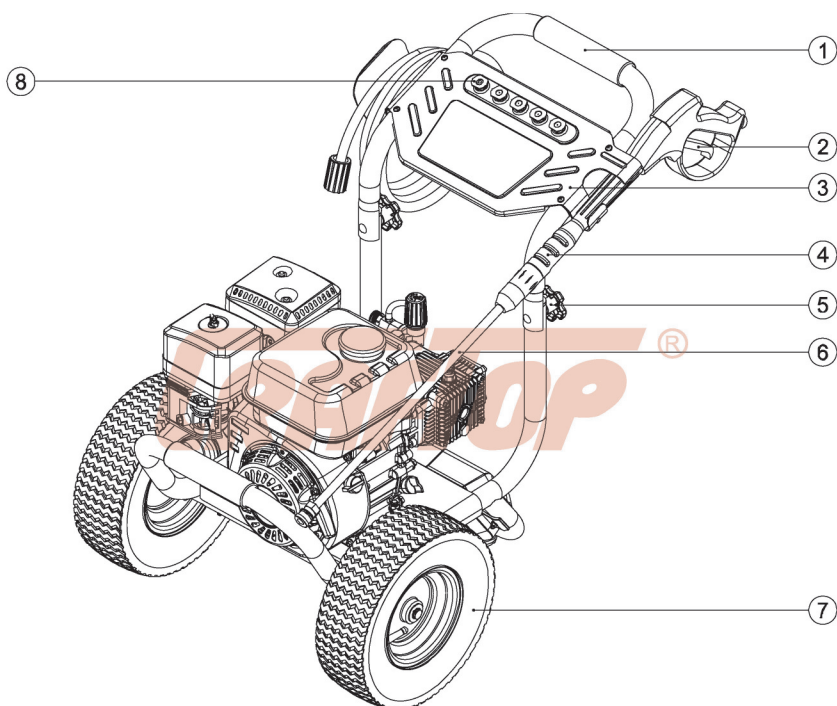


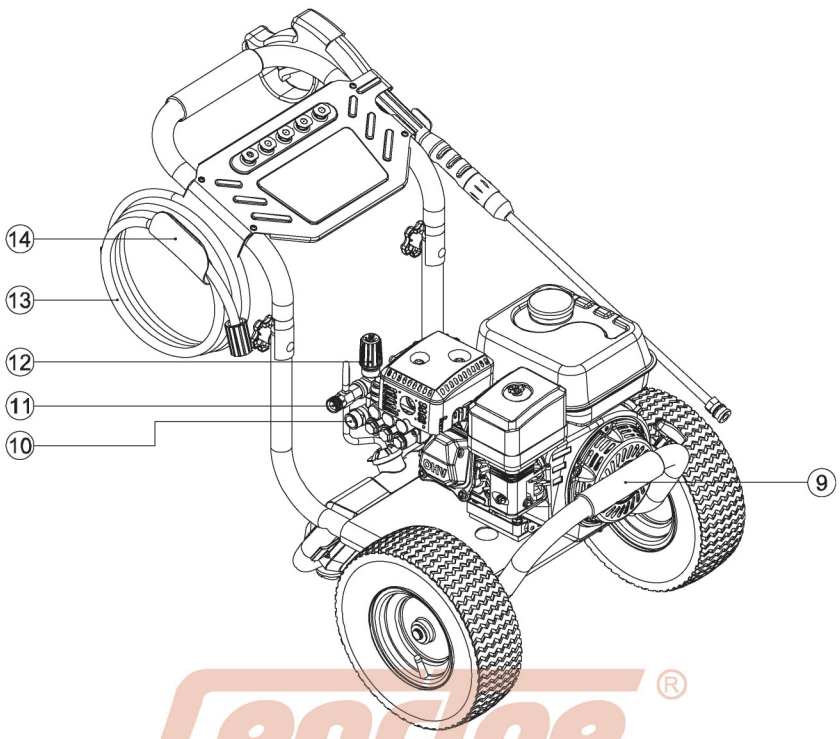
Control de estrangulamiento.

Ahogado abierto.

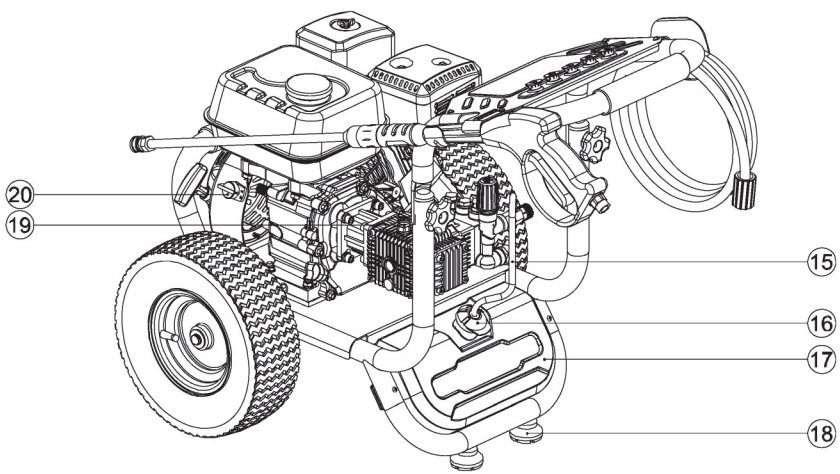
Posición de "correr".

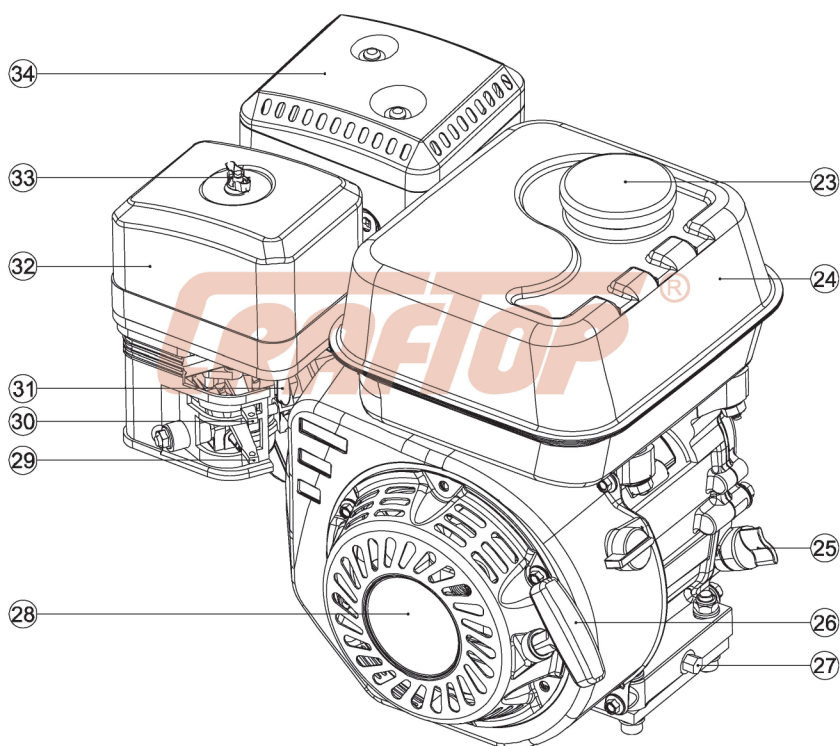
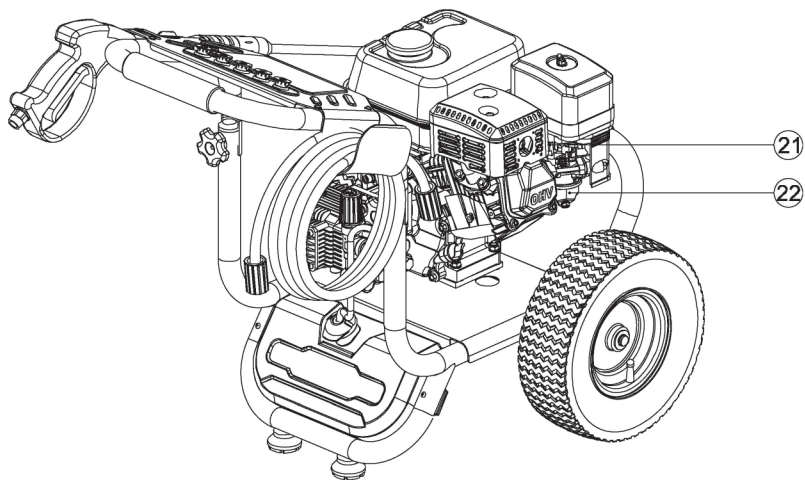
Resumen del producto





GRAFIOP®





Índice	Nombre de la pieza	Descripción
1	Mango o Asa superior	Se utiliza para maniobrar la máquina cuando se transporta con las manos.
2	Gatillo de accionamiento	Apriételo para rociar agua a presión; y, suéltelo para parar.
3	Funda para la pistola	Se utiliza para colocar la pistola de pulverización en la máquina cuando no se utiliza.
4	Pistola de pulverización	Se utiliza para manipular y rociar agua a presión.
5	Pomo	Para fijar rápidamente el asa superior en el bastidor principal con las manos.
6	Varilla de pulverización	Se utiliza para ampliar su alcance para facilitar la limpieza.
7	Rueda	Facilita la movilidad de la máquina para desplazarse manualmente por el suelo.

Índice	Nombre de la pieza	Descripción
8	Boquillas	0°, 15°, 25°, 40°, punta de detergente; Se utiliza para aplicar la presión y el patrón de chorro adecuados para cada aplicación específica.
9	Mango inferior	Utilizar para levantar la máquina o transportar la máquina por dos personas.
10	Entrada de la bomba	Utilizando el acoplamiento de conexión rápida incluido, conecte su manguera de jardín aquí.
11	Salida de la bomba	Conecte su manguera de presión aquí.
12	Válvula de control de flujo	Para regular el flujo de agua o la presión de salida de la bomba.
13	Manguera de presión	Se conecta a la bomba y a la pistola.
14	Gancho para manguera de presión	Para colgar la manguera de presión cuando no se utiliza.
15	Manguera de detergente	Conectar entre el depósito de detergente y la bomba.
16	Tapa del depósito de detergente	Retire este tapón para llenar el depósito de detergente con el detergente aprobado.
17	Depósito de detergente	Un tanque diseñado para el detergente aprobado.
18	Soportes de apoyo	Para apoyar la máquina junto con las ruedas cuando está en uso o durante el almacenamiento.
19	Tapón de llenado de aceite de la bomba	Retire este tapón rojo para llenar el aceite de la bomba antes de utilizar la máquina por primera vez.
20	Interruptor del motor	Interruptor de encendido/apagado, asegúrese de que está en la posición "ON" antes de intentar arrancar el motor.
21	Bujía	Debe comprobarse cada 100 horas de funcionamiento.
22	Carburador	Dispositivo de un motor de combustión interna para mezclar aire con una fina pulverización de combustible líquido.
23	Tapón de combustible	Asegúrese de que el tapón de combustible esté bien apretado durante el funcionamiento.
24	Depósito de combustible	Capacidad de 3,6L.
25	Varilla de aceite	Asegúrese de que la máquina tiene el nivel de aceite adecuado antes de arrancar el motor. Utilice únicamente aceite SAE 10W-30.
26	Empuñadura de la cuerda de arranque	Se utiliza para tirar de la cuerda de arranque.
27	Tapón de drenaje de aceite	Quítelo y deje que el aceite usado se escurra.
28	Arrancador de retroceso	Se utiliza para arrancar el motor.
29	Válvula de combustible	Regula el flujo de combustible al motor. Debe estar completamente abierto antes de arrancar el motor.
30	Palanca del estrangulador	Se utiliza para controlar el aire entrante.
31	Palanca del acelerador	Se utiliza para ajustar la velocidad del motor.
32	Filtro de aire	El filtro de aire debe ser reemplazado anualmente para asegurar un rendimiento óptimo del motor.
33	Tuerca de mariposa del filtro de aire	Para fijar o liberar manualmente la cubierta del filtro de aire rápidamente.
34	Silenciador	Asegúrese de evitar el contacto, ya que estará caliente durante y poco después del uso. Evite apoyar la manguera de presión en el silenciador.

Esta máquina está diseñada para aplicaciones residenciales específicas. No la modifique ni la utilice para ninguna otra aplicación que no sea la diseñada. Este equipo no está diseñado para uso industrial. Consulte los iconos que aparecen a continuación para conocer las aplicaciones sugeridas.



Escaleras



Coche



Esgrima



Cubierta y patio



Piso del garaje



Calzada



Sidings



Preparación de la pintura

Especificaciones técnicas

MODELO		GHW3400A	
Artículo	Descripción	Unidad	Especificación
En general	Dimensión del paquete (L x W x H)	in(mm)	615 x 485 x 580
	Peso neto	kg	37
	Caudal máximo de agua	GPM	2.6
	Temperatura de aplicación	°C	+5 ~ +60
Motor	Tipo		Motor de gasolina de 4 tiempos
	Desplazamiento	cc	196
	Potencia (OHV)	HP	6.5
	Velocidad (sin carga)	RPM	3600
	Inicio		Arranque manual de retroceso
Bujía	Gap	in(mm)	0.028~0.031(0.7~0.8)
Bomba	Tipo		Bomba de latón con manivela, resistente y de calidad comercial
	Presión máxima del agua	PSI	3400
	Presión nominal del agua	PSI	2700
	Presión mínima de entrada	PSI	30
	Presión máxima de entrada	PSI	100
	Temperatura máxima del agua bombeada	°C	60
Aceite de la bomba	Tipo		SAE 15W-40
	Capacidad	L	0.4
Manguera de alta presión	Tipo		Manguera de alta presión con cable de acero
	Longitud	pies (m)	20(6)
Puertos de entrada y salida	Tipo		Conector de manguera de jardín estándar
Boquillas de pulverización	Tipo		0°, 15°, 25°, 40°, punta de detergente

MODELO		GHW3400A	
Artículo	Descripción	Unidad	Especificación
	Cantidad		Total 5
Depósito de detergente	Capacidad del depósito	L	3
Combustible	Tipo		Gasolina sin plomo
	Capacidad del depósito	L	3.6
Aceite de motor	Tipo		SAE 10W-30
	Capacidad del depósito	L	0.6
Ruedas	Tipo		Neumáticos
	Tamaño	pulgadas	12
Características estándar	<p>Este limpiador a presión está equipado con las siguientes características de seguridad:</p> <p>Apagado automático por bajo nivel de aceite</p> <p>Esta hidrolavadora está equipada con un sistema de desconexión por bajo nivel de aceite. Si el nivel de aceite del motor está por debajo del nivel de aceite recomendado, la hidrolavadora se apagará automáticamente. Esto protege su motor y evita que funcione sin la lubricación adecuada.</p>		

información

Las especificaciones, descripciones e ilustraciones de este manual son tan precisas como se conocen en el momento de su publicación, pero están sujetas a cambios sin previo aviso.

Precauciones e instrucciones de seguridad



Deben observarse precauciones especiales de seguridad al trabajar con esta máquina porque tiene piezas que giran a gran velocidad, utiliza combustible inflamable, produce agua a alta presión y expulsa humos venenosos.



Antes de intentar utilizar esta hidrolavadora, lea detenidamente este manual hasta que comprenda completamente y pueda seguir todas las normas de seguridad, precauciones e instrucciones de funcionamiento y mantenimiento. Un uso descuidado o inadecuado puede causar lesiones graves o incluso mortales.

Precauciones de seguridad

PELIGRO

- Debido a que una lavadora de alta presión tiene piezas que giran a gran velocidad, utiliza combustible inflamable, produce agua a alta presión y expulsa humos venenosos, deben observarse algunas precauciones especiales para reducir el riesgo de accidentes y lesiones personales. Un uso descuidado

o inadecuado puede causar lesiones graves o incluso mortales.

- Las piezas giratorias pueden enredar el pelo, las manos, la ropa, los pies y/o los accesorios. Puede producirse una amputación traumática o una laceración grave.
- La gasolina es un combustible extremadamente inflamable. Si se derrama y se enciende por una chispa u otra fuente de ignición, puede causar un incendio y graves quemaduras o daños materiales. Extreme las precauciones al manipular la gasolina. Durante las operaciones de abastecimiento de combustible puede salir vapor de combustible del sistema o del recipiente. No fume ni acerque ningún fuego o llama al combustible o a la máquina.
- Nunca apunte la boquilla de pulverización hacia una persona, un animal o hacia usted mismo. Manténgase alejado de la boquilla. Lleve siempre la ropa y el equipo de protección personal (EPP) adecuados cuando trabaje o realice tareas de mantenimiento.
- No dirija el chorro de alta presión hacia personas, animales, dispositivos eléctricos o la propia máquina. Los chorros de alta presión pueden ser peligrosos si son objeto de un uso indebido, y dar lugar a un alto riesgo de inyección o lesiones.
- Todos los conductores eléctricos y los cables de comunicación pueden tener un flujo de electricidad con altos voltajes. Esta máquina no está aislada contra la corriente eléctrica. Nunca salpique el vapor de agua a los cables, de lo contrario pueden producirse lesiones graves o incluso la muerte.

- No opere esta máquina en interiores o en áreas inadecuadamente ventiladas. No permita que los gases de escape entren en un área confinada a través de ventanas, puertas, respiraderos u otras aberturas. Los gases de escape del motor contienen emisiones venenosas y pueden causar lesiones graves o la muerte.



Peligros de descarga eléctrica.

El chorro de agua no debe dirigirse nunca hacia ningún cableado o dispositivo eléctrico, ni directamente hacia la propia hidrolavadora, ya que podría producirse una descarga eléctrica mortal.

Riesgo de soborno.

Para reducir el riesgo de lesiones por contragolpe, sujete la pistola y la varilla firmemente con ambas manos cuando trabaje con la máquina.



El seguro del gatillo de la pistola evita que el gatillo se acople accidentalmente y debe colocarse en posición de bloqueo cuando no se utilice.

ADVERTENCIA

- Respete todos los reglamentos, normas y ordenanzas locales de seguridad aplicables.
- Nunca rocíe líquidos inflamables ni utilice la lavadora a presión en áreas que contengan polvo, líquidos o vapores combustibles.
- Para evitar el rociado accidental de agua, coloque siempre el gatillo de rociado en la posición de bloqueo y enganche el pestillo de bloqueo del gatillo cuando no lo utilice.
- Los motores en marcha producen calor. Pueden producirse quemaduras graves por contacto. El material combustible puede incendiarse por contacto.
- El ruido emitido por esta máquina puede estar restringido a ciertas horas por la normativa nacional o local.
- El uso de lavadoras a presión puede crear superficies húmedas para caminar. Durante el uso de una lavadora a presión, las fuerzas de la pistola pueden hacer que pierda el equilibrio y se caiga.
- Nunca se debe permitir que los menores de edad utilicen esta hidrolavadora. No permita que otras personas se acerquen a la hidrolavadora cuando se ponga en marcha o funcione. Mantenga a los transeúntes, especialmente a los niños, y a los animales fuera del área de trabajo y manténgase a una distancia segura. Es necesario supervisar de cerca a los niños para asegurarse de que no entren en la zona de trabajo ni jueguen con la máquina.
- No deje nunca que su hidrolavadora funcione sin vigilancia. Cuando no esté en uso (por ejemplo, durante una pausa de trabajo), apáguela y asegúrese de que no la utilicen personas no autorizadas.

- Los materiales colocados contra o cerca del producto, o el funcionamiento del producto en zonas donde la temperatura ambiente supera los 40°C (como almacenes o garajes) pueden interferir con sus características de ventilación adecuadas, provocando un sobrecalentamiento y una posible ignición de los materiales o edificios.

- Las personas que utilicen esta hidrolavadora deben estar en buenas condiciones físicas y mentales, y no estar bajo la influencia del alcohol y las drogas. Nunca utilice esta hidrolavadora cuando esté fatigado, enfermo o molesto. Si se siente cansado, tome un descanso.

- Los componentes de esta máquina generan un campo electromagnético durante su funcionamiento, que puede interferir con algunos marcapasos. Para reducir el riesgo de lesiones graves o mortales, las personas con marcapasos deben consultar a su médico y al fabricante del marcapasos antes de utilizar esta máquina. En ausencia de dicha información, CRAFTOP no recomienda el uso de esta máquina a nadie que tenga un marcapasos.

- El usuario de esta máquina es responsable de evitar daños a terceros o a su propiedad.

PRECAUCIÓN

La exposición prolongada al frío y/o a las vibraciones puede provocar lesiones. Lea y siga todas las instrucciones de seguridad y funcionamiento para minimizar el riesgo de lesiones. El incumplimiento de las instrucciones puede provocar lesiones dolorosas en la muñeca, la mano o el brazo.

El Fenómeno de Raynaud puede afectar a los dedos de ciertas personas si se exponen a vibraciones y frío. La exposición a las vibraciones y al frío puede provocar sensaciones de hormigueo y quemazón, seguidas de pérdida de color y adormecimiento de los dedos. Se recomienda encarecidamente tomar las siguientes precauciones:

- Mantenga el cuerpo caliente, especialmente la cabeza, el cuello, las manos, las muñecas, los tobillos y los pies.
- Mantenga una buena circulación sanguínea realizando ejercicios vigorosos con los brazos durante las pausas de trabajo frecuentes.
- Limite las horas de funcionamiento, descanse cuando se sienta cansado o fatigado.
- Si experimenta molestias, enrojecimiento e hinchazón de los dedos, seguidos de blanqueamiento y pérdida de sensibilidad, consulte a su médico antes de seguir exponiéndose al frío y a las vibraciones.

El uso excesivo de los músculos y tendones de los dedos, las manos, los brazos y los hombros puede causar dolor, hinchazón, entumecimiento, debilidad y dolor extremo en esas zonas.

- Evite utilizar la muñeca en una postura doblada, extendida o torcida. En su lugar, intente mantener una posición recta de la muñeca. Además, al agarrar, utilice toda la mano, no sólo el pulgar y el índice.
- Haz pausas periódicas para minimizar la repetición y dejar que tus manos descansen.

- Reduzca la velocidad y la fuerza con la que realiza el movimiento repetitivo.
- Haz ejercicio para fortalecer los músculos de las manos y los brazos.
- Deje de utilizar inmediatamente la máquina y otras herramientas eléctricas, y consulte a un médico si siente hormigueo, entumecimiento o dolor en los dedos, las manos, las muñecas o los brazos.

Ropa y EPI

ADVERTENCIA

Siempre que se utilice una hidrolavadora de alta presión hay que llevar ropa adecuada y equipos de protección individual (EPI) homologados.



Se requiere protección para los ojos y los oídos.

Utilice siempre gafas de seguridad adecuadas o gafas de seguridad con protecciones laterales, así como tapones o silenciadores para los oídos cuando utilice esta máquina.



Se requiere protección respiratoria.

Lleve una protección respiratoria adecuada para protegerse de los disolventes químicos, los aerosoles, los aceites, el moho y otras partículas o alérgenos más dañinos en el aire que puedan pasar desapercibidos.



Se requiere protección para el cabello.

El operario que tenga el pelo largo deberá atarlo y confinarlo con una redcilla, un gorro o un casco, por ejemplo.



Protección de las manos.

Utilice siempre guantes adecuados cuando manipule detergente químico u opere una lavadora de alta presión.

Ropa adecuada.

La ropa debe ser ajustada pero permitir una total libertad de movimientos.

No lleve ropa suelta, joyas, pañuelo, corbata o cualquier cosa que pueda quedar atrapada en las palas móviles de la máquina.



Protección de los pies.

Use zapatos o botas con suela antideslizante en su área de trabajo.

Los equipos de protección personal no pueden eliminar el riesgo de lesiones, pero reducirán el grado de las mismas si se produce un accidente. Pida ayuda a su

distribuidor de lavadoras de alta presión para elegir los equipos adecuados.

La exposición prolongada o continuada a niveles de ruido elevados puede causar daños auditivos permanentes. Utilice siempre una protección auditiva aprobada cuando trabaje con una limpiadora de alta presión.

Maneje su hidrolavadora con seguridad

ADVERTENCIA

Este equipo de lavado a presión debe ser utilizado únicamente por operarios cualificados. Los menores de edad y las personas no capacitadas nunca deben utilizar esta máquina.

Este limpiador de alta presión sólo debe utilizarse para limpiar superficies sólidas y otros elementos que no se dañen con el agua a alta presión o la fuerza del chorro de pulverización. No la utilice para otros fines, ya que el uso incorrecto puede provocar lesiones personales o daños materiales, incluyendo daños a la máquina. Antes de utilizar esta máquina para realizar su trabajo, practique siempre en una zona de prueba poco visible para saber cuándo pueden producirse daños.

En cualquier circunstancia, no debe modificar el diseño original del limpiador de alta presión sin la aprobación del fabricante. Utilice siempre piezas de recambio originales. Las modificaciones o accesorios no autorizados pueden provocar lesiones graves o incluso mortales.

Bajo ninguna circunstancia debe hacer funcionar su hidrolavadora si está dañada, mal ajustada o mantenida, o si no está completa o firmemente montada. Inspeccione siempre el limpiador de alta presión antes de cada uso, y sustituya las piezas inmediatamente si están desgastadas, sueltas, tienen fugas, están dañadas o faltan.

- No apunte nunca la boquilla de pulverización hacia personas, animales, dispositivos eléctricos, plantas o la propia máquina.
- No deje que se congele el agua de la bomba, la manguera y otras partes de la máquina.
- No haga funcionar la máquina en seco. Asegúrese de que el suministro de agua está completamente abierto antes de hacer funcionar la máquina.
- Utilice sólo agua fría.
- Desconecte siempre el cable de la bujía y colóquelo en un lugar donde no pueda entrar en contacto con la bujía para evitar un arranque accidental al poner en marcha, transportar, ajustar o realizar reparaciones, excepto los ajustes del carburador.
- Sujete siempre el accesorio de pulverización firmemente con las dos manos cuando realice sus trabajos de limpieza. El chorro de pulverización provoca fuerzas reactivas en el accesorio de pulverización en dirección contraria a la de la pulverización (retroceso o retroceso). Sujete firmemente el accesorio de pulverización con ambas manos para controlar las fuerzas reactivas, incluido el par de torsión adicional que se produce al utilizar accesorios de pulverización en ángulo o una varilla de pulverización en ángulo.

- No maneje el limpiador de alta presión con una sola mano. La operación con una sola mano puede causar lesiones graves al operador, a los ayudantes, a los transeúntes o a cualquier combinación de estas personas. **El limpiador de alta presión DEBE utilizarse con las dos manos.**



- Enganche siempre el pestillo de seguridad del gatillo en la posición de seguridad cuando se detenga la pulverización aunque sea por unos instantes.
- No coloque nunca la mano o los dedos sobre la punta de pulverización mientras se utiliza la máquina.
- Utilice la hidrolavadora sólo en una zona exterior bien ventilada. Nunca arranque o haga funcionar el motor dentro de una habitación o edificio cerrado. Los gases de escape contienen monóxido de carbono peligroso.
- No utilice nunca la máquina por la noche, en caso de niebla espesa o en cualquier otro momento en que su campo de visión pueda ser limitado y le resulte difícil mantener una visión clara de la zona de trabajo.
- Durante la lluvia, las tormentas, los vientos fuertes o huracanados, o en cualquier otro momento en que las condiciones meteorológicas puedan hacer inseguro el uso de esta máquina.
- No permita que ningún material bloquee las ranuras de refrigeración.
- Planifique cuidadosamente su operación de limpieza por adelantado. No empiece nunca a limpiar hasta que tenga la zona de trabajo despejada.
- Mantenga el pie y el equilibrio en todo momento. No se sitúe sobre superficies resbaladizas, irregulares o inestables. No opere la lavadora de alta presión en posiciones extrañas o sobre una escalera o escalerillas.
- Mantenga la zona de escape libre de residuos inflamables. Evite el contacto con superficies calientes durante e inmediatamente después del funcionamiento.
- No utilice una lavadora a presión para limpiar la máquina. El chorro sólido de agua a alta presión puede dañar las piezas de la máquina.

Mantener en buen estado de funcionamiento

⚠ PRECAUCIÓN

Todo el servicio de la lavadora de alta presión, aparte de los elementos enumerados en la sección de mantenimiento de este manual, debe ser realizado por un distribuidor de servicio autorizado o por personal de servicio competente de la lavadora de alta presión.

⚠ ADVERTENCIA

Utilice únicamente piezas de repuesto de alta calidad para evitar el riesgo de accidentes y daños en la herramienta eléctrica. Si tiene alguna duda al respecto, consulte a un distribuidor o centro de servicio autorizado. CRAFTOP recomienda el uso de piezas de recambio originales. Están diseñadas específicamente para adaptarse a su modelo y cumplir con sus requisitos de rendimiento.

- Para reducir el riesgo de lesiones, apague siempre el motor antes de realizar cualquier operación de mantenimiento o reparación o de limpieza de la máquina, sólo exceptuando los ajustes del carburador y del ralentí.
- No utilice el producto si el interruptor del motor no lo enciende o apaga. Cualquier producto de gasolina que no pueda ser controlado con el interruptor del motor es peligroso y debe ser reparado.
- Revise la máquina para ver si hay tuercas, pernos y tornillos sueltos o faltantes. Apriete y/o sustituya según sea necesario.
- No haga girar el motor en el arranque con el capuchón de la bujía o la bujía desmontada, ya que, de lo contrario, existe riesgo de incendio por chispas no contenidas.
- Compruebe que el sistema de combustible no tenga fugas debido a daños en el depósito de combustible, especialmente si la máquina se ha caído accidentalmente. Si se detectan daños o fugas, no siga utilizando la máquina, ya que de lo contrario podrían producirse graves lesiones personales o daños materiales. Haga reparar la máquina por un distribuidor o centro de servicio autorizado antes de utilizarla.
- Compruebe a intervalos regulares si hay grietas o fugas en el llenado de combustible, los conductos, el depósito, el tapón y los accesorios. Sustitúyalo si es necesario.
- Reemplace las piezas dañadas, faltantes o falladas antes de usarla. Asegúrese de que todas las tuercas, pernos, tornillos, accesorios hidráulicos, abrazaderas de mangueras, etc. estén bien apretados. Compruebe siempre que el nivel de aceite del motor se encuentra en la posición adecuada. Nunca utilice este producto cuando necesite ser reparado o cuando esté en malas condiciones mecánicas.
- Para reducir el riesgo de incendio, no realice el mantenimiento ni almacene la máquina cerca de llamas abiertas.
- Utilice únicamente un tipo de bujía aprobado por CRAFTOP y asegúrese de que está en buen estado.
- Inspeccione el cable de encendido (aislamiento en buen estado, conexión segura).

- Compruebe el estado del silenciador. Para reducir el riesgo de incendio y de daños en el oído, no utilice la máquina si el silenciador está dañado o falta.
- No toque el silenciador, la bujía u otras partes metálicas del motor mientras el motor esté en marcha o se apague inmediatamente, de lo contrario se producirán quemaduras.

Transporte de la hidrolavadora

Evite el arranque accidental. Transporte o mueva la máquina sólo con el depósito de combustible vacío. Asegúrese de que el interruptor del motor está apagado antes de transportar la máquina.

Cuando transporte su hidrolavadora en un vehículo, asegure correctamente la máquina para evitar que se vuelque, se derrame el combustible y se dañe.

Manipule el combustible con precaución

Su lavadora de alta presión utiliza una gasolina sin plomo como combustible.

⚠ ADVERTENCIA

La gasolina es un combustible extremadamente inflamable y sus vapores pueden explotar si se encienden. Preste mucha atención al repostar, almacenar o manipular la gasolina, ya que de lo contrario se pueden producir graves daños personales.



Si se derrama y se enciende con una chispa u otra fuente de ignición, la gasolina puede provocar un incendio y causar graves quemaduras o daños materiales.



No fume ni provoque ningún tipo de fuego o llama mientras manipula el combustible o mientras opera la lavadora de alta presión. Tenga en cuenta que puede salir vapor de combustible del sistema de combustible.

- Equipe el área de operación con un extintor certificado para manejar incendios de gasolina o combustible.
- El combustible utilizado en esta hidrolavadora es venenoso. Lleve siempre protección respiratoria aprobada cuando decante el combustible.
- Manipule el combustible y repóstele en una zona exterior bien ventilada y sobre el suelo desnudo; almacene el combustible en un lugar fresco, seco y bien ventilado; y utilice un recipiente aprobado y marcado para todo tipo de combustible. Limpie todos los derrames de combustible antes de poner en marcha la máquina.
- Elimine todas las fuentes de chispas o llamas (es decir, fumar, llamas abiertas o trabajos que puedan provocar chispas) en las zonas donde se mezcla, vierte o almacena el combustible. Apague siempre el motor y deje que se enfríe antes de repostar.
- Tenga siempre precaución al manipular el combustible. Limpie todos los derrames y luego mueva la lavadora de alta presión por lo menos a 10

pies (3 metros) del punto de abastecimiento de combustible antes de arrancar el motor.

- Apague siempre el motor antes de repostar, deje que la máquina se enfríe en una zona no combustible, no sobre hojas secas, paja, papel, etc. No reposte un motor caliente - el combustible puede derramarse y provocar un incendio.
- Afloje un poco el tapón de combustible con cuidado para que la presión acumulada en el depósito de combustible se libere lentamente y se evite el derrame de combustible. No retire nunca el tapón de combustible con el motor en marcha.
- Llenar o vaciar el depósito de combustible sólo en una zona exterior bien ventilada. Si derrama combustible, limpie la máquina inmediatamente. Si el combustible se derrama sobre su ropa, cámbiela inmediatamente.
- Vuelva a colocar/apretar los tapones del depósito de combustible y del contenedor en la posición correcta, asegúrese de que no se afloje o se salga debido a las vibraciones de la máquina. No utilice nunca el producto sin que la tapa esté bien colocada.
- Para reducir el riesgo de lesiones por quemaduras graves o mortales, compruebe si hay fugas de combustible. Evite crear una fuente de ignición para el combustible derramado. Si se detecta una fuga de combustible, no arranque ni haga funcionar el motor hasta que se solucione la fuga.
- No inhalar los vapores del combustible ya que son tóxicos.
- No utilice el producto en atmósferas explosivas, como en presencia de líquidos, gases o polvo inflamables. Las herramientas eléctricas crean chispas que pueden encender el polvo o los humos.
- Almacene la máquina y el combustible en una zona en la que los vapores del combustible no puedan alcanzar chispas o llamas abiertas de calentadores de agua, motores o interruptores eléctricos, hornos, etc.

Conectar al suministro de agua

- Para usar sólo con agua fresca y limpia. No utilice este producto con otros líquidos. Temperatura del agua adecuada: 5°C (41°F) a 40°C (104°F).
- Para minimizar la cantidad de agua que vuelve a rociar la hidrolavadora, el aparato debe colocarse lo más lejos posible del lugar de limpieza durante su uso.
- El sistema de suministro de agua debe estar protegido contra el reflujo.
- Nunca utilice este producto con agua contaminada con disolventes (por ejemplo, disolventes de pintura, gasolina, aceite, etc.).
- Evite siempre que entren residuos en el producto utilizando una fuente de agua limpia y un filtro de agua adicional, si es necesario.
- No conecte la lavadora a presión directamente a un sistema de agua potable. Si este aparato se conecta a un sistema de agua potable, el sistema debe estar protegido contra el reflujo.
- Si se conecta la lavadora a presión a un sistema de agua potable, debe instalarse un desconector entre

el grifo y la manguera. El diseño del anti retorno debe cumplir con la normativa específica del país.

- Si el agua potable ha pasado por el desconector, ya no puede considerarse agua potable.
- Siga las normas y directrices emitidas por la compañía local de suministro de agua para evitar que el agua vuelva a fluir desde la lavadora a presión al sistema de agua potable.
- No utilice la máquina con agua sucia (es decir, con agua que contenga arena, suciedad u otras partículas). Si existe el riesgo de que el suministro de agua esté sucio, busque y utilice una fuente de agua alternativa.

Antes de arrancar el motor

Un área dentro de un radio mínimo de 50feet (15m) desde el uso de la máquina debe ser considerada como un área peligrosa, en la que nadie debe entrar. Si es necesario, se debe colocar una cuerda amarilla de advertencia y señales de advertencia alrededor del perímetro del área. Cuando el trabajo sea realizado simultáneamente por dos o más personas, se debe tener especial cuidado en mirar constantemente a su alrededor o comprobar de otra manera la presencia y la ubicación de otras personas que estén trabajando, a fin de mantener una distancia de seguridad suficiente entre cada persona.

Antes de arrancar el motor, compruebe que su máquina está bien montada y en buen estado:

- La máquina sólo puede utilizarse cuando todas las piezas están en buen estado de funcionamiento. Nunca haga funcionar la lavadora a presión si está modificada, dañada, ajustada o mantenida incorrectamente, o si no está montada de forma completa o segura. Nunca haga funcionar la lavadora a presión con un regulador modificado o desconectado. Nunca intente modificar los controles o dispositivos de seguridad de ninguna manera.
- Revise el sistema de combustible en busca de fugas, prestando mucha atención a las partes visibles como la tapa del tanque de combustible, las conexiones de las mangueras y la bomba de combustible manual (si está equipada). Si hay alguna fuga u otro signo de daño, no arranque el motor por el riesgo potencial. Haga reparar su máquina por un concesionario o centro de servicio autorizado antes de volver a utilizarla.
- Utilice siempre la manguera de alta presión en buen estado y que no esté deshilachada, agrietada, deformada o dañada de alguna manera. No utilice nunca la máquina con una manguera de alta presión dañada o desgastada; de lo contrario, sustitúyala antes de seguir utilizándola. El uso de una manguera desgastada o dañada, o que no cumpla con los requisitos de alta presión de la lavadora a presión, puede provocar lesiones personales.
- Inspeccione la varilla de pulverización y la pistola de pulverización en busca de daños antes de empezar a trabajar. El gatillo de la pistola de pulverización debe moverse fácilmente y volver automáticamente a su posición inicial cuando se suelta. El pestillo de bloqueo del gatillo debe estar en buenas condiciones de funcionamiento. Mantenga las superficies de agarre limpias en todo momento; libres de brea, aceite, combustible, grasa o resina para que pueda

mantener un agarre firme y controlar adecuadamente su hidrolavadora.

- Compruebe que el protector de la bujía está bien montado en la bujía. Una bota suelta puede provocar un arco eléctrico que podría encender los humos combustibles y causar un incendio.
- Compruebe que el interruptor del motor, la palanca del estrangulador, la palanca del acelerador y el pestillo de bloqueo del gatillo funcionan correctamente. La palanca del acelerador debe moverse libremente.
- Nunca arranque o haga funcionar el motor con el conjunto del filtro de aire o el filtro de aire desmontado.
- Retire cualquier llave de ajuste o llave inglesa antes de poner en marcha el limpiador a presión. Si se deja una llave inglesa o una llave fija en una pieza giratoria del equipo de lavado a presión, pueden producirse lesiones personales.
- Mantenga todas las asas secas y limpias, libres de aceite y suciedad, para un control seguro de la máquina.
- Conecte y abra siempre el suministro de agua a la bomba antes de arrancar el motor. No haga funcionar la hidrolavadora sin agua. Hacer funcionar la hidrolavadora sin agua hará que la bomba se sobrecaliente, lo que puede provocar daños permanentes.

Al arrancar el motor



ADVERTENCIA

Su hidrolavadora ha sido diseñada para ser manejada por una sola persona. No permita que otras personas se encuentren en el área de trabajo, ni siquiera durante el arranque.

- Al arrancar el motor, asegúrese de que la bujía, el silenciador, el tapón de combustible y el filtro de aire estén colocados y asegurados. No arranque el motor con la bujía quitada.
- No utilice este limpiador a presión a temperaturas inferiores a 5°C. El funcionamiento de la limpiadora a presión a una temperatura inferior a 5°C puede dañar la bomba y otras piezas de la limpiadora a presión. La garantía no cubre los daños causados por el mal uso de la limpiadora a presión.
- Para reducir el riesgo de lesiones oculares o de otro tipo provocadas por las salpicaduras de agua y los objetos sopladados o rociados, debe llevar ropa adecuada y equipos de protección individual (EPI) aprobados cuando ponga en marcha el motor y maneje la máquina.
- Arranque el motor a una distancia mínima de 3 metros del punto de abastecimiento de combustible, en una zona bien ventilada y sólo al aire libre.
- Mantenga a los transeúntes, especialmente a los niños y a los animales, a una distancia mínima de 15 m del punto de trabajo. Si se le acerca, pare inmediatamente el motor y acople el pestillo de bloqueo del gatillo de la pistola.

- Coloque la máquina sobre un suelo firme en un área abierta y bien ventilada. Asegúrese de tener un buen equilibrio y una base segura.
- Cuando tire de la manivela de la cuerda de arranque, no enrolle la cuerda de arranque alrededor de su mano. No permita que la cuerda retroceda por sí misma, sino que guíe la cuerda de arranque lentamente hacia atrás para permitir que la cuerda se rebobine correctamente. El incumplimiento de este procedimiento puede provocar lesiones en la mano o en los dedos y puede dañar el mecanismo de arranque.
- Si el motor se inunda, mueva el control del acelerador a la posición rápida y arranque hasta que el motor se ponga en marcha.

información

Cuando se pone en funcionamiento una máquina nueva, en los primeros minutos puede salir grasa de la caja de engranajes. Pero, como se trata de un exceso de grasa, no hay motivo de alarma. Basta con limpiarla con el motor parado para el siguiente uso.

Durante el funcionamiento

ADVERTENCIA

Las piezas móviles pueden amputar los dedos o causar lesiones graves. Mantenga las manos, la ropa y los objetos sueltos alejados de todas las piezas móviles. Detenga siempre el motor, desconecte la bujía y asegúrese de que todas las piezas móviles se han detenido por completo antes de eliminar obstrucciones, retirar residuos o realizar tareas de mantenimiento en la unidad.



Para reducir el riesgo de incendio con resultado de lesiones graves o mortales o daños materiales, no pulverice nunca líquidos inflamables o combustibles.



Para reducir el riesgo de explosión con resultado de lesiones graves o mortales o daños materiales, no pulverice nunca líquidos inflamables o combustibles.



Para reducir el riesgo de cortocircuito, incendio y electrocución, nunca dirija el spray hacia aparatos y equipos eléctricos, enchufes o cables de alimentación.



Mantenga las manos y los pies y otras partes del cuerpo alejados del chorro de agua en todo momento. El contacto con el chorro de agua puede provocar graves laceraciones e inyecciones de líquido. Debido a la alta presión y a la velocidad del chorro, los fluidos pueden penetrar en la piel y causar una inyección de fluido y/o lesiones graves por corte. Si se produce un accidente y el chorro parece haber penetrado en la piel, busque

atención médica de urgencia. No lo trate como un simple corte.

Riesgo de explosión.

No pulverice líquidos inflamables. Los líquidos inflamables, el combustible y sus vapores son explosivos y pueden causar quemaduras graves o la muerte.

Riesgo de soborno.

Para reducir el riesgo de lesiones por contragolpe, sujete la pistola y la varilla firmemente con ambas manos cuando trabaje con la máquina.

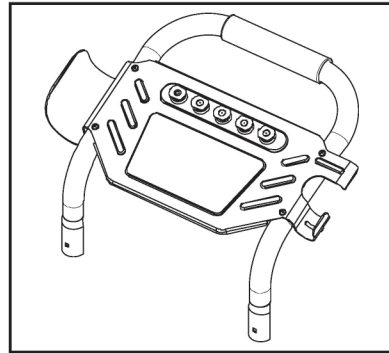
En caso de peligro inminente o de emergencia, apague inmediatamente el motor pulsando el interruptor de parada del motor hacia atrás hasta la posición STOP, y accione el pestillo de bloqueo del gatillo.



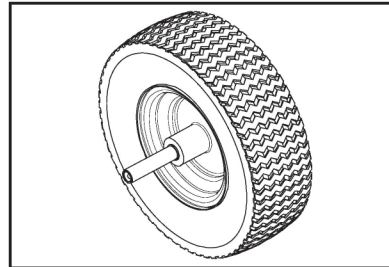
- Mantenga la zona de trabajo limpia y bien iluminada. Las zonas desordenadas y oscuras incitan a los accidentes.
- Sujete siempre firmemente el accesorio de pulverización con ambas manos para controlar las fuerzas reactivas, incluido el par de torsión adicional que se produce al utilizar accesorios de pulverización en ángulo o una varilla de pulverización en ángulo. El chorro de pulverización provoca fuerzas reactivas en el accesorio de pulverización en dirección contraria a la de la pulverización (retroceso o retroceso).
- No dirija nunca el chorro de alta presión hacia usted o hacia otras personas, ni siquiera para limpiar la ropa o el calzado. No dirija el chorro de alta presión hacia los animales.
- No se extienda en exceso. Mantenga el equilibrio y la estabilidad en todo momento. Se debe tener especial cuidado en condiciones resbaladizas y cuando se trabaje en pendientes o terrenos irregulares.
- Para reducir el riesgo de tropezar y perder el control, no camine hacia atrás mientras opera la lavadora a presión.
- Para reducir el riesgo de lesiones por pérdida de control, nunca opere la lavadora a presión mientras esté de pie en una escalera o en cualquier otro soporte inestable.
- Lleve siempre consigo las herramientas, los equipos, las piezas de recambio y los consumibles correspondientes:
 - Herramientas adjuntas en el paquete del producto.
 - Equipos de protección personal.
 - Combustible debidamente reservado
 - Piezas de recambio (cuchilla de repuesto, etc.).
 - Las cosas que hay que notificar a su trabajo son (cuerda, señales de advertencia, etc.).
 - Silbato (para colaboración o emergencia).

- Compruebe que no hay transeúntes, niños ni animales en la zona de trabajo general. Si viene alguien:
 - Evite en todo momento las situaciones de peligro. Advierta a los adultos que mantengan a los niños y a los animales domésticos alejados de su zona de trabajo. Tenga cuidado si se le acercan. Las pulverizaciones a alta presión pueden provocar lesiones.
 - Si alguien le llama o le interrumpe mientras trabaja, asegúrese siempre de apagar la pistola y el motor antes de darse la vuelta. Evite trabajar cuando haya personas, especialmente niños, cerca.
 - Esté siempre atento a su entorno y manténgase alerta ante posibles peligros que no pueda oír debido al ruido de la máquina.
 - Asegúrate de tener siempre un buen equilibrio y una postura segura. Coloca los pies ligeramente separados (un poco más que la anchura de tus hombros), de modo que tu peso se distribuya uniformemente entre ambas piernas, y asegúrate de mantener siempre una postura firme y uniforme mientras trabajas.
 - Tenga especial cuidado en condiciones resbaladizas (suelo húmedo), en pendientes o en terrenos irregulares.
 - Evite las condiciones peligrosas. Utilice siempre este producto sobre un suelo seco, sólido y nivelado.
 - No utilice nunca este producto en superficies resbaladizas, húmedas, con barro o con hielo. El área de operación debe estar libre de cualquier obstrucción. Debe haber suficiente espacio para el manejo, y el operador debe permanecer alerta en todo momento.
 - No utilice este producto en zonas húmedas o mojadas ni lo exponga a la lluvia. No lo utilice en zonas donde los humos de la pintura, los disolventes o los líquidos inflamables supongan un peligro potencial.
 - Tenga cuidado con los obstáculos (manguera, plantas, ladrillos, etc.) que podrían hacerle tropezar o dar un salto.
 - No dirija el chorro de alta presión hacia lugares que no pueda ver. Vigile la dirección del chorro en todo momento, tenga mucho cuidado al limpiar obstáculos altos (vehículo grande, edificio, etc.) y compruebe el otro lado del obstáculo antes de empezar a trabajar.
 - No introduzca nunca en la bomba fluidos que contengan disolventes o ácidos no diluidos (por ejemplo, gasolina, aceite de calefacción, disolvente de pintura o acetona). Estas sustancias dañan los materiales utilizados en la máquina. El spray es altamente combustible, explosivo y venenoso.
 - Esté especialmente atento y sea prudente cuando lleve protección auditiva, ya que su capacidad para oír avisos (gritos, alarmas, etc.) está restringida.
 - Para reducir el riesgo de accidentes, tome un descanso suficiente con tiempo suficiente para evitar el cansancio o el agotamiento.
 - Trabaje con calma y cuidado en condiciones de luz diurna y sólo cuando la visibilidad sea buena. Manténgase alerta para no poner en peligro a los demás.
 - Para reducir el riesgo de lesiones graves o mortales por respirar humos tóxicos, asegure una ventilación adecuada cuando trabaje en zanjas, huecos u otros lugares confinados.
 - Nunca mueva o tire de este producto mientras lo pulveriza.
 - Para reducir el riesgo de accidentes, deje de trabajar inmediatamente en caso de náuseas, dolor de cabeza, alteraciones visuales (por ejemplo, reducción del campo de visión), problemas de audición, mareos, deterioro de la capacidad de concentración. Aparte de otras posibilidades, estos síntomas pueden ser causados por una concentración excesiva de gases de escape en la zona de trabajo.
 - Opere su máquina de manera que produzca un mínimo de ruido y emisiones. No haga funcionar el motor innecesariamente, acelere el motor sólo cuando esté trabajando. Para evitar quejas por ruido, en general opere la máquina entre las 8AM y las 5PM en días de semana, y entre las 9AM y las 5PM los fines de semana, detalle que debe consultar en su normativa local.
 - No haga funcionar su máquina en la posición de acelerador de arranque porque la velocidad del motor no puede ser controlada en esta posición.
 - Al operar el motor, no incline el motor o el equipo en un ángulo que provoque el derrame de combustible.
 - Para reducir el riesgo de incendio, no fume mientras opera o está cerca de su máquina. Tenga en cuenta que puede salir vapor de combustible del sistema de combustible. Limpie siempre los residuos vegetales, las virutas, los restos, las hojas y el exceso de lubricante del motor y del silenciador. Tenga en cuenta que debe parar el motor antes de realizar los trabajos de limpieza.
 - Compruebe, sobre todo, que el sistema de combustible no tenga fugas y que los dispositivos de seguridad funcionen correctamente. No siga utilizando su máquina si está dañada. En caso de duda, consulte a su distribuidor o centro de servicio autorizado.
 - El silenciador y otras partes del motor (caja de cambios, aletas del cilindro, bujía) se calientan durante el funcionamiento y permanecen calientes durante un tiempo después de parar el motor. Para reducir el riesgo de quemaduras, no toque el silenciador ni otras partes mientras estén calientes. Mantenga limpia la zona alrededor del silenciador. No permita que la manguera de alta presión entre en contacto con el silenciador.
 - Mantenga el motor y el silenciador libres de hierba, hojas, grasa excesiva o acumulación de carbón para reducir la posibilidad de peligro de incendio.
 - Antes de dejar la máquina sin vigilancia: Apague el motor.
- ## Después de terminar su trabajo
- Apague el motor después de terminar el trabajo. A continuación, cierre el suministro de agua y apriete el gatillo de la pistola para liberar la presión atrapada. Enganche el pestillo de bloqueo del gatillo cuando no lo utilice.

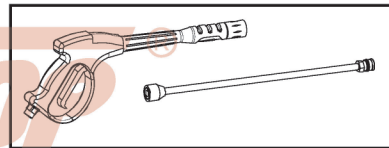
- No ahogue el carburador para detener el motor.
- Desconecte la manguera de entrada de agua entre la máquina y el suministro de agua.
- Después de que el motor se enfríe, limpie el agua con un paño seco, siempre limpie el polvo y la suciedad de la máquina. No utilice disolventes de grasa para este fin.
- No utilice una lavadora a presión para limpiar la máquina. El chorro sólido de agua a alta presión puede dañar las piezas de la máquina.
- Almacene el producto en un área bien ventilada, con el depósito de combustible vacío. Nunca se debe almacenar o colocar combustible cerca del producto.
- Cuando se almacene el producto para el invierno, asegúrese de hacerlo en el interior (a temperatura ambiente), en un lugar seco.



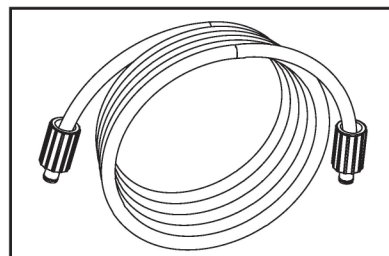
3. Rueda, Cant.=2



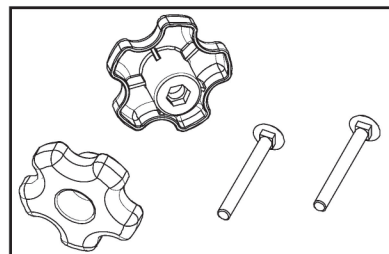
4. Pistola de pulverización, Cant. = 1; Varilla de pulverización, Cant. = 1



5. Manguera de presión, Cant.=1



6. Pomo con pernos, cant. = 2



7. Limpiador de boquillas de pulverización, Cant.=1.

Montaje

Su lavadora a presión requiere algo de montaje. Esta máquina sale de nuestra fábrica sin aceite para el motor. Antes de ponerla en funcionamiento, debe recibir un mantenimiento adecuado con combustible y aceite. Si tiene alguna pregunta sobre el montaje de su hidrolavadora, póngase en contacto con su distribuidor o centro de servicio autorizado.

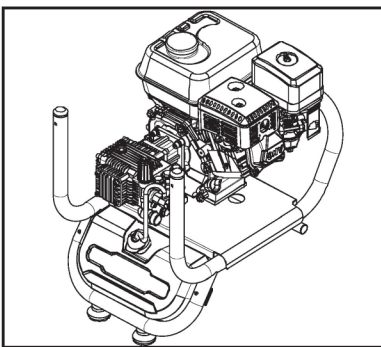
Se requiere un EPI adecuado cuando se desembala la caja y se realiza el trabajo de montaje.

Puede necesitar una llave ajustable, un destornillador, gasolina sin plomo, aceite de motor, una manguera de jardín estándar, etc.

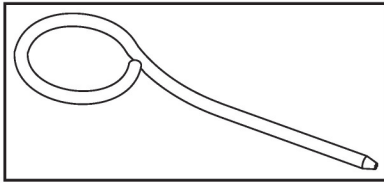
Piezas incluidas en el paquete

Un paquete estándar de lavadora de alta presión contiene los elementos que se ilustran o enumeran a continuación:

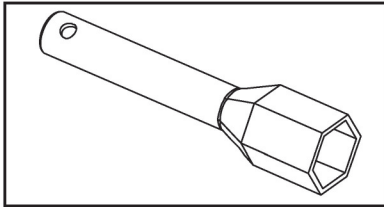
1. Marco principal, Cant.=1



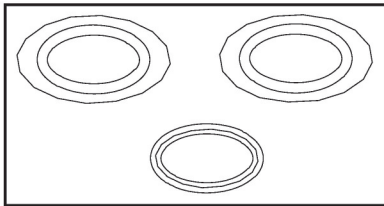
2. Asa, Cant.=1



8. Llave de bujías, Cant.=1



9. Junta tórica de repuesto, cantidad = 1 juego (2 para la manguera de presión y 1 para el conector rápido).



10. Otros artículos no mostrados:

- Manual del propietario, Cantidad = 1 juego.
- Tornillos (perno, tuerca, arandela), cantidad = 1 juego.

Desembalar la lavadora a presión

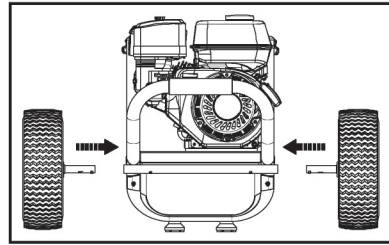
1. Coloque la caja de envío en una superficie sólida y plana.
2. Retire el plástico de burbujas y otros materiales de embalaje.
3. Saque todas las piezas de la caja, excepto la lavadora a presión.
4. Corta con cuidado cada esquina de la caja de arriba a abajo.

Instalación de las ruedas

AVISO

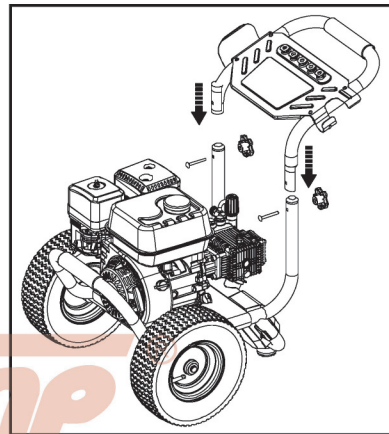
Asegúrese de que hay suficiente aire en las ruedas antes del montaje.

1. Coloque el bastidor principal inferior sobre una superficie sólida y plana.
2. Levante el bastidor principal con una mano para dejar espacio suficiente para la instalación de las ruedas.
3. Presione el pasador con resorte en el eje de la rueda, y luego inserte el eje de la rueda en el tubo del bastidor principal inferior hasta que el pasador se alinee con el orificio de fijación y encaje.
4. Repita este procedimiento para instalar otra rueda.

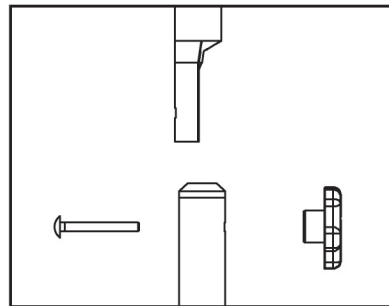


Conjunto de asa superior

1. Alinee dos postes de la manija superior con el marco inferior.
2. Deslice el asa superior hacia abajo en los tubos del bastidor inferior hasta que los orificios de fijación coincidan.



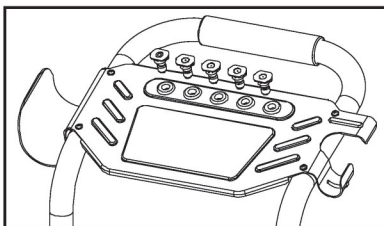
3. Introduzca los tornillos de cuello cuadrado y apriételes bien con el pomo.



4. Repita este procedimiento para el lado opuesto.

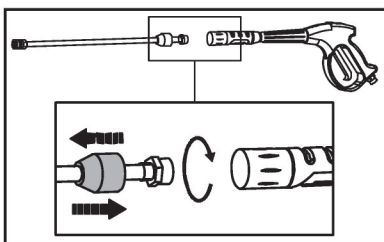
Colocación de las boquillas de pulverización

Inserte las 5 boquillas en la almohadilla de boquillas de la parte superior del bastidor principal, para que estén listas para el próximo uso.



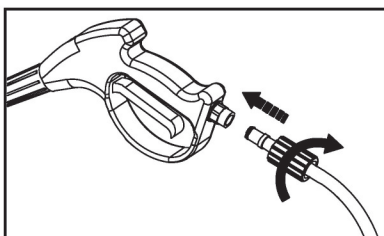
Conjunto de pistola y varilla

1. Tire hacia atrás de la pieza de goma para dejar al descubierto el accesorio roscado.
2. Conecte la varilla de pulverización a la pistola de disparo.
3. Enrosque el gatillo de la pistola en el sentido de las agujas del reloj hasta que la varilla de pulverización esté asegurada. **NO APRIETE DEMASIADO.**
4. Mueva la pieza de goma hacia atrás.



Conecte la manguera de presión a la pistola pulverizadora

1. Alinee el conector de un extremo de la manguera de presión con el conector de la pistola pulverizadora.
2. Gire la tuerca de plástico en el sentido de las agujas del reloj para conectar la manguera de presión a la pistola. Apriete bien la tuerca de plástico. **NO APRIETE DEMASIADO.**



Aceite de la bomba

! AVISO

El aceite de la bomba no está incluido.

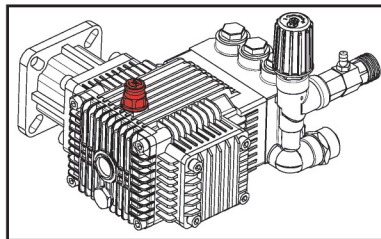
! AVISO

Operar la bomba con poco aceite o sin aceite causará daños permanentes y **ANULARÁ LA GARANTÍA.**

! AVISO

Si la bomba funciona sin agua, se producirán daños permanentes.

El enchufe rojo de la bomba es sólo para el envío. Sustituya el enchufe rojo por el enchufe negro VENTILADO antes del primer uso.



1. Retire el tapón rojo y llene la bomba con 400 ml de aceite SAE15W-40. O llene el aceite a 1/2 nivel de la mirilla de aceite.
2. Enrosque el tapón negro VENTILADO en el orificio del tapón de aceite de la bomba.

! AVISO

Compruebe el nivel de aceite de la bomba antes de cada uso.

Aceite de motor

! AVISO

Este motor se ha enviado sin aceite. Antes de arrancar el motor, asegúrese de añadir aceite según las instrucciones de este manual. Si arranca el motor sin aceite, se dañará de forma irreparable y no estará cubierto por la garantía.

! AVISO

Las hidrolavadoras nuevas no tienen aceite de motor en el cárter cuando salen de fábrica.

No intente arrancar el motor antes de que se haya llenado correctamente con el tipo y la cantidad de aceite de motor recomendados, ya que de lo contrario podría dañarse la lavadora a presión.

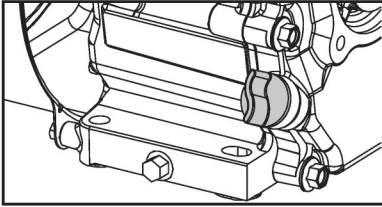
Compruebe siempre el nivel de aceite del motor antes de arrancarlo, en una superficie plana.

! AVISO

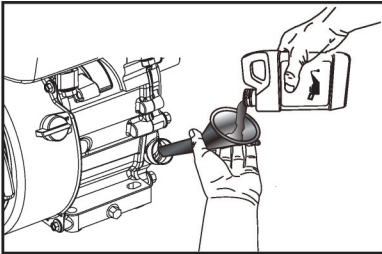
El tipo de aceite de motor recomendado es SAE 10W-30, la capacidad del cárter de aceite es de 0,6L.

Añadir aceite de motor

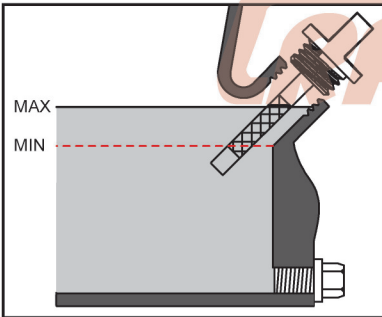
1. Coloque la lavadora a presión en una superficie plana y nivelada.
2. Limpie la varilla/tapa del indicador de aceite y la zona que la rodea para asegurarse de que no caiga suciedad en el cárter.



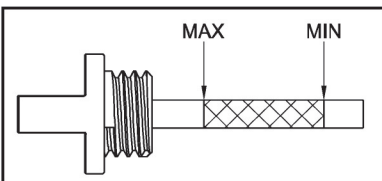
3. Gire la varilla/tapa del indicador de aceite en sentido contrario a las agujas del reloj, retírela y límpiela con un paño limpio.
4. Añada aceite de motor en el cárter a través del orificio de instalación ó n de la varilla/tapa del indicador de aceite (puede ser necesario un embudo de combustible en este caso). No llene en exceso.



5. Vuelva a introducir la varilla del indicador de aceite y tire de ella para comprobar el nivel de aceite.



6. Si el nivel de aceite está justo en el marcador MIN o por debajo, rellene con aceite SAE 10W-30 a través del orificio de la varilla hasta que el nivel de aceite esté entre el marcador MIN y MAX.



7. Vuelva a colocar la varilla del indicador de aceite y apriétela girando en el sentido de las agujas del reloj.

Combustible y abastecimiento

AVISO

Las hidrolavadoras nuevas no tienen aceite de motor en el cárter cuando salen de fábrica.

No intente arrancar el motor antes de que se haya llenado correctamente con el tipo y la cantidad de aceite de motor recomendados, ya que de lo contrario podría dañarse la lavadora a presión.

Compruebe siempre el nivel de aceite del motor antes de arrancarlo, en una superficie plana.

Combustible

ADVERTENCIA

La gasolina es muy inflamable. Evite fumar o acercarse cualquier llama o chispa al combustible. Asegúrese de parar el motor y dejar que se enfríe antes de repostar la máquina. Seleccione un terreno descubierto al aire libre para repostar y aléjese al menos 3 m (10 pies) del punto de fumigación antes de poner en marcha el motor.

El tipo de combustible recomendado es gasolina normal sin plomo con un octanaje mínimo de 87 y un contenido de etanol inferior al 10% en volumen, la capacidad del depósito de combustible es de 3,6L.

Se trata de un motor de 4 tiempos y no requiere una mezcla de gas/aceite. Hay un depósito separado para el gas y otro para el aceite.

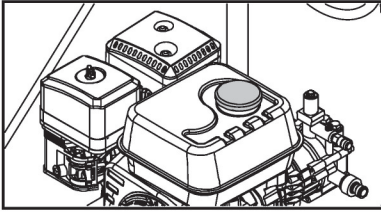
AVISO

No utilice aceite mezclado con gasolina para esta máquina

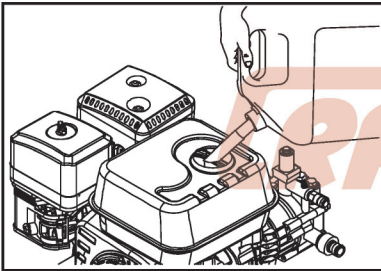
- Las emisiones de gases de escape se controlan mediante los parámetros y componentes fundamentales del motor (por ejemplo, la carburación, la sincronización del encendido y la sincronización de los puertos) sin añadir ningún tipo de hardware importante ni introducir un material inerte durante la combustión.
- Si utiliza una gasolina de un octanaje inferior al prescrito, existe el peligro de que la temperatura del motor aumente y, en consecuencia, se produzca un problema en el motor, como el agarrotamiento de los pistones.
- Se recomienda utilizar gasolina sin plomo para reducir la contaminación del aire por el bien de su salud y del medio ambiente.
- La gasolina o el aceite de mala calidad pueden dañar los anillos de sellado, los conductos de combustible o el depósito de combustible del motor.
- Tenga cuidado al manipular la gasolina. Evite el contacto directo con la piel y evite inhalar los vapores del combustible.

Abastecimiento de combustible

1. Antes de repostar, limpie el tapón de llenado y la zona que lo rodea para asegurarse de que no caiga suciedad en el depósito de combustible.



2. Gire el tapón de combustible en sentido contrario a las agujas del reloj, afloje un poco el tapón de combustible con cuidado para que la presión que se haya acumulado en el depósito de combustible se libere lentamente. No retire nunca el tapón de combustible con el motor en marcha.
3. Utilice combustible sin plomo, limpio y fresco, con un octanaje mínimo de 87 y un contenido de etanol inferior al 10% en volumen.
4. Añada lentamente combustible al depósito. No llene el depósito en exceso. El combustible puede salirse del depósito como resultado de la expansión si se llena en exceso, y puede afectar a la condición de funcionamiento estable de la máquina. Al llenar el depósito, se recomienda dejar espacio suficiente para que el combustible se expanda. Deje un espacio mínimo de 13 mm (0,5 pulgadas) por debajo de la parte inferior del cuello de llenado para proporcionar espacio para la expansión.



5. Apriete bien el tapón de combustible en el sentido de las agujas del reloj después de repostar.
6. Limpie el combustible derramado.

Detergente

! AVISO

Esta lavadora a presión está destinada a ser utilizada únicamente con detergentes especiales para lavadoras a presión. Siga las instrucciones del fabricante del detergente, utilice únicamente detergentes recomendados para lavadoras a presión. El uso de detergentes no recomendados específicamente para su uso con lavadoras a presión puede causar daños a la bomba y a otros componentes de la lavadora a presión. Los daños causados a la lavadora a presión por el uso de detergentes no recomendados no están cubiertos por la garantía.

! AVISO

No utilice jabones en polvo que obstruyen el sistema de inyección.

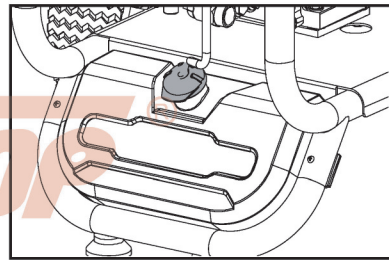
! AVISO

Trabajar con un detergente asegura una rápida absorción de la suciedad, y permite que el agua a alta presión penetre y elimine la suciedad con mayor eficacia. Rocíe siempre el detergente sobre una superficie seca, no empape la zona. El remojo de la superficie diluye el detergente y reduce su capacidad de limpieza.

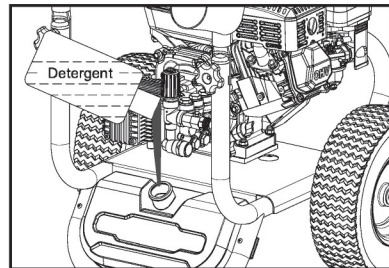
Algunos trabajos de limpieza pueden completarse utilizando sólo agua, pero para la mayoría, es ventajoso utilizar un detergente para penetrar y eliminar la suciedad con mayor eficacia. Cuando utilice un detergente aprobado para lavadoras a presión, asegúrese de que la superficie esté limpia y seca. No se recomienda mojar la superficie primero; diluirá el detergente y reducirá la eficacia de la limpieza.

Añada detergente

1. Si es necesario, añada el detergente a un recipiente aparte y dilúyalo con agua en la proporción especificada por el fabricante del detergente. No lo diluya en el depósito de detergente de la lavadora a presión.
2. Gire el tapón del depósito de detergente en sentido contrario a las agujas del reloj para abrirlo.



3. Añada detergente en el depósito. No llene en exceso. Si es necesario, se recomienda utilizar un embudo. Esta hidrolavadora está destinada a utilizarse únicamente con detergentes para hidrolavadoras.



4. Gire la tapa del depósito de detergente en el sentido de las agujas del reloj para apretar bien la tapa del detergente.
5. Limpie el detergente derramado.

! AVISO

Cuando termine con el detergente, apriete el gatillo del rociador y continúe la limpieza con agua fría limpia, esto puede ayudar a eliminar algunos residuos de detergente en la máquina y los accesorios.

Limpeza con detergentes

- Cuando use detergente, utilice siempre la boquilla negra para detergente.
- Al aplicar los detergentes, utilice siempre la máquina con una presión de agua baja. Esto proporciona una aplicación suave del detergente, con una presión de agua equivalente a la de una manguera de jardín. Pruebe siempre el detergente en una zona oculta antes de utilizarlo.
- El detergente líquido se mezclará con el agua automáticamente, y se descargará a través de la boquilla de detergente a baja presión.
- Evite rociar agua sobre la superficie de limpieza cuando esté caliente o bajo la luz directa del sol, esto minimizará las posibilidades de que el detergente dañe la superficie pintada.
- No deje que el detergente se seque o puede dañar la superficie pintada. Deje que el detergente permanezca en la superficie durante un breve periodo de tiempo antes de aclarar con agua limpia a alta presión.

Preparación

! AVISO

Compruebe siempre el nivel de aceite del motor antes de poner en marcha la máquina. Si no lo hace, el motor podría agarrarse si el aceite está bajo o vacío.

Lista de comprobación previa a la operación

Siga los siguientes pasos antes de utilizar la máquina cada vez:

1. Compruebe la ubicación de la lavadora a presión.

! AVISO

Esta lavadora a presión debe tener un espacio libre de al menos 1,5 m (5 pies) con respecto a materiales combustibles. Deje por lo menos 90 cm (3 pies) de espacio libre en todos los lados de la lavadora a presión para permitir el enfriamiento, el mantenimiento y el servicio adecuados. Coloque la lavadora a presión en un área bien ventilada. No coloque el equipo de lavado a presión cerca de rejillas de ventilación o tomas de aire en las que los gases de escape puedan entrar en espacios ocupados o confinados. Tenga en cuenta el viento y las corrientes de aire cuando coloque la lavadora a presión.

2. Compruebe el nivel de aceite del motor para asegurarse de que se encuentra en la posición adecuada.
3. Compruebe el nivel de combustible y rellene si es necesario. Añada combustible y compruebe el nivel de combustible para asegurarse de que hay suficiente gasolina en el depósito.
4. Seleccione la boquilla de pulverización adecuada y asegúrese de que está instalada en el extremo de la varilla de pulverización de forma segura.

5. Conecte firmemente la manguera de alta presión a la salida de la bomba y conecte el otro extremo a la pistola.
6. Conecte firmemente la manguera de jardín a la entrada de la bomba y abra el grifo. El suministro de agua debe proporcionar un mínimo de 4GPM a 20PSI, de lo contrario la bomba puede dañarse.
7. Si va a utilizar detergente para la limpieza, compruebe/añada el detergente en el depósito de detergente.
8. El agua debe estar abierta antes de poner en marcha la lavadora, apriete el gatillo de pulverización para asegurarse de que el agua se mueve por los conductos y sale por la boquilla sin ninguna fuga antes de poner en marcha la máquina.
9. Compruebe que no hay fugas de aceite, combustible o agua.
10. Compruebe y observe todas las precauciones de seguridad e instrucciones de este manual antes de poner en marcha la máquina.

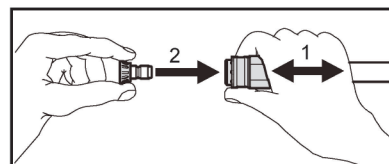
Instalar la boquilla de pulverización

! ADVERTENCIA

Antes de desmontar, instalar o ajustar cualquier boquilla de pulverización o accesorio, asegúrese de apagar el equipo de lavado a presión, aliviar la presión del sistema y enganchar el pestillo de bloqueo del gatillo de pulverización; de lo contrario, pueden producirse lesiones graves.

El extremo de la varilla de pulverización tiene un acoplamiento de conexión rápida, que le permite conectar, cambiar y desconectar la boquilla de pulverización fácilmente.

1. Apague la lavadora a presión y apriete el gatillo de pulverización para aliviar la presión del sistema.
2. Enganche el pestillo de bloqueo del gatillo de pulverización.
3. Seleccione la boquilla de pulverización adecuada para su trabajo de limpieza.
4. Retire toda la arena y los residuos de la boquilla y el acoplador.
5. Tire del collarín del enganche (1) hacia atrás hasta el tope y manténgalo así.



6. Introduzca la boquilla de pulverización (2) hasta el tope en el acoplamiento.
7. Empuje el manguito de acoplamiento hacia delante hasta el tope.
8. Tire de la boquilla de pulverización y confirme que está bien asentada en el acoplador.

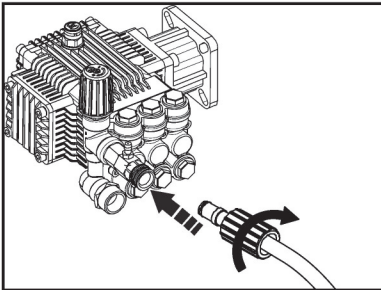
! ADVERTENCIA

Confirme que la boquilla de pulverización está bien fijada en el acoplamiento de conexión rápida en un

extremo de la varilla de pulverización. Si la boquilla de alta presión no está bien fijada, puede salir disparada de la varilla de pulverización durante el funcionamiento y causar lesiones.

Conecte la manguera de presión a la bomba

1. Alinee un extremo del racor de la manguera con la salida de la bomba. Asuma que el otro extremo de la manguera ya ha sido conectado a la pistola.
2. Inserte/coincida completamente el accesorio roscado con la salida.
3. Gire la tuerca de plástico de la manguera en el sentido de las agujas del reloj para apretar la manguera de forma segura a la bomba.



Suministro de agua (sólo agua fría)

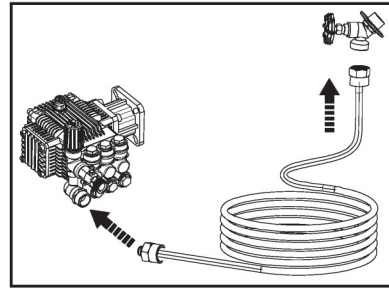
La unidad debe utilizarse sólo con suministro de agua fría. La manguera de agua debe tener un diámetro mínimo de 13 mm.

El caudal de agua no debe ser inferior a 18 litros por minuto (LPM) (4 galones por minuto (GPM)), o la bomba podría resultar dañada. El caudal puede determinarse dejando correr el agua durante un minuto en un recipiente vacío.

La temperatura del suministro de agua no debe superar los 40°C(104°F).

Conecte la manguera de jardín a la bomba

1. Alinee un extremo de la manguera con la entrada de la bomba. Supongamos que el otro racor de la manguera ya está conectado a la fuente de suministro de agua, sólo agua fría.
2. Insertar/coincidir completamente el accesorio roscado con la entrada.
3. Gire la tuerca de plástico de la manguera en el sentido de las agujas del reloj para apretar la manguera de forma segura a la bomba.



Arrancar y parar el motor

⚠ ADVERTENCIA

Es muy peligroso hacer funcionar una hidrolavadora que esté equipada con piezas rotas o que carezca de alguna de ellas. Antes de arrancar el motor, asegúrese de que todas las piezas, incluidas las cuchillas de corte y la protección de las cuchillas, estén instaladas correctamente.

⚠ ADVERTENCIA

Para reducir el riesgo de lesiones graves o incluso mortales:

- No permita que los niños u otras personas no autorizadas intenten poner en marcha o utilizar la máquina.
- Nunca permita el acceso de niños o personas no autorizadas a la máquina.
- No deje nunca la máquina desatendida mientras trabaja o durante las pausas de trabajo
- Después del trabajo, guarde la máquina en un lugar seguro, fuera del alcance de los niños y otras personas no autorizadas
- Respete las precauciones e instrucciones de seguridad.

⚠ ADVERTENCIA

Al arrancar el motor, asegúrese de que su cuerpo no entre en contacto con el silenciador. Un silenciador caliente puede provocar graves quemaduras.

ⓘ AVISO

No haga funcionar el motor durante más de 15 segundos sin pulsar el gatillo de la varilla, ya que de lo contrario podría dañarse la bomba.

ⓘ AVISO

No arranque el motor con la bujía quitada.

Arrancar el motor

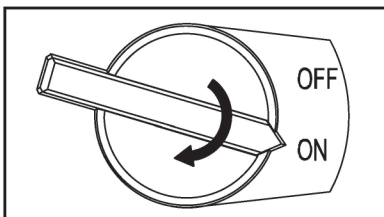
⚠ ADVERTENCIA

No ponga en marcha ni detenga nunca la hidrolavadora si no está abierto el suministro de agua.

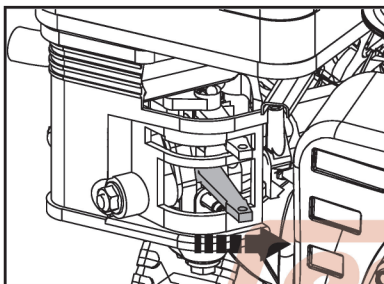
1. Termine los procedimientos descritos en la sección de *lista de comprobación previa a la operación*,

asegúrese de que su máquina está lista para arrancar el motor.

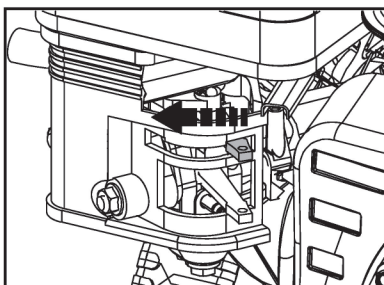
- Coloque la máquina sobre un suelo plano y firme en una zona despejada.
- Apriete el gatillo de la pistola pulverizadora hasta que haya un flujo constante de agua. Esto permitirá que el aire salga de la manguera para cebar la bomba.
- Ponga el interruptor del motor en la posición "ON".



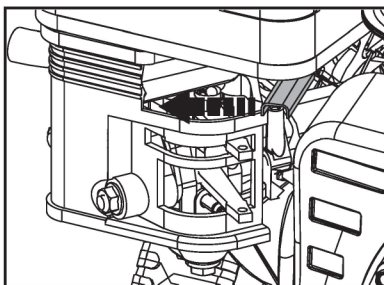
- Mueva la válvula de combustible hacia la derecha a la posición "ON".



- Mueva la palanca del estrangulador hacia la izquierda hasta la posición "CLOSE".

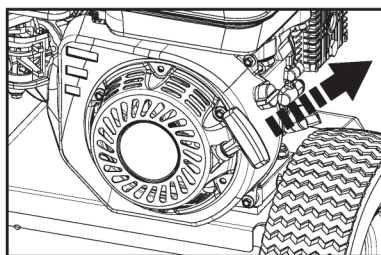


- Mueva la palanca del acelerador hacia la izquierda hasta su posición máxima.



- Agarre firmemente el mango de la cuerda de arranque, tire de ella lentamente hasta que sienta

resistencia y, a continuación, tire rápidamente hasta arrancar el motor (o 5 tirones como máximo).

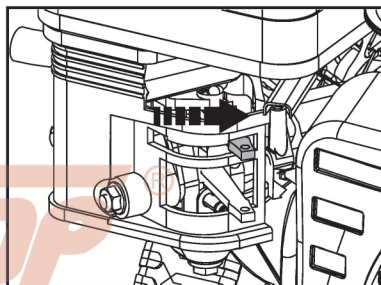


AVISO

No tire de la cuerda de arranque hasta el final, ya que podría romperse.

No deje que la cuerda de arranque vuelva por sí sola. Guíelo lentamente hacia la carcasa, para que la cuerda de arranque pueda rebobinarse correctamente.

- Después de que el motor se encienda (o 5 tirones), mueva la palanca del estrangulador hacia la derecha a la posición "OPEN".



- Reinicie el motor si es necesario, y deje que la máquina se caliente a velocidad de ralentí.

AVISO

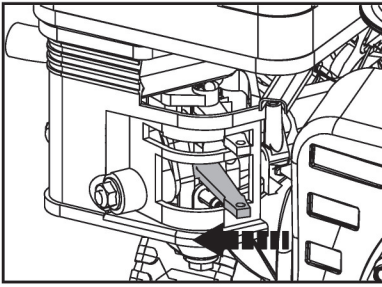
Si el motor no arranca con la palanca del estrangulador en posición "ABIERTA" después de 5 tirones, repita los pasos 3 ~ 9.

AVISO

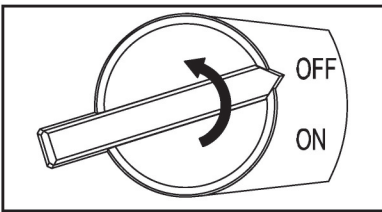
Cuando vuelva a arrancar el motor inmediatamente después de haberlo parado, deje la palanca del estrangulador en posición "OPEN".

Parar el motor

- Si utiliza detergente, después de limpiar con él, llene el depósito de detergente con agua limpia. Pulverice agua a baja presión durante un minuto, para que todo el detergente salga del sistema.
- Mueva la válvula de combustible hacia la izquierda a la posición "OFF".



- Deje que el motor funcione hasta que la falta de combustible haya detenido el motor. Esto suele tardar unos minutos.
- Ponga el interruptor del motor en la posición "OFF".



- Apriete y mantenga apretado el gatillo de pulverización hasta que el agua sólo gotee de la boquilla de pulverización y el sistema esté despresurizado.
- Cierre el suministro de agua y desenchufe todas las mangueras.

ADVERTENCIA
No ponga en marcha ni detenga nunca la hidrolavadora si no está abierto el suministro de agua.

ADVERTENCIA
Asegúrese siempre de que la válvula de combustible y el interruptor del motor están en la posición "OFF" cuando el motor no está en uso.

ADVERTENCIA
Si el motor no se detiene cuando el interruptor de parada del motor se mueve a la posición "STOP", mueva la palanca de control del estrangulador a la posición "CLOSE" para detener el motor. Pida a su concesionario o centro de servicio autorizado que repare el interruptor de parada del motor antes de volver a utilizar la máquina.

- Cierre el suministro de agua y desconecte el suministro de agua de la entrada de agua.
- Apunte la pistola pulverizadora en una dirección segura, presione el seguro del gatillo y apriete el gatillo de la pistola pulverizadora para aliviar la alta presión de agua retenida. Enganche el seguro del gatillo de la pistola pulverizadora
- Desconecte la manguera de jardín de la bomba.
- Desconecte la manguera de presión de la bomba y la pistola de presión para su almacenamiento. Para las instrucciones de almacenamiento a largo plazo, consulte el manual de instrucciones.
- Rebobine la manguera de presión y conéctela al gancho de la manguera.

- Desconecte la pistola y la varilla, e insértelas en el soporte superior de la pistola.
- Dobla el mango y guárdalo.

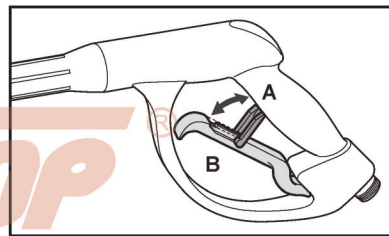
AVISO
Después de apagar la máquina, espere 20 minutos para evitar que las piezas de plástico se quemen con el silenciador, y luego pliegue el mango.

Operación

AVISO
No utilice este limpiador a presión a temperaturas inferiores a 5°C. El funcionamiento de la lavadora a presión a temperaturas inferiores a 5°C puede dañar la bomba y otras piezas de la lavadora a presión.

Activar el gatillo de pulverización

- Dirija el accesorio de pulverización hacia la superficie a limpiar.
- Suelte el pestillo de bloqueo del gatillo (A).
- Apriete el gatillo de pulverización (B).

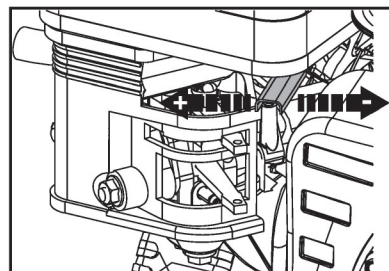


Desactivar el gatillo de pulverización

- Suelte el gatillo de pulverización (B)
- Enganche el pestillo de bloqueo del gatillo (A).
- Apriete ligeramente el gatillo de pulverización (B) para asegurarse de que el pestillo de bloqueo del gatillo (A) está en el lugar de bloqueo correcto.

Ajustar la presión del agua

La presión del agua se regula con la palanca del acelerador.



Al mover la palanca del acelerador hacia la izquierda (dirección rápida) aumentará la velocidad del motor, con lo que aumentará la presión del agua.

Si se mueve la palanca del acelerador hacia la derecha (dirección lenta), disminuirá la velocidad del motor y, por tanto, la presión del agua.

i información

Cuando se mueve el acelerador del motor al mínimo (m ás a la derecha), la potencia de salida del motor es baja.

Por favor, no opere la máquina, si no, la máquina será parada de la llama debido a la baja potencia de salida del motor.

Técnicas de trabajo

En esta sección se describe la técnica de trabajo básica con las normas de seguridad para el uso de una hidrolavadora de alta presión para realizar su trabajo de limpieza. Esta información no sustituye las habilidades y la experiencia profesional. Si se encuentra en una situación en la que se siente inseguro, deténgase y busque el consejo de un experto. No intente realizar ninguna tarea de la que se sienta inseguro.

! ADVERTENCIA

Los gases de escape del motor están calientes y pueden provocar graves quemaduras. Los gases de escape del motor contienen monóxido de carbono (CO), un gas venenoso. Respirar CO puede causar inconsciencia, lesiones graves o la muerte. Coloque siempre la máquina de forma que los gases de escape se dirijan lejos de su cara y cuerpo.

i información

Respete todas las normas y reglamentos específicos del país o del municipio para recortar los setos.

No utilice la máquina durante los períodos de descanso normales de otras personas.

Distancia de las superficies de limpieza

La distancia entre la boquilla de pulverización y la superficie de limpieza es uno de los factores importantes que afectan a la fuerza de impacto del agua. La fuerza de impacto del agua aumenta a medida que la boquilla de pulverización se acerca a la superficie.

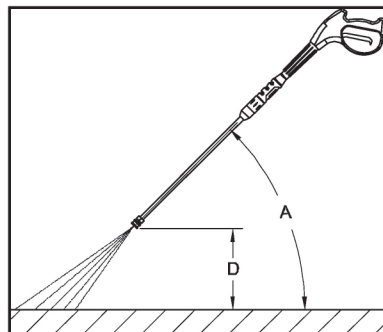
Se puede variar la fuerza de impacto controlando:

- El patrón de pulverización de la boquilla.
- El ángulo de la boquilla con respecto a la superficie de limpieza.
- La distancia de la boquilla a la superficie de limpieza.

No utilice nunca un chorro estrecho de alto impacto en una superficie susceptible de sufrir daños. Evite rociar las ventanas con un chorro estrecho de alto impacto o con una boquilla turbo. Hacerlo puede romper el cristal.

1. Antes de disparar la pistola, seleccione una boquilla de pulverización con un patrón de pulverización amplio.

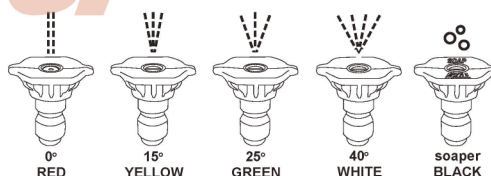
2. Coloque la boquilla a una distancia aproximada de 16-20 cm de la superficie de limpieza.
3. Mantenga la boquilla en un ángulo de 45 grados (A) con respecto a la superficie de limpieza con una distancia (D) de 6~8 pulgadas (15~20cm), luego dispare la pistola.



4. Varíe el ángulo de pulverización del patrón y la distancia a la superficie de limpieza hasta conseguir una eficacia de limpieza óptima sin dañar la superficie.

Selección de boquillas de pulverización

El patrón de pulverización puede ajustarse instalando una boquilla de pulverización adecuada. El limpiador a presión viene con cinco (5) tipos de boquillas de alta presión que pueden conectarse al extremo de la varilla de pulverización, 0°, 15°, 25°, 40° y una boquilla de detergente. Las puntas de pulverización varían el patrón de pulverización como se muestra a continuación.



- 0° (rojo) - Chorro de agua fino y potente para las manchas difíciles y la eliminación de residuos.
- 15° (amarillo) - Pulverización angular fina para una limpieza focalizada.
- 25° (verde) - Pulverizador de ángulo medio para una limpieza focalizada.
- 40° (blanco) - Patrón de abanico grande para aplicaciones de limpieza más amplias.
- Jabón / Detergente (negro) - Esta boquilla debe utilizarse junto con un detergente de limpieza a baja presión. Utilice esta boquilla únicamente cuando utilice un detergente o una solución de limpieza.

! ADVERTENCIA

Antes de desmontar, instalar o ajustar cualquier boquilla de pulverización o accesorio, asegúrese de apagar el equipo de lavado a presión, aliviar la presión del sistema y enganchar el pestillo de bloqueo del gatillo de pulverización; de lo contrario, pueden producirse lesiones graves.

Calendario de mantenimiento

<p>¡IMPORTANTE! Los intervalos de tiempo indicados son máximos. El uso real y su experiencia determinarán la frecuencia del mantenimiento necesario.</p>		Antes de empezar a trabajar	Diariamente y/o al final del trabajo	Cada vez que se rellena el depósito	Semanal	Mensualmente	Anualmente	si hay un fallo	Si hay un daño	Según se requiera
Sistema / Componente	Procedimiento de mantenimiento									
Máquina completa	Inspección visual (estado, fuga)	√								
	Limpia		√							√
Interruptor del motor, palanca del acelerador, palanca del combustible, palanca del estrangulador, gatillo del pulverizador, pestillo de bloqueo del gatillo	Prueba de funcionamiento	√				√	√			
Filtro de aire	Inspeccionar	√				√				
	Limpia				√					
	Sustituir				√		√		√	√
Sistema de combustible	Inspeccionar	√			√					
	Limpia		√							√
	Sustituir								√	
Filtro de combustible	Inspeccionar	√				√				
	Sustituir						√		√	√
Junta del tapón de combustible	Inspeccionar	√			√					
	Sustituir								√	
Depósito de combustible	Limpia									
Cuerda de arranque de bobina	Inspeccionar	√			√					
	Limpia		√							
Carburador	Inspeccionar									
	Ajustar									√
Sistema de refrigeración	Inspeccionar	√			√					
	Limpia		√							
Bujía	Inspeccionar	√			√					
	Limpia		√							
	Ajustar									√
	Sustituir								√	√
Elementos de fijación, incluidos pernos, tornillos y tuercas	Inspeccionar	√			√					
	Apretar									√
	Sustituir								√	
Etiqueta de información de seguridad	Sustituir								√	



ADVERTENCIA

Las piezas móviles pueden amputar los dedos o causar lesiones graves. Mantenga las manos, la ropa y los objetos sueltos alejados de todos los accesorios móviles.

Detenga siempre el motor, desconecte la bujía y asegúrese de que todas las piezas en movimiento se han detenido por completo antes de eliminar obstrucciones, limpiar los residuos o realizar el mantenimiento de la unidad.

Deje que la máquina se enfríe antes de realizar el servicio de mantenimiento. Utilice guantes para proteger las manos de los bordes afilados y las superficies calientes.

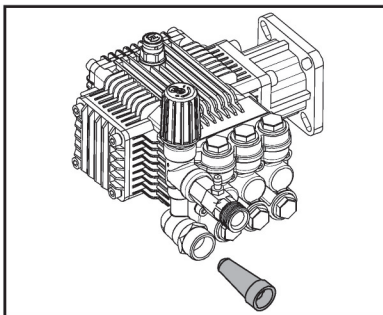
Antes de limpiar, inspeccionar o reparar la máquina, asegúrese de que el motor se ha parado y enfriado. Desconecte la bujía para evitar un arranque accidental.

Filtro de entrada de agua

Esta hidrolavadora lleva pre instalado un filtro de entrada de agua.

Este filtro de agua debe mantenerse limpio en todo momento, de lo contrario restringirá el flujo de agua a la lavadora a presión y puede dañar la bomba.

1. Retire el acoplamiento rápido de la entrada de agua.
2. Limpie el filtro con un cepillo de plástico suave o enjuáguelo con agua. Sustitúyalo si está dañado.
3. Vuelva a instalar el filtro de agua.
4. Vuelva a instalar el acoplamiento rápido.



AVISO

No opere esta lavadora a presión sin el filtro de entrada de agua en su lugar, ya que los depósitos podrían acumularse internamente y afectar el funcionamiento de la máquina.

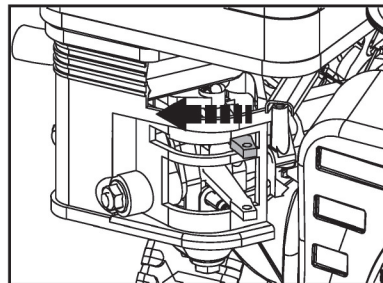
Filtro de aire



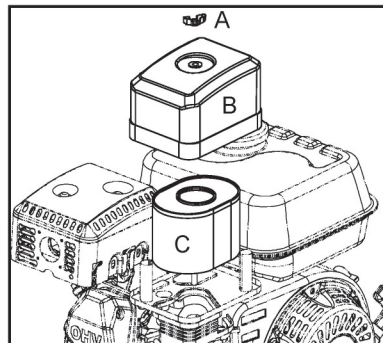
AVISO

El filtro de aire debe ser revisado después de un almacenamiento prolongado, los siguientes pasos deben ser realizados al revisar el filtro de aire. Se recomienda sustituir el filtro de aire una vez cada primavera.

1. Mueva la palanca del estrangulador hacia la izquierda a la posición "CLOSE". Esto evita que entre suciedad en la garganta del carburador cuando se retira el filtro de aire.



2. Cepille la suciedad acumulada en la zona del filtro de aire.
3. Afloje y retire la tuerca de mariposa (A) de la parte superior de la tapa del filtro de aire.
4. Retire la tapa del filtro de aire (B). Cepille la suciedad del interior de la tapa.
5. Retire el filtro de aire (C), lave el filtro en queroseno, exprima el queroseno, empape el filtro en aceite de motor y exprima el aceite de motor. Sustituya el filtro de aire si está dañado, empapado de combustible o muy sucio.
6. Seque el filtro de aire completamente antes de volver a instalarlo.
7. Instalar el filtro de aire.
8. Instalar la tapa del filtro de aire.
9. Enrosque la tuerca de mariposa y apriétela bien. No apriete demasiado.



Filtro de combustible

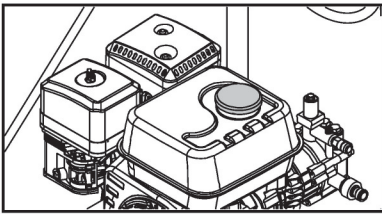


PELIGRO

El combustible es muy inflamable. Tenga mucho cuidado al mezclarlo, almacenarlo o manipularlo, o puede provocar graves daños personales.

1. Utilice un trapo limpio para eliminar la suciedad suelta alrededor del tapón de combustible y vacíe el depósito de combustible.
2. Utilice un gancho para la línea de combustible para sacar la línea de combustible y el filtro del tanque.
3. Retire el filtro de combustible usado de la línea y sustitúyalo por un filtro de combustible nuevo.

4. Instale el nuevo filtro de combustible.



Cambiar el aceite del motor

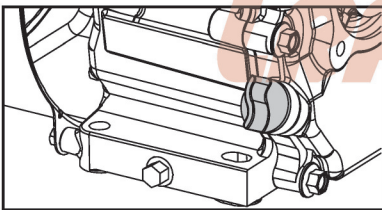
! AVISO

Cambie el aceite del motor cuando el motor esté caliente.

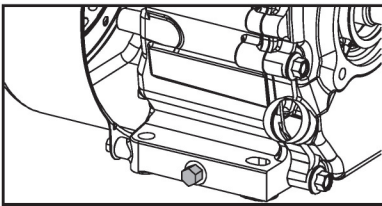
! AVISO

El aceite del motor debe sustituirse después de las primeras 20 horas de funcionamiento, o después del primer mes de uso. Después, debe sustituirse cada 100 horas o cada 6 meses.

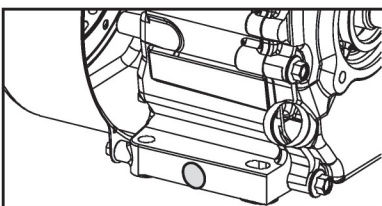
1. Coloque la lavadora a presión en una superficie plana y nivelada.
2. Apagar el motor
3. Coloque una bandeja de aceite debajo del puerto de drenaje de aceite.
4. Limpie la varilla/tapa del indicador de aceite y la zona que la rodea para asegurarse de que no caiga suciedad en el cárter.



5. Gire la varilla/tapa del indicador de aceite en sentido contrario a las agujas del reloj, retírela y límpiela con un paño limpio.

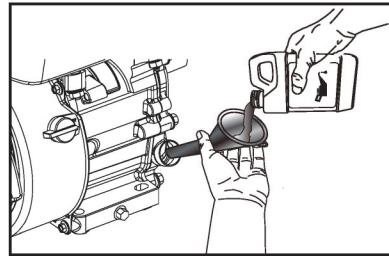


6. Retire el tapón de drenaje de cabeza hexagonal, deje que el aceite se drene completamente.

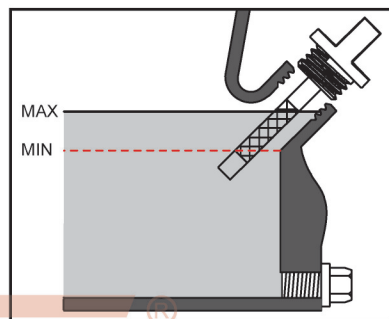


7. Vuelva a instalar el tapón de drenaje de cabeza hexagonal.

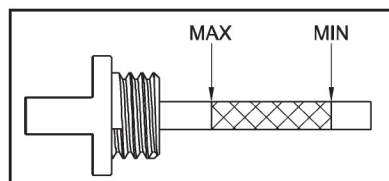
8. Añada aceite de motor en el cárter a través del orificio de instalación ó n de la varilla/tapa del indicador de aceite (puede ser necesario un embudo de combustible en este caso). No llene en exceso.



9. Vuelva a introducir la varilla del indicador de aceite y tire de ella para comprobar el nivel de aceite.



10. Si el nivel de aceite está justo en el marcador MIN o por debajo, rellene con aceite SAE 10W-30 a través del orificio de la varilla hasta que el nivel de aceite esté entre el marcador MIN y MAX.

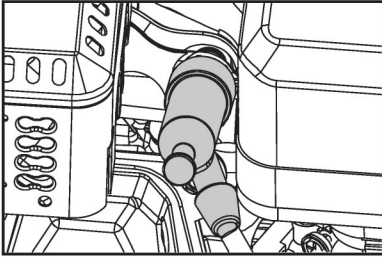


11. Vuelva a colocar la varilla del indicador de aceite y apriétela girando en el sentido de las agujas del reloj.

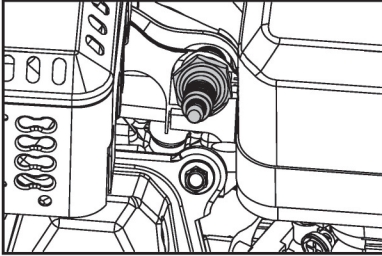
Bujía

Los fallos de arranque y los fallos de encendido suelen estar causados por una bujía obstruida. Limpie la bujía y compruebe que la separación entre bujías está en el rango correcto. Si se trata de una bujía de repuesto, utilice el tipo correcto.

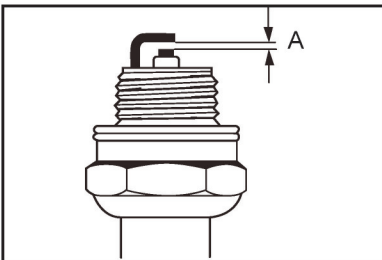
1. Desconecte el cable de la bujía tirando de él.



2. Con la llave de bujías, retire la bujía girando en sentido contrario a las agujas del reloj.



3. Compruebe el estado de la bujía para ver si está sucia, desgastada y con el electrodo central redondeado.
4. Compruebe si hay acumulación de sedimentos de carbono, si es así, elimínelos. Si el sedimento de carbón es excesivo, sustituya la bujía.
5. Limpie el tapón o sustitúyalo por uno nuevo. No lo limpie con un chorro de arena. Los restos de arena dañarán el motor.
6. Mida la holgura de los electrodos con una galga de espesores. La holgura de los electrodos de la bujía (A) debe ser de 0,7~0,8 mm. Si la holgura es superior a 0,8 mm, sustituya la bujía.



7. De acuerdo con las especificaciones técnicas, ajuste la separación de la bujía doblando el electrodo exterior. Sustituya la bujía por una nueva cuando sea necesario.
8. Vuelva a conectar el cable a la bujía.

AVISO

El uso de cualquier bujía que no sea la designada en este manual puede hacer que el motor no funcione correctamente o que se sobrecaliente y se dañe.

Ajuste del carburador

El carburador ha sido ajustado en fábrica con una configuración estándar.

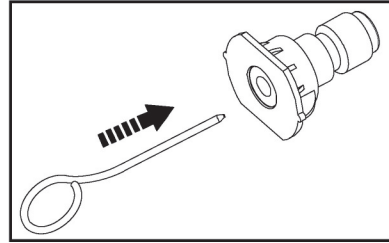
Este ajuste proporciona una mezcla óptima de combustible y aire en la mayoría de las condiciones de funcionamiento.

AVISO

Los ajustes del carburador deben ser realizados por un distribuidor o centro de servicio autorizado.

Limpiar la boquilla de pulverización

1. Separe la boquilla de pulverización de la varilla de pulverización.
2. Utilice una pequeña varilla de alambre (clip) para aflojar cualquier partícula en la boquilla de pulverización y enjuague con agua.



Limpiar la lavadora a presión

AVISO

No rocíe el limpiador a presión con agua. El agua puede contaminar el sistema de combustible y puede entrar en el motor a través de las ranuras de refrigeración y dañar el motor.

1. Utilice un paño húmedo para limpiar las superficies exteriores de la lavadora a presión.
2. Utilice un cepillo de cerdas suaves para eliminar la suciedad y el aceite.
3. Utilice un compresor de aire (25 PSI) para limpiar la suciedad y los residuos de la lavadora a presión.
4. Inspeccione todas las rejillas de ventilación y las ranuras de refrigeración para asegurarse de que están limpias y sin obstrucciones.

Reparar

Los usuarios de esta máquina sólo deben llevar a cabo los trabajos de mantenimiento y servicio descritos en este Manual del Propietario. CRAFTOP recomienda que el resto de los trabajos de reparación sean realizados por un distribuidor y centro de servicio autorizados, utilizando piezas de repuesto originales de CRAFTOP.

Almacenamiento

PELIGRO

No almacene la máquina en un lugar donde puedan acumularse humos de combustible o llegar a una llama o chispa abierta, de lo contrario pueden producirse graves lesiones personales.

ADVERTENCIA

El silenciador y las cubiertas circundantes se calientan durante el funcionamiento. Mantenga siempre la zona de escape libre de residuos inflamables durante el transporte o el almacenamiento, de lo contrario pueden producirse graves daños materiales o personales.

AVISO

No almacene su máquina durante periodos de tiempo de 30 días o más sin realizar un mantenimiento de almacenamiento de protección que incluya el siguiente procedimiento:

Almacenamiento de la lavadora a presión

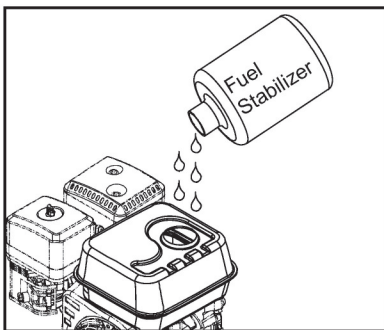
1. Deje que la lavadora a presión se enfríe completamente antes de guardarla.
2. Cierre el suministro de combustible en la válvula de combustible.
3. Limpie la lavadora a presión según las instrucciones descritas en este manual.
4. Guarde la máquina en un lugar limpio y seco, lejos de la luz solar directa.

Motor almacenado durante menos de 30 días

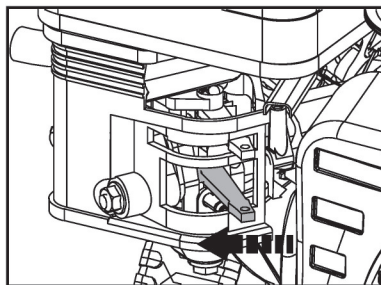
1. Deje que el motor se enfríe completamente antes de guardarlo.
2. Limpie el motor según las instrucciones descritas en este manual.
3. Para prolongar la vida útil del combustible, añada al depósito un estabilizador de combustible debidamente formulado.
4. Asegúrese de que la válvula de combustible esté en la posición "OFF".

Motor almacenado durante más de 30 días

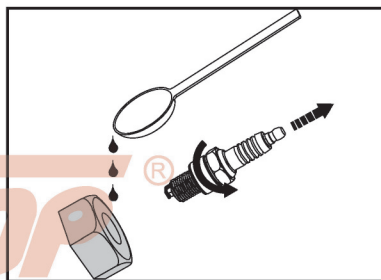
1. Añada al depósito un estabilizador de combustible debidamente formulado.



2. Haga funcionar el motor durante unos minutos para que el combustible tratado circule por el sistema de combustible y el carburador.
3. Gire la válvula de combustible a la posición "OFF".



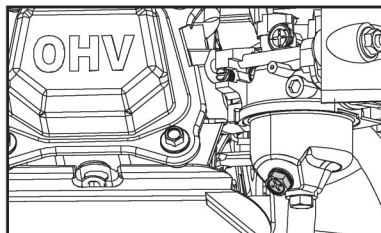
4. Deje que el motor funcione hasta que la falta de combustible haya detenido el motor. Esto suele tardar unos minutos.
5. El motor debe enfriarse completamente antes de limpiarlo y almacenarlo.
6. Limpie el motor de acuerdo con la sección de mantenimiento.
7. Cambia el aceite.
8. Retire la bujía y vierta aproximadamente 0,5oz. (14ml) de aceite SAE 10W-30 en el cilindro. Haga girar el motor lentamente para distribuir el aceite y lubricar el cilindro.



9. Vuelva a colocar la bujía.

Si desea drenar el combustible en lugar de añadir estabilizador de combustible, siga los siguientes pasos:

1. Gire la válvula de combustible a la posición "OFF".
2. Retire el tornillo hexagonal de drenaje del carburador.
3. Gire la válvula de combustible a la posición "ON" y drene el combustible del tanque, el carburador y la manguera.
4. Vuelva a colocar el tornillo hexagonal de drenaje del carburador una vez que el combustible esté completamente drenado.



Almacenamiento de invierno

La lavadora a presión puede resultar dañada si se somete a temperaturas de congelación. Este tipo de daños no está cubierto por la garantía limitada. Para

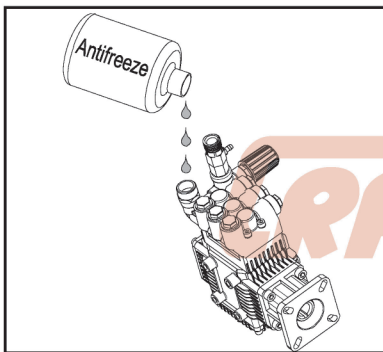
evitar posibles daños, utilice una pequeña cantidad de anticongelante.

Proteja las piezas de su hidrolavadora de la congelación.

Para evitar que la bomba se congele, tendrá que introducir anticongelante para vehículos recreativos.

Necesitará aproximadamente 6oz. (177,4 ml) de anticongelante para vehículos recreativos, un embudo y aproximadamente 305 mm de manguera de jardín o equivalente.

1. Aplique todas las instrucciones de almacenamiento de las secciones anteriores.
2. Asegúrese de que la manguera de la lavadora a presión esté libre de agua antes de guardarla para el invierno.
3. Vierta el anticongelante en el embudo y, a continuación, tire del arrancador de retroceso del motor para crear succión en el alojamiento de la bomba.
4. Coloque la máquina de lado con la entrada de agua hacia arriba, vierta 1/4 de taza de anticongelante en la entrada de agua.



5. Tire del arrancador de retroceso varias veces
6. Desconecte el cable de la bujía, y luego tire del arrancador de retroceso varias veces para hacer circular el anticongelante en el sistema de la bomba hasta que el anticongelante salga por la salida de la bomba.
7. Vuelva a conectar el cable de la bujía.

! AVISO

Almacene y transporte siempre las limpiadoras de alta presión en una posición estable y horizontal. Apoye la caja de engranajes y las cuchillas de corte para evitar la flexión excesiva, que puede causar daños a estos componentes. Instale siempre la cubierta de las cuchillas cuando transporte o almacene la unidad.

Eliminación

Respete todas las normas de eliminación de residuos específicas del país y locales.

Los productos CRAFTOP no deben tirarse a la basura. Lleve la máquina, los accesorios y el embalaje a un

centro de eliminación de residuos autorizado para un reciclaje respetuoso con el medio ambiente.

Elimine todo el material de embalaje de forma responsable con el medio ambiente.

Póngase en contacto con el centro de reciclaje local o con la fábrica para eliminar el aceite de motor usado de forma adecuada.

! PELIGRO
Las bolsas de plástico pueden ser un peligro para los niños pequeños, ¡deséchelas inmediatamente!

Póngase en contacto con su distribuidor o centro de servicio autorizado local para obtener la información más reciente sobre la eliminación de residuos.

! PELIGRO

Los vapores del combustible son extremadamente inflamables y pueden provocar un incendio y/o una explosión. No pruebe nunca la chispa de encendido conectando a tierra la bujía cerca del orificio de la bujía del cilindro; de lo contrario, pueden producirse graves lesiones personales.

Problema	Causa	Solución
El motor no arranca (o se para durante el funcionamiento)	<ol style="list-style-type: none"> 1. Parada por bajo nivel de aceite 2. El interruptor del motor no está en posición "ON". 3. Presión acumulada en la manguera 	<ol style="list-style-type: none"> 1. Llenar el motor con aceite de motor SAE 10W-30 2. Poner el interruptor en "ON". 3. Apretar el gatillo al arrancar
Si el motor suena de forma anormal, podría estar sobrecargado.	<ol style="list-style-type: none"> 1. Boquilla parcialmente bloqueada 2. Presión excesiva 	<ol style="list-style-type: none"> 1. Limpie la boquilla con la herramienta de limpieza de boquillas o con un clip 2. Acortar la bobina del muelle de la válvula de reflujo
El motor está en marcha pero la bomba no alcanza la presión máxima o tiene una presión irregular	<ol style="list-style-type: none"> 1. Grifo cerrado 2. La máquina ha sido almacenada a temperaturas de congelación 3. Suministro de agua inadecuado 4. Pantalla de entrada de agua obstruida 5. Doblez en la manguera de jardín 6. Punta de la vara desgastada o dañada 7. Aire en la bomba 8. La velocidad del motor no está ajustada a la posición máxima 	<ol style="list-style-type: none"> 1. Abrir el grifo 2. Descongele la unidad por completo, incluyendo la manguera, la pistola y la varilla. 3. Proporcionar un mínimo de 4 GPM a 30 PSI 4. Limpiar la pantalla 5. Enderezar la manguera de jardín 6. Sustituir la varilla 7. Deje que funcione con la pistola abierta y la varilla retirada hasta que salga un chorro de agua constante 8. Poner el acelerador en la posición máxima
No hay ingesta de productos químicos	<ol style="list-style-type: none"> 1. El tubo de inyección no está bien insertado en la unidad 2. Tubo agrietado o partido 3. Boquilla equivocada 4. Boquilla bloqueada 5. Inyector de productos químicos obstruido 	<ol style="list-style-type: none"> 1. Empujar firmemente en el racor del inyector 2. Sustituir el tubo 3. Cambiar a boquilla de baja presión 4. Limpiar la boquilla 5. Disolver con agua tibia
El gatillo no se mueve	<ol style="list-style-type: none"> 1. Bloqueo de seguridad del arma activado 	<ol style="list-style-type: none"> 1. Liberar el bloqueo de seguridad
Agua en el cárter	<ol style="list-style-type: none"> 1. Humedad elevada 2. Juntas desgastadas 	<ol style="list-style-type: none"> 1. Cambiar el aceite con más frecuencia 2. Cambiar los retenes de aceite
Funcionamiento ruidoso	<ol style="list-style-type: none"> 1. Rodamientos desgastados 2. Aire mezclado con agua 	<ol style="list-style-type: none"> 1. Cambiar el rodamiento 2. Compruebe que las líneas de entrada no tengan restricciones y/o un tamaño adecuado
Altas temperaturas del cárter	<ol style="list-style-type: none"> 1. Grado incorrecto de aceite 2. Cantidad inadecuada de aceite en el cárter 	<ol style="list-style-type: none"> 1. Utilice aceite de motor SAE 10W-30 2. Ajustar el nivel de aceite a la cantidad adecuada
Funcionamiento áspero/pulsante con caída de presión	<ol style="list-style-type: none"> 1. Restricción de entrada 2. Aire mezclado con agua 	<ol style="list-style-type: none"> 1. Compruebe que el sistema no esté obstruido, que no haya fugas de aire, que la entrada esté correctamente dimensionada y que las tuberías vayan a la bomba.

Problema	Causa	Solución
		2. Comprobar que las líneas de entrada no tienen restricciones y/o están bien dimensionadas

i información

Si su limpiadora de alta presión parece necesitar más servicio, consulte con su distribuidor o centro de servicio autorizado local.

CRAFTOP®

CRAFTOP®

WWW.CRAFTOP.COM