

**CRAFTOP**®



# Owner's Manual Gasoline Engine GE160, GE200, GE210



EXPERTS  
IN EQUIPMENTS OF  
GARDENING AND AGRICULTURE

ENGLISH  
VERSION: 01-202111

## **We thank you for buying CRAFTOP Gasoline Engine**

This gasoline engine provides advanced technology and powerful energy in incorporating many convenient features for you to perform your daily work.

**Before attempting to use this gasoline engine, please read this manual carefully until you completely understand and can follow all safety rules, precautions, operating and maintenance instructions.** It will help you both to become more familiar with this gasoline engine and to recognize and avoid situations that could endanger you and others. **Careless or improper use may cause serious or even fatal injury!**

If you have any question about your gasoline engine and this manual, please contact your local authorized dealer or service center. They always welcome your questions, suggestions, and constructive criticism.

We hope you enjoy this gasoline engine and wish you many years of safe and enjoyable work with it.

**CRAFTOP CANADA LTD.**

The logo for CRAFTOP is rendered in a bold, italicized, sans-serif font. The letters are a light orange or peach color. The 'C' is particularly large and stylized, with a horizontal bar extending from its top. A registered trademark symbol (®) is located to the right of the 'P'.

## Table of contents

Guide to use this manual .....	1
Product overview.....	3
Technical specification .....	6
Safety precautions and instructions .....	7
Assembly.....	11
Engine oil.....	11
Fuel and fueling.....	12
Gearbox lubrication .....	13
Air filter .....	14
Preparation.....	14
Start and stop the engine .....	15
Operation.....	16
Exhaust control system .....	17
Maintenance and care.....	18
Repair.....	22
Storage.....	22
Disposal.....	24
Troubleshooting guide.....	25
Electrical diagram.....	30

## Guide to use this manual

This Owner's Manual refers to a CRAFTOP gasoline engine, also called a machine and/or product in this Owner's Manual.

All information, specifications, descriptions and illustrations in this manual are as accurate as known at the time of publication, but are subject to change without notice. Due to ongoing product development, there may be difference between your machine and the information in this manual. No legal obligations or commitments can be delivered from the information, specifications, descriptions, or illustrations in this manual.

Illustrations are only for orientation and are merely used to help explain the text descriptions and instructions. Illustrations may include optional equipment and accessories, and may not include all standard equipment.

Some signs or symbols on the machine may be a little different refer to special certification requirements for certain markets.

Any technical modifications to the machine that were introduced after the editorial deadline please consult your local dealer for more supplementary information.

All safety precautions and instructions described in this manual should be observed during operation of the gasoline engine, and all applicable federal, state and local safety regulations, standards, and ordinances should be observed as well.

Do not sell, lend or rent the machine without this owner's manual. Always be sure to include this owner's manual together with this machine, and make sure that

anyone using it understands the information contained in this manual.

## Signs and symbols in this manual

### **DANGER**

Texts with this symbol contain information regarding hazardous situations which will cause death or severe injures if not avoided.

### **WARNING**

Texts with this symbol contain information regarding hazardous situations which could cause death or severe injures if not avoided.

### **CAUTION**

Texts with this symbol contain information regarding hazardous situations which could cause minor or moderate injures if not avoided.

### **NOTICE**

Texts with this symbol information regarding situation which could cause gasoline engine damage if not avoided.

### **information**

Texts with this symbol contain supplementary information.

### **Warning or Alert!**

Special safety precautions must be observed when working with this machine because it has high speed rotation parts, uses flammable fuel, and exhausts poisonous fumes.

### **Read and understand the Owner's Manual.**

Read this Owner's Manual carefully, make sure that you completely understand and can follow all safety rules, precautions, operating and maintenance instructions before attempting to use this machine, failure to do so may cause serious or even fatal injury!

### **Wear proper clothing.**

### **Eye and ear protection required.**

Always wear appropriate safety goggles or safety glasses with side shields, and ear plugs or ear muffers as well when operating this machine.



**Hair protection required.**

Operator who has long hair should tie up and confine long hair with a hair net, cap, or hard hat for instance.



**Respiratory protection required.**

Wear proper respiratory protection to protect you from chemical solvents, aerosols, oils, mold, and other more harmful airborne particles or allergens that may go unseen.



**Hands protection.**

Always wear appropriate gloves when you handle chemical detergent or operate gasoline engine.



**Foot protection required.**

Wear shoes or boots with anti-slip soles in your working area.



**Fire hazard.**

Risk of fire.  
Flammable material or their fumes may catch fire easily if near heat, flames or sparks.



**No smoking.**

Do not smoke in this area.



**Toxic Fumes.**

Chemicals contained in the engine exhausts can cause cancer and birth defects and other reproductive harm.



**Poisonous.**

The skull and crossbones symbol means the product is poisonous or has/produce poisonous material. Licking, eating, drinking, or smelling a substance marked with this symbol can make you very sick or even cause death.



**Risk of Asphyxiation.**

This engine exhausts carbon monoxide, an odorless, colorless poison gas. Breathing carbon monoxide can cause nausea, fainting or even death. Only use this machine in a well ventilated outside area.



**Warning of hot surface.**

Contact may cause burn.  
Do not touch!

**Signs and symbols on the machine**

For the purpose of safety operation and maintenance, the meanings of signs and symbols may be attached to or embossed on the machine.



**The port to top up fuel.**

Position: Fuel cap



**The port to top up engine oil.**

Position: Oil cap



**Choke control.**

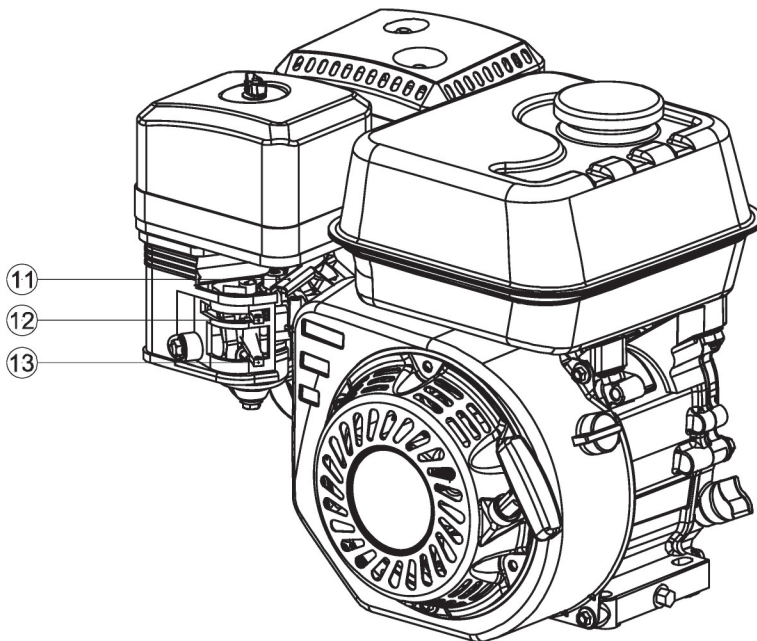
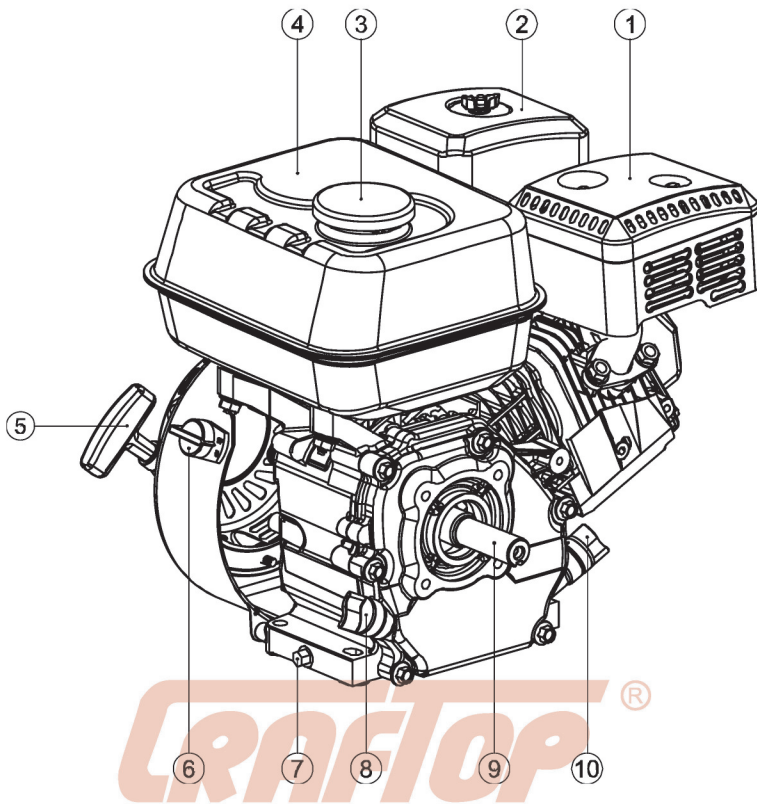
Choke closed.  
“Cold start” position.

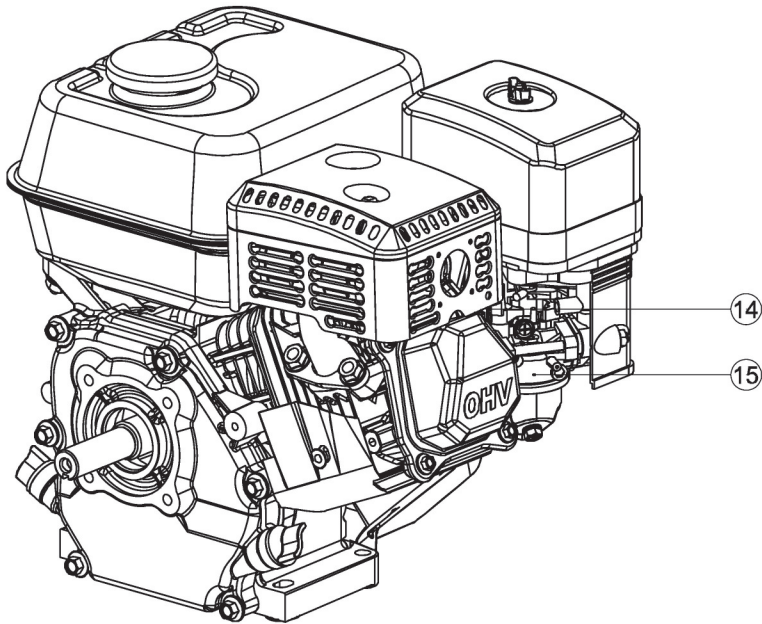


**Choke control.**

Choke open.  
“Run” position.







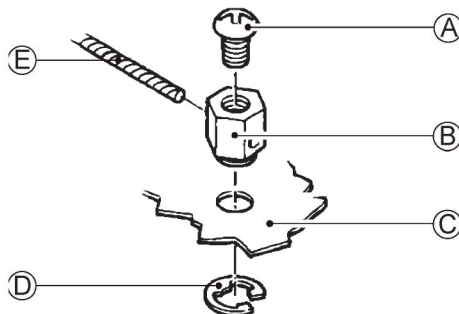
- |   |                       |    |                        |    |                |
|---|-----------------------|----|------------------------|----|----------------|
| 1 | Muffler               | 6  | Engine switch          | 11 | Throttle lever |
| 2 | Air filter            | 7  | Engine oil drain plug  | 12 | Choke lever    |
| 3 | Fuel tank cap         | 8  | Engine oil cap         | 13 | Fuel valve     |
| 4 | Fuel tank             | 9  | Power takeoff shaft    | 14 | Spark plug     |
| 5 | Recoil starter handle | 10 | Reduction gear oil cap | 15 | Carburetor     |

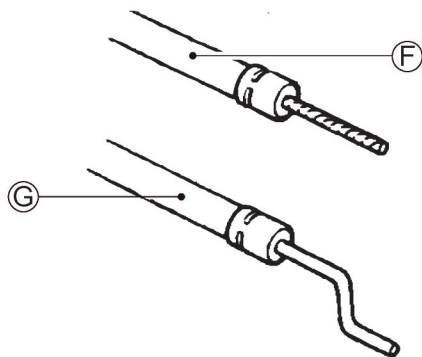
### Control connection of remote distance (option)

The holes in levers of both the choke and throttle valve are used for mounting optioned steel wires, the illustrations below show how to mount a solid steel wire and a meshed steel wire. If choosing a meshed steel wire, a return spring is needed.

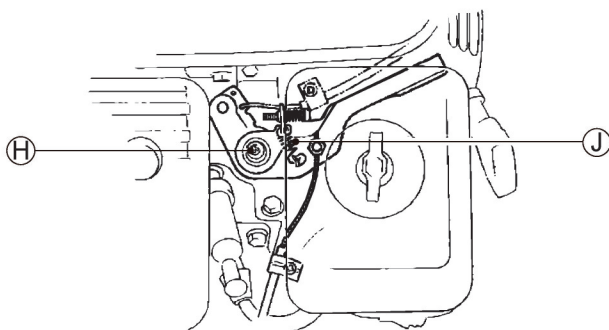
If necessary you may unscrew damping nut on the throttle valve lever slightly when controlling the throttle valve by a remote-controlled steel wire.

### Accessory Options:

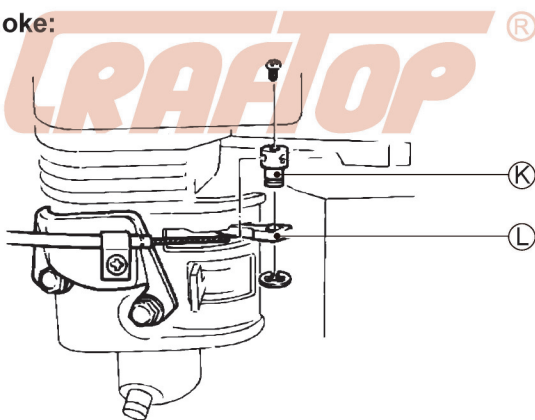




**Remote-Controlled Throttle:**



**Remote-Controlled Choke:**



- |                   |                                |                                |
|-------------------|--------------------------------|--------------------------------|
| A. 4mm screw      | E. Wire                        | J. Throttle lever friction nut |
| B. Wire holder    | F. Flexible wire core mounting | K. Wire holder                 |
| C. Throttle lever | G. Solid wire core mounting    | L. Choke lever                 |
| D. 5mm clip ring  | H. Return spring               |                                |

## Technical specification

Model		GE160	GE200	GE210
Description	Unit	Specification		
Product dimension	mm	365x320x330	365x320x330	365x320x330
Package dimension	mm	390x330x380	390x330x380	390x330x380
Net weight	kg	15	15	15
Gross weight	kg	16	17	17
Application temperature	°C	-5°C to 45°C	-5°C to 45°C	-5°C to 45°C
Engine type		single cylinder, forced air cooling, 4-stroke, OHV gasoline engine		
Rated Power (output)	kW/rpm	3.1/3600	3.8/3600	4.2/3600
Maximum torque	Nm/rpm	8.8/2500	11/2500	12/2500
Fuel consumption	g/kW.h	≤395	≤395	≤395
Oil consumption	g/kW.h	≤6.5	≤6.5	≤6.5
Lowest idling speed	rpm	1600±100		
Noise	dB(A)	105	105	105
Cylinder diameter	mm	68	68	70
Piston journey	mm	45	54	55
Displacement	cc	163	196	212
Fuel Tank Capacity	L	3.6	3.6	3.6
Oil Capacity	L	0.6	0.6	0.6
Compress ratio		8.5:1		
Lubrication mode		Force Splash		
Start mode		Recoil start		
Oil specification		SAE10W-30		
Fuel specification		Unleaded Gasoline		
Ignition system		Transistorized Magneto Ignition (T.C.I)		
Output direction of power shaft		Counterclockwise		
Spark plug type		F7TC		

This engine is equipped with a low oil level sensor that shuts down the engine automatically when the oil level drops below a specified level. If the engine shuts down by itself and the fuel tank has enough gasoline, check engine oil level.

### information

Technical data vary with type of engine. Specifications, descriptions and illustrations in this manual are as accurate as known at the time of publication, but are subject to change without notice.



## Safety precautions and instructions



Special safety precautions must be observed when working with this machine because it has high speed rotation parts, uses flammable fuel, produces high pressure water, and exhausts poisonous fumes.



Before attempting to use this gasoline engine, please read this manual carefully until you completely understand and can follow all safety rules, precautions, operating and maintenance instructions. Careless or improper use may damage the machine and may cause serious or even fatal injury!

## Safety precautions

### DANGER

- Because this gasoline engine has high speed rotation parts, uses flammable fuel and exhausts poisonous fumes, some special precautions must be observed to reduce the risk of accident and personal injury. Careless or improper use may cause serious or even fatal injury.
- Rotating parts can entangle hair, hands, clothing, feet and/or accessories. Traumatic amputation or severe laceration can result.
- Gasoline is an extremely flammable fuel. If spilled and ignited by a spark or other ignition source, it can cause fire and serious burn injury or property damage. Use extreme caution when handling gasoline. Combustible fuel vapor may escape from the fuel system or container during fueling operations. Do not smoke or bring any fire or flame near the fuel or the machine.
- Do not operate this machine indoors or in inadequately ventilated areas. DO not allow exhaust fumes to enter a confined area through windows, doors, vents or other openings. Engine exhaust contains poisonous emissions and can cause serious injury or death.

### WARNING

- Observe all applicable local safety regulations, standards and ordinances.
- Running engines produce heat. Severe burns can occur on contact. Combustible material can catch fire on contact.
- The noise emitted from this machine may be restricted to certain times by national or local regulations.
- Minors should never be allowed to use this gasoline engine. Do not allow other persons near the gasoline engine when starting or operating. Keep bystanders, especially children, and animals out of the work area and keep a safe distance. Close supervision of children is necessary to ensure that they do not enter the work area or play with the machine.
- Never let your gasoline engine run unattended. When it is not in use (e.g., during a work break), shut it off

and make sure that unauthorized persons do not use it.

- The person who use this gasoline engine must be in good physical condition and mental health, and not under the influence of alcohol and drugs. Never use this gasoline engine when you are fatigued, sick, or upset. If you feel tired, take a break.
- The components of this machine may generate an electromagnetic field during operation, which may interfere with some pacemakers. To reduce the risk of serious or fatal injury, persons with pacemakers should consult with their physician and the pacemaker manufacturer before operating this machine. In the absence of such information, CRAFTOP does not recommend the use of this machine by anyone who has a pacemaker.
- The owner of this machine is responsible for avoiding injury to third parties or damage to their property.

### CAUTION

Prolonged exposure to cold and/or vibration may result in injury. Read and follow all safety and operation instructions to minimize risk of injury. Failure to follow instructions may result in painful wrist/hand/arm injuries.

Raynaud's Phenomenon may affect the fingers of certain individual if a person is exposed to vibration and cold. Exposure to vibration and cold may cause tingling and burning sensations, followed by loss of color and numbness in the fingers. The following precautions are strongly recommended:

- Keep your body warm, especially the head, neck, hands, wrists, ankles and feet, ,
- Maintain good blood circulation by performing vigorous arm exercises during frequent work breaks.
- Limit the hours of operation, have a rest when you feel tired or fatigued.
- If you experience discomfort, redness, and swelling of the fingers followed by whitening and loss of feeling, consult your physician before continuing exposing yourself to cold and vibration.

Overusing the muscles and tendons of the fingers, hands, arms, and shoulders may cause soreness, swelling, numbness, weakness, and extreme pain in those areas.

- Avoid using your wrist in a bent, extended, or twisted posture. Instead, try to maintain a straight wrist position. Also, when grasping, use your whole hand, not just the thumb and index finger.
- Take periodic breaks to minimize repetition and let your hands have a rest.
- Reduce the speed and force with which you do the repetitive movement.
- Do exercise to strengthen your hands and arm muscles.
- Immediately stop using the machine and other power tools, and consult a doctor if you feel tingling, numbness, or pain in the fingers, hands, wrists, or arms.

## Clothing and PPE

### **WARNING**

You must wear proper clothing and approved personal protective equipments (PPE) whenever you use a gasoline engine.



#### **Eye and ear protection required.**

Always wear appropriate safety goggles or safety glasses with side shields, and ear plugs or ear muffers as well when operating this machine.



#### **Respiratory protection required.**

Wear proper respiratory protection to protect you from chemical solvents, aerosols, oils, mold, and other more harmful airborne particles or allergens that may go unseen.



#### **Hair protection required.**

Operator who has long hair should tie up tie up and confine long hair with a hair net, cap, or hard hat for instance.



#### **Hands protection.**

Always wear appropriate gloves when you operate gasoline engine.



#### **Proper clothing.**

Clothing must be snug-fitting but allow complete freedom of your movements.

Do not wear loose clothing, jewelry, scarf, necktie, or anything that could get caught in moving parts of the machine.



#### **Foot protection.**

Wear shoes or boots with anti-slip soles in your working area.

Personal protective equipments can not eliminate the risk of injury, but it will reduce the degree of injury if an accident does happen. Ask your local dealer for help in choosing the right equipments.

Long-time or continuous exposure to high noise levels may cause permanent hearing impairment. Always wear approved hearing protection when operating a gasoline engine.

## Handle your gasoline engine safely

### **WARNING**

This gasoline engine is to be used only by qualified operators. Minors and untrained persons should never be allowed to use this machine.

Under any circumstance, you should not modify the original design of the gasoline engine without approval from the manufacturer. Always use genuine spare parts. Unauthorized modifications or accessories may lead to serious or even fatal injury.

Under any circumstance, you should not operate your gasoline engine if it is damaged, improperly adjusted or maintained, or not completely or securely assembled. Always inspect the gasoline engine before each use, and replace the parts immediately if it is worn, loose, leaking, damaged or missing.

- Always disconnect spark plug wire and place wire where it can not contact spark plug to prevent accidental starting when setting up, transporting, adjusting or making repairs except carburetor adjustments.
- Never operate the machine in an explosive atmosphere. Only operate the gasoline engine only in a well-ventilated outdoor area and far away from windows, doors, and vents.. Never start or run the engine inside a closed room or building. Engine exhaust contains poisonous emissions and can cause serious injury or death. DO not allow exhaust fumes to enter a confined area through windows, doors, vents or other openings.
- During operation, the machine should keep at least one meter away from building walls or other equipments, keep away from inflammables such as gasoline, matches and so on to avoid possibility of fire.
- Never operate the machine at any times when your field of vision might be limited and it would be difficult to maintain a clear view of the working area.
- During rain, storms at times of strong or gale-force winds, or at any other times when weather conditions might make it unsafe to use this machine.
- Do not allow any material to block the cooling slots.
- Locate the engine on a level-working platform to avoid fuel's spilling out.
- Maintain footing and balance at all times. Do not stand on slippery, uneven or unstable surfaces. Do not operate the gasoline engine in odd position or on a ladder or ladders.
- Keep exhaust area clear of flammable debris. Avoid contact hot surfaces during and immediately after operation.
- Do not use a high pressure washer to clean gasoline engine. The solid jet of high pressure water may damage parts of the machine.

## Maintain in good work order

### **CAUTION**

All gasoline engine service, other than the items listed in the maintenance section of this manual, should be performed by authorized service dealer or competent gasoline engine service personnel.

### **WARNING**

Only use high-quality replacement parts in order to avoid the risk of accidents and damage to the power tool. If you have any questions in this respect, consult an authorized dealer or service center. CRAFTOP

recommends the use of genuine spare parts. They are specifically designed to match your model and meet your performance requirements.

- To reduce the risk of injury, always shut off the engine before carrying out any maintenance or repairs or cleaning the machine, only excepts carburetor and idle speed adjustments.
- Check the machine for loose/missing nuts, bolts, and screws. Tighten and/or replace as needed.
- Do not turn the engine over on the starter with the spark plug boot or spark plug removed since there is otherwise a risk of fire from uncontained sparking.
- Check fuel system for leaks due to fuel tank damage, especially if the machine is dropped accidentally. If damages or leaks are found, do not use the machine any more, otherwise serious personal injury or property damage may occur. Have your machine repaired by an authorized dealer or service center before using.
- Check the fuel filler cap for leaks at regular intervals.
- Check the engine oil level is located at the proper position.
- To reduce the risk of fire, do not service or store your machine near open flames.
- Use only a spark plug type which is approved by CRAFTOP and make sure it is in good condition.
- Inspect the ignition lead (insulation in good condition, secure connection).
- Check the condition of the muffler. To reduce the risk of fire and damage to hearing, do not operate your machine if the muffler is damaged or missing.
- Do not touch the muffler, spark plug, or other metallic parts of the engine while the engine is running or immediately shutting down, otherwise burn injury will result.

## Transporting your gasoline engine

Avoid accidental starting. Transport or move the machine only with empty fuel tank. To avoid getting burns or fire, be sure the engine is shut off and cool down completely before transporting the machine.

When transporting your gasoline engine in a vehicle, properly secure the machine to avoid turnover, fuel spillage and damage.

### **WARNING**

Do not incline the engine so as to avoid spilling fuel. Spilled fuel or fuel vapor may ignite to cause fire.

## Handle fuel with caution

You gasoline engine use a unleaded gasoline for fuel.

### **WARNING**

Gasoline is an extremely flammable fuel. Pay high attention when fueling, storing or handling, otherwise serious personal injury may result.



If spilled and ignited by a spark or other ignition source, gasoline can cause fire and serious burn injury or property damage.



Do not smoke or bring any fire or flame while handling fuel or while operating the gasoline engine. Note that combustible fuel vapor may escape from the fuel system.

- Fuel used in this gasoline engine is poisonous. Always wear approved breathing protection when decanting fuel.
- Handle fuel and refuel in a well ventilated outdoor area on bare ground; store fuel in a cool, dry well ventilated place; and use an approved, marked container for all fuel purposes. Wipe up all fuel spills before starting the machine.
- Eliminate all sources of sparks or flame (i.e. smoking, open flames, or work that can cause sparks) in the areas where fuel is mixed, poured, or stored. Always shut off the engine and allow it to cool down before refueling.
- Always use with caution when handling fuel. Wipe up all spills and then move the gasoline engine at least 10feet (3 meters) from the fueling point before starting the engine.
- Always shut off the engine before refueling, let the machine cool in a non-combustible area, not on dry leaves, straw, paper, etc. Do not fuel a hot engine – fuel may spill and cause a fire.
- Loose a bit of the fuel cap carefully so as to allow any pressure build-up in the fuel tank to release slowly and avoid fuel spillage.. Never remove the fuel cap when engine is running!
- Fuel your machine only in well ventilated areas. If you spill fuel, wipe the machine immediately. If fuel spills on your clothing, change it immediately.
- Tight the fuel cap securely to the proper position, make sure it does not loosen or come off due to the machine vibrations.
- To reduce the risk of serious or fatal burn injuries, check for fuel leakage. If fuel leakage is found, do not start or run the engine until leak is fixed.
- Do not inhale fuel fumes as they are toxic.
- Store the machine and fuel in an area where fuel vapors cannot reach sparks or open flames from water heaters, electric motors or switches, furnaces, etc.

## Before starting the engine

A area within a minimum radius of 50feet (15m) from the using the machine should be considered as a hazardous area, into which on one should enter. If necessary, yellow warning rope and warning signs should be placed around the perimeter of the area. When work is to be performed simultaneously by two or more persons, special care should also be taken to constantly look around or otherwise check for the presence and locations of other people working, so as to maintain sufficient safety distance between each person.

Before starting the engine, check that your machine is properly assembled and in good condition:

- The machine may only be used when all parts are in proper working order. Never operate your gasoline engine if it is modified, damaged, improperly adjusted or maintained, or not completely or securely assembled. Never run the gasoline engine with a modified or disconnected governor. Never attempt to modify the controls or safety devices in any way.
- Check the fuel system for leaks, paying high attention to visible parts such as the fuel tank cap, fuel line and drain plug. If there are any leaks or other sign of damage, do not start the engine because of potential risk. Have your machine repaired by an authorized dealer or service center before using it again.
- Check that the spark plug boot is securely mounted on the spark plug. If a loose boot may cause arcing which could ignite combustible fumes and cause a fire.
- Check the engine switch, choke lever and throttle lever for proper function.
- Keep all switch and lever dry and clean, free from oil and dirt – for safe control of the machine.

## When starting the engine

### **WARNING**

Your gasoline engine is designed to be operated by one person only. Do not allow other persons in the work area even when starting.

- Do not operate this gasoline engine in temperatures below 5°C. Operating gasoline engine under the temperature of 5°C may cause damage engine parts. Damage to gasoline engine by user misuse is not covered under warranty.
- Start the engine at least 10feet (3m) from the fueling point, at a well-ventilated area, outdoors only.
- Keep bystanders, especially children and animals at least 50feet (15m) from the operating point. If you are approached, immediately stop the engine and engage the trigger locking latch on the spray gun.
- Place the machine on firm ground in an open and well ventilated area. Make sure you have good balance and secure footing.
- When you pull the starter rope handle, do not wrap the starter rope around your hand. Do not allow the rope to snap back by itself, but guide the starter rope slowly back to permit the rope to rewind properly. Failure to follow this procedure may result in injuries to your hand or fingers and may damage the starter mechanism.

### **information**

*When a new machine is first operated, in the first few minutes grease may come out of the gear case. But, since this is excessive grease, there is no cause of alarm. Just wipe it off with the engine stopped for next use*

## During operation

### **WARNING**

Moving parts can amputate fingers or cause severe injuries. Keep hands, clothing and loose objects away from all moving parts. Always stop engine, disconnect spark plug, and make sure all moving parts have come to a complete stop before removing obstructions, clearing debris, or servicing unit.



To reduce the risk of fire resulting in serious or fatal injury or property damage, never spray flammable or combustible liquids.



In the event of impending danger or in an emergency, switch off the engine immediately by pressing the engine stop switch backward to STOP position, and engage the trigger locking latch.

- Always carry related tools, equipments, spare parts, and consumables with you:
  - Attached tools in the product package.
  - Personal protective equipments.
  - Properly reserved fuel
  - Spare parts.
  - Things to notify your working are (rope, warning signs, etc.).
  - Whistle (for collaboration or emergency).
- Keep proper footing and balance at all times. Special care must be taken in slippery conditions and when working on slopes or uneven ground.
- To reduce the risk of stumbling and loss of control, do not walk backward while operating the gasoline engine.
- To reduce the risk of injury from loss of control, never operate the gasoline engine while standing on a ladder or on any other unstable support.
- Check that there are no bystanders, children, and animals in the general work area. If someone comes:
  - Guard against hazardous situations at all times. Warn adults to keep children and pets away from your working area. Be careful if you are approached. Injury may result from high pressure sprays.
  - If someone calls out or otherwise interrupts you while working, always be sure to shut off the spray gun and the engine before turning around. Avoid operating which people, especially children are nearby.
- Always be aware of surroundings and stay alert for possible hazards that you may not hear due to the noise of the machine.
- Make sure you always have good balance and secure footing. Place your feet slightly apart (slightly further apart than the width of your shoulders), so that your weight is distributed evenly across both legs, and always be sure to maintain a steady, even posture while working.
- Take special care in slippery conditions (wet ground), on slopes or uneven ground.

- Watch out for obstacles (hose, plants, bricks, etc.) which could cause you to trip or stumble.
- Be particularly alert and cautious when wearing hearing protection because your ability to hear warnings (shouts, alarms, etc.) is restricted.
- To reduce the risk of accidents, take sufficient break in good time to avoid tiredness or exhaustion.
- Work calmly and carefully in daylight conditions and only when visibility is good. Stay alert so as not to endanger others.
- To reduce the risk of serious or fatal injury from breathing toxic fumes, ensure proper ventilation when working in trenches, hollows or other confined locations.
- To reduce the risk of accidents, stop work immediately in the event of nausea, headache, visual disturbances (e.g. reduced field of vision), problems with hearing, dizziness, deterioration in ability to concentrate. Apart from other possibilities, these symptoms may be caused by an excessively high concentration of exhaust gases in the work area.
- Operate your machine so that it produces a minimum of noise and emissions. Do not run the engine unnecessarily, accelerate the engine only when working. To avoid noise complaints, in general operate the machine between 8AM and 5PM on weekdays, and 9AM to 5PM on weekends, detail please refer to your local regulations.
- Do not operate your machine in the starting throttle position because engine speed cannot be controlled in this position.
- To reduce the risk of fire, do not smoke while operating or standing near your machine. Note that combustible fuel vapor may escape from the fuel system. Always clean plant residue, chips, debris, leaves and excess lubricant off the engine and muffler. Note that stop the engine before you perform the cleaning work.
- Check the fuel system in particular for leaks and make sure the safety devices are working properly. Do not continue operating your machine if it is damaged. In case of doubt, consult your local authorized deal or service center.
- The muffler and other parts of the engine (gear box, fins of the cylinder, spark plug) become hot during operation and remain hot for a while after stopping the engine. To reduce risk of burns, do not touch the muffler and other parts while they are hot. Keep the area around the muffler clean.
- Before leaving the machine unattended: Shut off the engine.

## After finishing your work

- Shut off the engine after finishing work.
- After the engine cool down, wipe away water with dry cloth, always clean dust and dirt off the machine. Do not use any grease solvents for this purpose.
- Do not use a pressure washer to clean gasoline engine. The solid jet of high pressure water may damage parts of the machine.

## Assembly

This model is factory assembled.

This machine ships from our factory without engine oil. It must be properly serviced with fuel and oil before operation. If you have any questions regarding the gasoline engine, please contact local authorized dealer or service center.

Proper PPE are required when you unpack the box.

## Engine oil

### NOTICE

*New gasoline engine has no engine oil in crankcase when they are delivered out of factory.*

*Do not attempt to crank or start the engine before it has been properly filled with the recommended type and amount of engine oil, otherwise damage to the gasoline engine may result.*

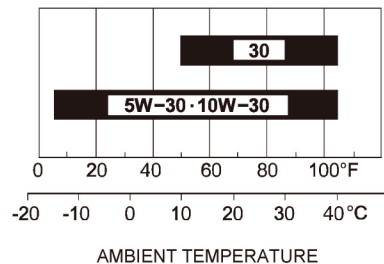
*Always check the engine oil level before starting the engine, on a level surface.*

### NOTICE

*Engine oil is a key factor in deciding the engine's performance. Do not apply engine oil with additives or 2-stroke gasoline oil, as they haven't enough lubrication, which may shorten the engine's service life.*

*The recommended engine oil type is SAE 10W-30, oil crankcase capacity is 0.6L.*

As viscosity varies with regions and temperatures, so the lubricant has to be selected in accordance with our recommendation.

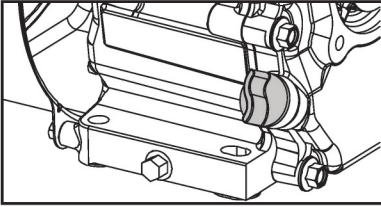


### NOTICE

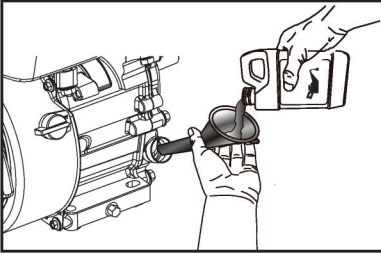
*Weather will affect engine oil and engine performance. Contact your authorized dealer or service center to change the type of engine oil used based on local weather conditions to suit the engine needs.*

## Add engine oil

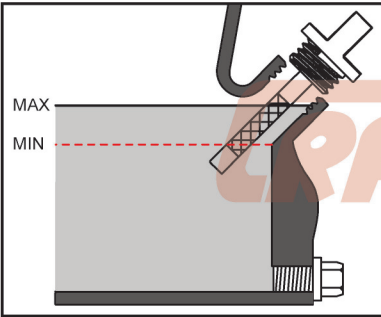
1. Place the gasoline engine on a flat level surface. Make sure the engine is turned off.
2. Clean the oil gauge dipstick/cap and the area around it to ensure that no dirt falls into the crankcase.



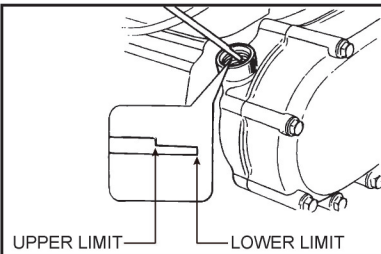
- Turn the oil gauge dipstick/cap counterclockwise, remove it and clean it with a clean cloth.
- Add engine oil into the crankcase through the oil gauge dipstick/cap installation port (a fuel funnel may be needed here). Do not overfill.



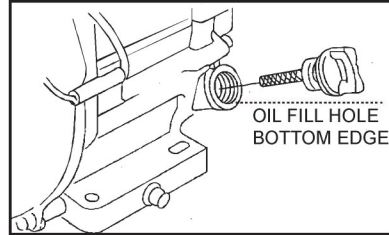
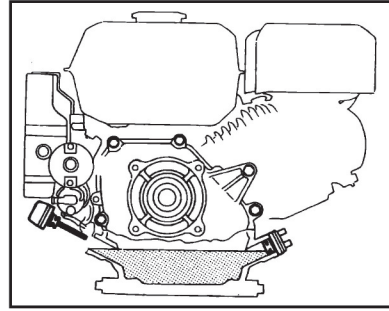
- Fully reinsert the oil gauge dipstick without screwing in and pull it out to check the oil level.



- If the oil level is just at MIN marker or below, refill SAE 10W-30 oil through the dipstick hole until the oil level is between MIN and MAX marker.



- Reinstall the oil gauge dipstick and securely tighten it by turning clockwise.



### NOTICE

Run with insufficient engine oil may damage the engine severely.

## Fuel and fueling

### NOTICE

New gasoline engine has no engine oil in crankcase when they are delivered out of factory.

Do not attempt to crank or start the engine before it has been properly filled with the recommended type and amount of engine oil, otherwise damage to the gasoline engine may result.

Always check the engine oil level before starting the engine, on a level surface.

## Fuel

### WARNING

Gasoline is very flammable. Avoid smoking or bringing any flame or sparks near fuel. Make sure to stop the engine and allow it cool down before refueling the machine. Select outdoor bare ground for fueling and move at least 3 m (10 ft) away from the fuming point before starting the engine.

The recommended fuel type is unleaded gasoline with a minimum octane rating of 86 and an ethanol content of less than 10% by volume.

Using unleaded gasoline will decrease the possibility of producing carbon deposit and prolong the engine's service life.

This is a 4-cycle engine and does not require a gas/oil mixture. There is a separate reservoir for gas and a separate reservoir for oil.

### NOTICE

Do not use mixed oil with gasoline for this machine.

- Exhaust emission are controlled by the fundamental engine parameters and components (for example, carburetion, ignition timing and port timing) without addition of any major hardware or the introduction of an inert material during combustion.
- If you use a gasoline of a lower octane value than prescribed, there is a danger that the engine temperature may rise and an engine problem such as piston seizing may consequently occur.
- Unleaded gasoline is recommended to reduce the contamination of the air for the sake of your health and the environment.
- Poor quality gasoline or oil may damage sealing rings, fuel lines or fuel tank of the engine.
- Take care when handling gasoline. Avoid direct contact with the skin and avoid inhaling fuel vapor.

### **!** NOTICE

Never use used or polluted gasoline or a mixture of gasoline and engine oil. Make sure the fuel is free of dirt and water.

### Gasoline containing alcohol

If you decide to use a gasoline containing alcohol (fuel blend), be sure its octane rating is at least as high as that recommended by the company. There are two types of "gasohol". One contains ethanol, and the other contains methanol. Neither gasoline containing more than 10% ethanol nor 5% methanol is allowed to be used. If methanol content in the fuel blend exceeds 5%, it may bring bad effect on the engine performance, besides, it may damage metals, rubber and plastic parts.

### **!** NOTICE

- Handle fuel with care because it can damage plastic and painted surfaces.
- It is normal when you hear occasionally light spark knock or pinking with the engine running under heavy load.
- If you hear spark knock or pinking at a steady speed under normal load, change brand of gasoline; if such phenomenon still happens, consult your dealer for help, otherwise, the engine may be damaged.

### Fuel tank

Remove the fuel filler cap and check fuel level.

If the fuel level is too low, refuel the tank. Remember adding fuel not over the fuel filter shoulder.

### **!** WARNING

Gasoline is extremely flammable and is explosive under certain conditions. Refueling in a well-ventilation area with the engine stopped. Do not smoke and allow flames or sparks in the area where gasoline is stored or where the fuel tank is refueled.

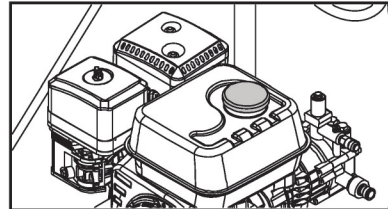
- Do not overfill the tank (there should be no fuel in the filler neck). After refueling, make sure the fuel tank cap is set back securely.
- Be careful not to spill fuel when refueling. Spilled fuel or fuel vapor may ignite. If any fuel is spilled, make

sure the area is dry enough before starting the engine.

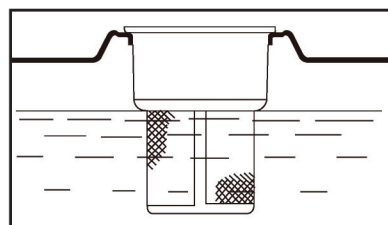
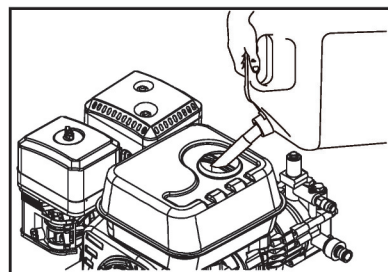
- Avoid repeated or prolonged contact with skin or breathing of fuel vapor.
- Keep out of reach of children.

### Fueling

1. Before fueling, clean the filler cap and the area around it to ensure that no dirt falls into the fuel tank.



2. Turn the fuel cap by turning it counterclockwise, loose a bit of the fuel cap carefully so as to allow any pressure build-up in the fuel tank to release slowly. Never remove the fuel cap when engine is running!
3. Use clean, fresh, regular unleaded fuel with a minimum octane rating of 87 and an ethanol content of less than 10% by volume.
4. Slowly add fuel to the tank. Do not overfill. Fuel can be forced out of the tank as a result of expansion if it is overfilled, and can affect the stable running condition of the machine. When filling the tank, it is recommended to leave enough space for the fuel to expand. Remember adding fuel not over the fuel filter shoulder.



5. Tighten the fuel cap clockwise securely after fuelling.
6. Wipe away any spilled fuel.

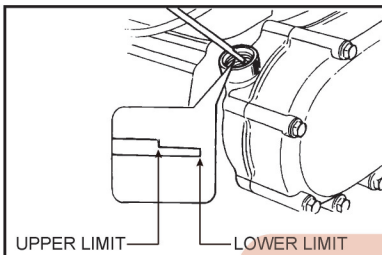
### Gearbox lubrication

#### **i** information

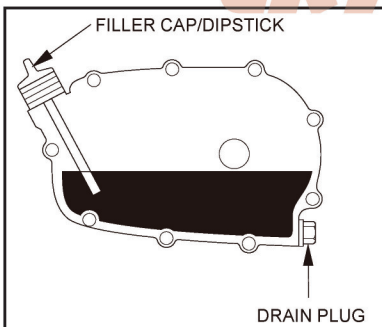
*This session is only for the model equipped 1/2 reduction gearbox with an auto-centrifugal clutch.*

The oil in the reduction gearbox is same as the engine oil used for this machine.

1. Place the gasoline engine on a flat level surface. Make sure the engine is turned off.
2. Clean the oil gauge dipstick/cap and the area around it to ensure that no dirt falls into the reduction gearbox.
3. Turn the oil gauge dipstick/cap counterclockwise, remove it and clean it with a clean cloth.
4. Add engine oil into the gearbox through the oil gauge dipstick/cap installation port (a fuel funnel may be needed here). Do not overfill.
5. Fully reinsert the oil gauge dipstick without screwing in and pull it out to check the oil level.
6. If the oil level is just at under the upper level mark, refill engine oil through the dipstick hole until the oil level reaches the upper level mark.



7. Reinstall the oil gauge dipstick and securely tighten it by turning clockwise.

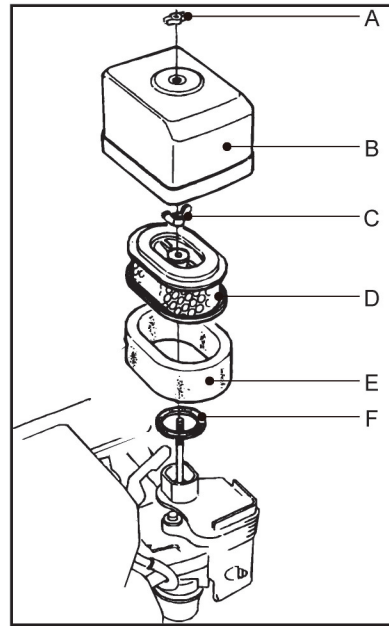


## Air filter

### **i** information

*This machine is equipped with a double-core type air filter. Air filter should be checked and cleaned periodically according to maintenance schedule. Cleaning method may vary as the different type of air filter is equipped on the machine.*

Dismantle the air filter housing and check its air filter element, make sure it is clean and intact, otherwise clean or replace it.



### **!** NOTICE

*Never run the engine without an air filter, otherwise severe wear of the engine may occur.*

## Preparation

### **!** NOTICE

*Always check the level of the engine oil prior to starting the machine. Failure to do so could cause the engine to seize if the oil is low or empty.*

## Pre-operation checklist

Follow the pre-operation checklist below before starting to use the machine every time:

1. Check the gasoline engine location.

### **!** NOTICE

*This gasoline engine must have at least 1.5 m (5 ft.) of clearance from combustible material. Leave at least 90 cm (3 ft.) of clearance on all sides of the gasoline engine to allow for adequate cooling, maintenance and servicing. Place the gasoline engine in a well ventilated area. Do not place the gasoline engine near vents or intakes where exhaust fumes could be drawn into occupied or confined spaces. Carefully consider wind and air currents when positioning gasoline engine.*

2. Check the engine oil level to make sure it is located at the proper position.
3. Add fuel and check the fuel level to make sure there is sufficient gasoline in the fuel tank.
4. Check there is no leakage of oil or fuel.
5. Double-check and observe all safety precautions and instructions in this manual prior to starting the machine.



## Start and stop the engine

### **⚠ WARNING**

It is very dangerous to run a gasoline engine that equipped with broken parts or lacks of any parts. Before starting the engine, make sure that all the parts are installed properly.

### **⚠ WARNING**

To reduce the risk of serious or even fatal injury:

- Do not allow children or other unauthorized persons to attempt to start or otherwise use the machine.
- Never allow children or unauthorized persons access to the machine.
- Never leave the machine unattended while working or during work breaks
- After work, store the machine in a safe, secure location out of the reach of children and other unauthorized persons
- Observe safety precautions and instructions.

### **⚠ WARNING**

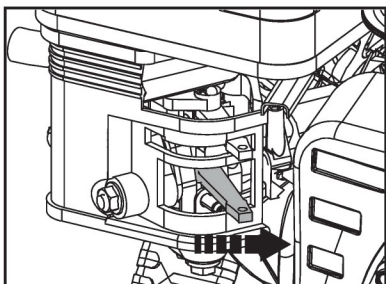
When starting the engine, make sure that your body does not contact with the muffler. A hot muffler can cause serious burns.


## Start the engine

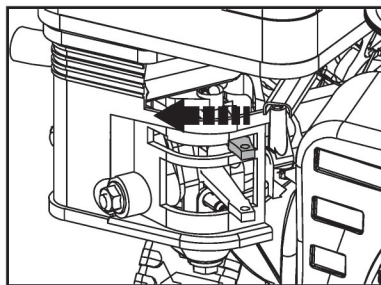
### **⚠ WARNING**

Never start or stop the gasoline engine unless the water supply is turned on.

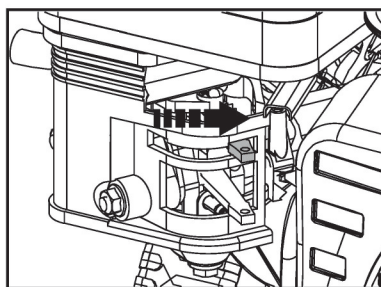
1. Finish the procedures described in the section of *Preparation*, make sure your machine is ready to start the engine.
2. Place the machine on a flat and firm ground in a clear area.
3. Move the fuel valve rightward to the "ON" position.



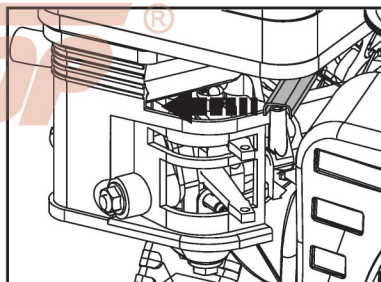
4. If the engine is cold, move the choke lever leftward to "CLOSE"  position.



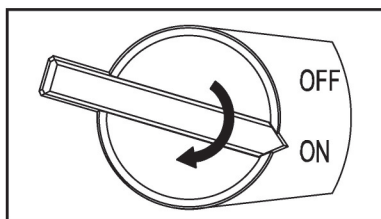
5. If the engine is warm, move the choke lever rightward to "OPEN"  position.



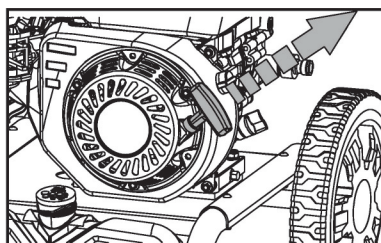
6. Move the throttle lever leftward to its maximum setting.



7. Turn engine switch to "ON" position.




8. Grip the starter rope handle securely, pull it slowly until resistance is felt, then pull it rapidly until start the engine (or 5 pulls maximum).

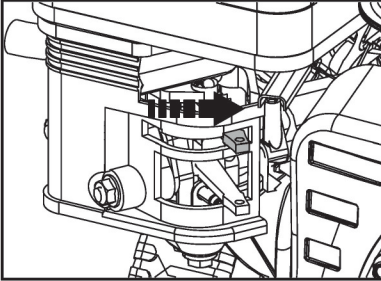


## **NOTICE**

Do not pull out the starter rope all the way, otherwise it might break.

Do not let the starter rope snap back by itself. Guide it slowly back into the housing, so that the starter rope can rewind properly.

9. After engine fires (or 5 pulls), move choke lever rightward to "OPEN"  position.



10. Restart engine if necessary, and allow the machine to warm up at idle engine speed.

## **NOTICE**

If engine does not start with choke lever in "OPEN" position after 5 pulls, repeat steps 3 ~ 10.

## **NOTICE**

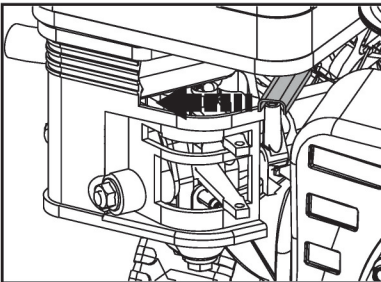
When restarting the engine immediately after stopping it, leave the choke lever in "OPEN" position.

## Stop the engine

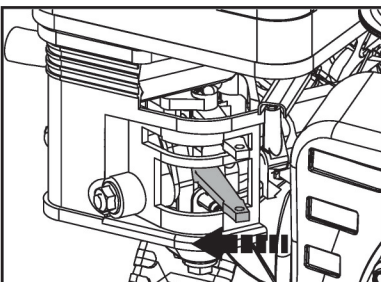
### **WARNING**

In an emergency, turn the engine switch to "OFF" position to stall the engine.

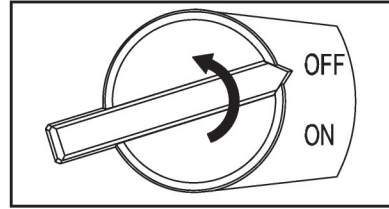
1. Move the throttle lever leftward to its maximum setting.



2. Move the fuel valve leftward to the "OFF" position.



3. Let the engine run until fuel starvation has stopped the engine. This usually takes a few minutes.
4. Turn engine switch to the "OFF" position.



5. Squeeze and hold the spray trigger until water only drips from the spray nozzle and the system is depressurized.
6. Turn off water supply and unplug all hoses.


### **WARNING**

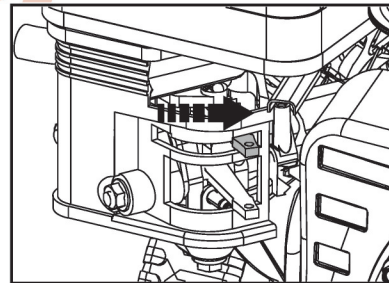
Always ensure that the fuel valve and the engine switch are in the "OFF" position when the engine is not in use.

### **WARNING**

If engine does not stop when engine stop switch is moved to "STOP" position, move choke control lever to "CLOSE" position to stall engine. Have your local authorized dealer or service center to repair engine stop switch before using the machine again.

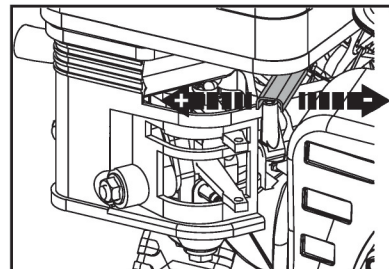
## Operation

After start a cold engine, preheat the engine and move the choke lever rightward to "OPEN"  position.



## Adjust the engine speed

Set the throttle lever in proper position to ensure the engine runs at required velocity.



Moving the throttle lever towards the left (Fast direction) will increase the engine speed.

Moving the throttle lever towards the right (Slow direction) will decrease the engine speed.

### **information**

*When moving the engine throttle to the minimum (rightmost), the output power of engine is low. Please don't operate the machine, if not, the machine will be flameout stop due to low engine output power.*

## **Engine oil alarm**

### **information**

*If the engine is hot, closing the choke is unnecessary.*

This machine is equipped with an engine oil alarm which is designed to alarm the user the fact that the engine oil in the crankcase is insufficient. Run with insufficient engine oil may damage the engine. Once oil level in the crankcase is too low, the engine oil alarm will stall the engine automatically to make it free of damage while the engine switch is still at "ON".

### **NOTICE**

*If the engine still fails to work, check the engine oil level first before go to other check items.*

## **Operation at high altitude**

Only under this standard operation conditions, this machine can be plugged electrical loads with rated power; otherwise, it may reduce the cooling performance of the engine, thus it is necessary to reduce the amount of rated power of electrical loads.

The density of air at high altitude is lower than at sea level. Engine power is reduced as the air mass and air-fuel ratio decrease. Engine power will be reduced approximately 3.5% for every 1000 ft. of elevation above sea level, even the proper main jet is used. This is a natural trend and cannot be changed by adjusting the engine. At high altitudes increased exhaust emissions can also result due to the increased enrichment of the air fuel ratio. Other high altitude issues can include hard starting, increased fuel consumption and spark plug fouling.

At high altitudes, the standard mixture ratio is relatively too big so the engine performance may be impaired while the fuel consumption may increase. This problem can be solved by replacing the main jet of carburetor with a smaller one, then adjusting the idle screw. If always using on highlands with a height above sea level of 1830 meters, ask your dealer for doing the job.

### **NOTICE**

*The engine equipped with the main jet applicable to highlands may be damaged seriously in area below specified altitude, because its mixture ratio is too thin, output drops and the engine overheats for operation in low altitude area. In this case, ask your dealer to recover the engine to its normal technical status.*

## **Exhaust control system**

With the engine running, carbon monoxide, oxide of nitrogen and hydrocarbon will produce, and in certain conditions, oxide of nitrogen and hydrocarbon will react chemically each other to make smoke while carbon monoxide is toxic, so exhaust control of them is very important. The company decreases the exhaust emissions by introducing poor-fuel carburetors and other devices into the engine to solve the problem.

To keep the exhaust of your engine within the standard exhaust emission values, pay attention to the following:

## **Maintenance**

Maintain the engine periodically in accordance with the Maintenance Schedule in the manual. The maintenance schedule is made out on the base of normal use in normal conditions, if using under heavy load, dusty or wet circumstances or in high temperature, more frequent maintenance will be necessary.

## **Replacement of parts**

We recommend that you should choose such parts which are manufactured by our Co. or equivalent to these in quality as replacement ones. Replacement without so high quality may impair the exhaust control system in effectiveness.

## **Modifying**

Modifying the exhaust control system may make actual exhaust emissions exceeding statutory limit values.

Illegal modification is as follows:

- Dismantle or modify any part of air inlet or outlet system.
- Modify or take off speed-adjusting connection device or speed adjustment device to result in the engine's running outside the set parameters.

## **Problems affecting exhaust emissions**

- Difficult starting or difficult stopping.
- Unstable idling.
- Give off black smoke or consume too much fuel.
- Poor ignition sparks or sparks returned.
- Ignition is too advanced.

Once you find any above problems, contact your authorized dealer for help.

## Maintenance and care

### Maintenance schedule

<b>IMPORTANT!</b> Time intervals shown are maximum. Actual use and your experience will determine the frequency of required maintenance.		Before starting to work	Daily and/or at the end of work	First month or 20hrs	Each season or 50hrs	Every 6-month or 100hrs	Each year or 300 hrs	if there is a failure	if there is a damage	As required
		System / Component	Maintenance Procedure							
Complete machine	Visual inspection (Condition, leak)	√								
	Clean		√							√
Engine switch, Throttle lever, Fuel lever, Choke lever	Function test	√			√					
Engine oil	Oil level check	√								
	Replace		√							
Reduction gear oil	Oil level check	√								
	Replace		√			√				
Air filter	Inspect			√	√					
	Clean				√	√				
	Replace						√			√
Deposit cup	Clean					√				
Valve clearance	Inspect						√			
	Adjust						√			
Fuel filter	Inspect				√					
	Clean						√			√
Fuel tank	Clean						√			√
Fuel supply line	Clean	Every two years (replace if necessary)								
Recoil Starter Rope	Inspect	√								
	Clean		√							
Cooling system	Inspect	√								
	Clean		√							
Spark Plug	Inspect					√				
	Clean					√				
	Adjust					√				
	Replace								√	√
Spark arrestor	Clean					√				
Idling	Check						√			
	Adjust						√			
Fasteners, inclusive of Bolts, Screws, Nuts	Inspect	√								
	Tighten									√
	Replace								√	
Safety Information Label	Replace								√	

## WARNING

Moving parts can amputate fingers or cause severe injuries. Keep hands, clothing and loose objects away from all moving attachments.

Always stop engine, disconnect spark plug, and make sure all moving parts have come to a complete stop before performing any inspection or maintenance.

Allow the machine to cool down before performing maintenance service. Wear gloves to protect hands from sharp edges and hot surfaces.

Before cleaning, inspecting or repairing the machine, make sure that engine has been stopped and cooled down. Disconnect the spark plug to prevent accidental starting.

## NOTICE

Use only parts manufactured by the company or equivalents in quality; otherwise damage to engine may occur.

## NOTICE

The maintenance instructions described in this section are only for inside-ventilating double-core carburetors and only for paper core air filters.

More often than that in the schedule should be considered if the engine is used in dusty circumstances.

The maintenance items should be done by your authorized dealer unless you are specially trained and is well equipped with tools.

## WARNING

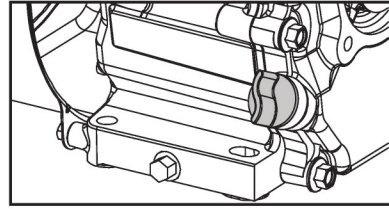
Stall the engine before service. If service is required with the engine running, be sure to keep good ventilation in the area. The exhaust emissions from the engine contain toxic carbon monoxide, inbreathing of it may do harm to personnel and even result in death of personnel.

## Change engine oil

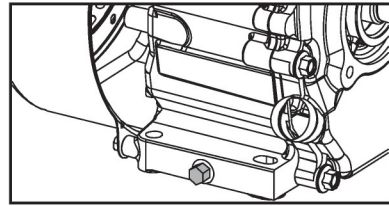
### NOTICE

Change engine oil when the engine is warm. A still hot engine is helpful to drain out the engine oil in the crankcase rapidly and entirely.

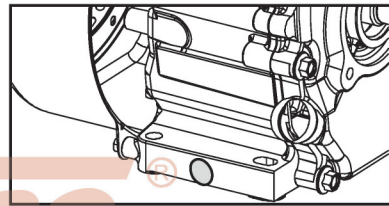
1. Place your machine at proper position on a hard and flat ground so that the gasoline engine is located at a flat level.
2. Turn off the engine
3. Place an oil pan under the drain oil port.
4. Clean the oil gauge dipstick/cap and the area around it to ensure that no dirt falls into the crankcase.



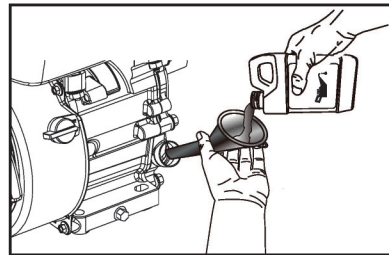
5. Turn the oil gauge dipstick/cap counter-clockwise, remove it and clean it with a clean cloth.



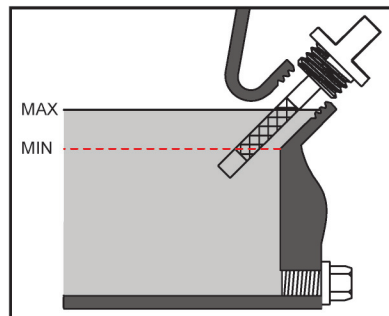
6. Remove the hexagon head drain plug, allow the oil to drain completely.



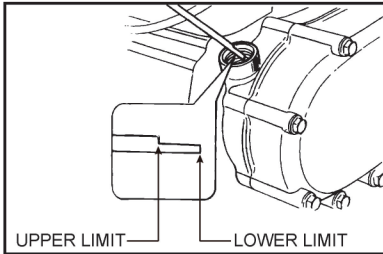
7. Reinstall the hexagon head drain plug and tighten securely.
8. Add engine oil into the crankcase through the oil gauge dipstick/cap installation port (a fuel funnel may be needed here). Do not overfill.



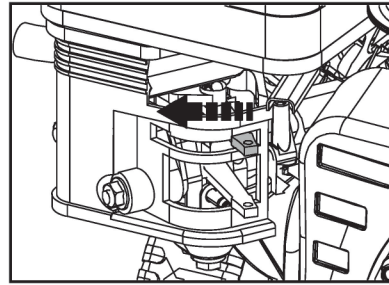
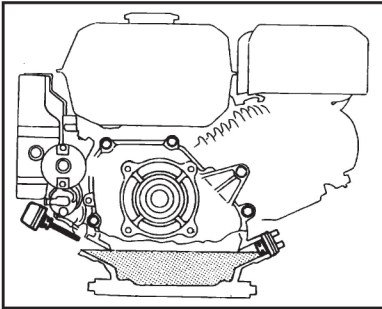
9. Fully reinsert the oil gauge dipstick and pull it out to check the oil level.



- If the oil level is just at MIN marker or below, refill SAE 10W-30 oil through the dipstick hole until the oil level is between upper limit and lower limit marker.



- Reposition the oil gauge dipstick and tighten it by turning clockwise.



- Brush accumulated dirt from air filter area.
- Unscrew the wing nut (A), dismantle the air filter housing (B). Check the two cores (D,E) for damage. If any, replace it with new one.
- Paper filter element (D): knock the core against a solid plane to get rid of accumulated dust or blow out dust from inside to outside with high-pressure air flow(not more than 30 psi). Never clean with a brush, as brushing may force the dust into the core fiber. If the core is extremely filthy, replace it with a new one.
- Foam filter element (E): clean with home detergents and warm water(or non-flammable of high flash-point cleaning solvents) and dry up, then soak it in clean engine oil until saturated. Squeeze out excess oil, otherwise, the engine will discharge smoke in starting stage.

### NOTICE

Do not dump oil containers or discarded engine oil into rubbish boxes or onto the ground. For the sake of environmental protection, we suggest you take in discarded engine oil with a closed container and bring to local recycling station.

### Air filter

This machine is equipped with a double-core type air filter.

A dirty air filter may block enough air's flowing into the carburetor. To keep the carburetor in good working conditions, please service the air filter periodically. If operating the engine in extremely dusty area, the job should be done more often.

### NOTICE

The air filter should be checked after prolonged storage, the following steps should be done when checking the air filter. It is recommended to replace the air filter once every spring.

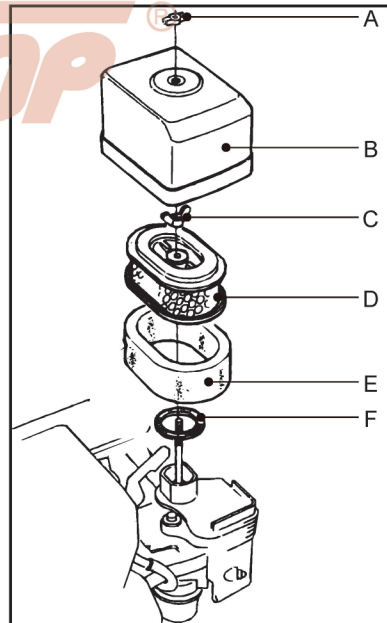
### WARNING

Never clean the air filter core in gasoline or low flash-point detergents, otherwise explosion may happen.

### NOTICE

Never run the engine without an air filter, or air with dirt and dust may enter the engine so speed the engine's wear.

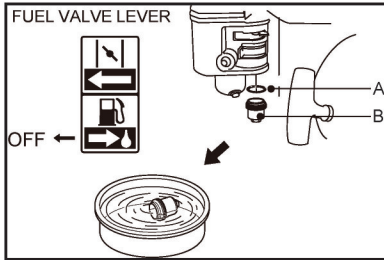
- Move choke lever leftward to "CLOSE" position. This prevents dirt from entering into the carburetor throat when the air filter is removed.



### Washing deposit cup

- Set the fuel switch at "OFF" position.
- Remove the deposit cup and O-ring (A).
- Wash them in non-flammable or high flashpoint cleansing solvents.
- Dry them up completely.
- Reinstall them in the reverse sequence.
- Set the fuel switch to "ON" position.

- After reinstalling the deposit cup (B), check it for leakage and make sure the area around the engine is dry enough.

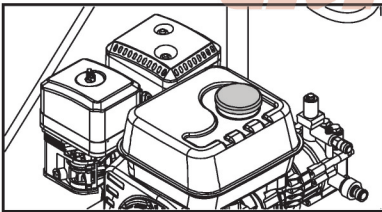


**WARNING**  
Gasoline is extremely flammable and explosive in certain conditions. Keep cigarette, sparks and open flames away.

### Fuel filter

**DANGER**  
Fuel is very flammable. Use extreme care when mixing, storing or handling, or serious personal injury may result.

- Use a clean rag to remove loose dirt from around fuel cap and empty fuel tank.
- Use a fuel line hook to pull the fuel line and filter from the tank.
- Remove the used fuel filter from the line, replace it with a new fuel filter.
- Install the new fuel filter.



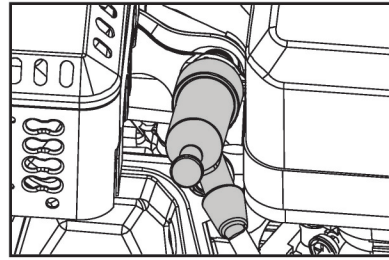
### Spark plug

Starting failure and misfiring are often caused by a fouled spark plug. Clean the spark plug and check that the plug gap is in the correct range. Proper spark plug clearance ensures the engine's normal running under no deposit around the spark plug.

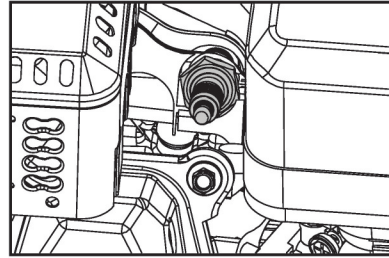
For a replacement plug, use the correct type.

**WARNING**  
Do not touch the muffler, spark plug, or other metallic parts of the engine while the engine is running or immediately shutting down, otherwise burn injury will result.

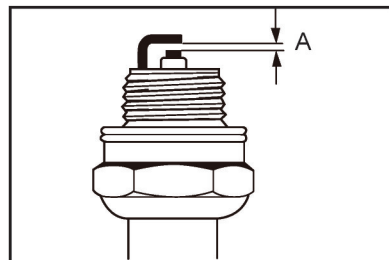
- Disconnect the spark plug wire by pulling it off the spark plug.



- Using the spark plug wrench, remove the spark plug by turning counterclockwise.



- Check spark plug condition for fouling, worn and rounded center electrode.
- Check to see if there is carbon sediment build-up, if so, remove it. If the carbon sediment is excessive, replace the spark plug.
- Clean the plug with a soft brass brush. If the insulator is damaged, replace with a new one. Do not clean it with sand blast. Remaining sand will damage the engine.
- Measure the electrodes clearance with a feeler gauge. The spark plug electrode clearance (A) should be 0.7~0.8 mm. If the clearance exceeds 0.8 mm, replace the spark plug.



- According to Technical Specification, adjust spark plug gap by bending outer electrode. Replace the spark plug with a new one when necessary.
- Screw on the spark plug to the bottom first by hand and then tighten it up by a spark plug wrench. If a new spark plug is used, twist 1/2 more turns after impacting the gasket; if reinstall the original one, just twist 1/8~1/4 more turns.
- Check if the spark plug gasket is in good conditions, or replace with a new one.
- Reconnect the wire to spark plug.

**NOTICE**  
Using any spark plug other than those designated in this manual may result in the engine failing to operate properly, or in the engine becoming overheated and damaged.

## **!** NOTICE

The spark plug must be tightened securely, otherwise it may become very hot to damage the engine.

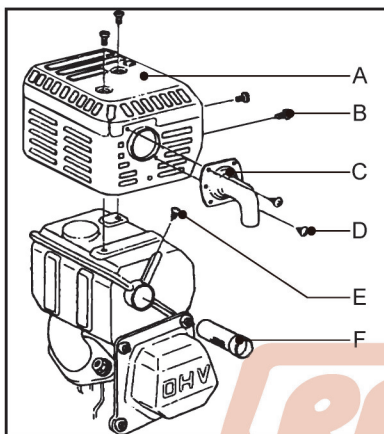
### Spark arrestor (optional part)

The spark arrestor should be serviced at least once every 100 hour's operation so as to keep it in sound condition.

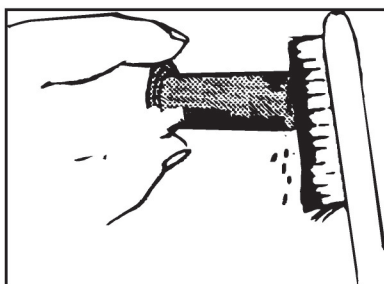
## **!** WARNING

The muffler is very hot during running the engine and even a long time after stopping. Never touch it, or you may get burns. Service after the engine cools down.

Unscrew two M4 screws (D), and remove the exhaust elbow from the engine body.



1. Turn off four M5 screws (A) from the muffler guard and take out the latter.
2. Turn off M4 screw (E) from the spark arrestor (F) and separate it from the muffler.
3. Clear away carbon deposit from the spark arrestor (F) mesh with a brush.



4. Reinstall the spark arrestor (F) in reverse order of removal.

## **!** WARNING

Be careful not to damage the mesh of the spark arrestor. Never use a damaged spark arrestor.

### Carburetor adjustment

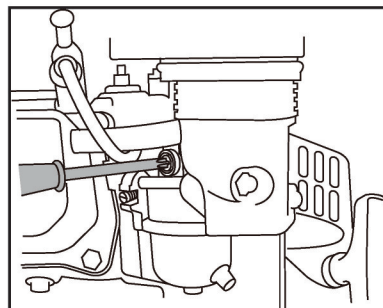
The carburetor has been adjusted at the factory with a standard setting.

This setting provides an optimal fuel-air mixture under most operating conditions.

## **!** NOTICE

Carburetor adjustments, other than idle speed, must be performed by an authorized dealer or service center.

1. Shut off the engine.
2. Check the air filter, clean or replace it if necessary.
3. Check the spark arrestor in the muffler, clean or replace it if necessary.
4. Start and preheat the engine until arriving at its normal working temperature.
5. Obtain standard idling by adjusting the throttle fixing screw under the engine runs at a low speed. Standard idling:  $1700 \pm 15$ rpm.



### Clean the gasoline engine

## **!** NOTICE

Do not spray the gasoline engine with water. Water can contaminate the fuel system and can enter the engine through the cooling slots and damage the engine.

1. Use a damp cloth to clean exterior surfaces of the gasoline engine.
2. Use a soft bristle brush to remove dirt and oil.
3. Use an air compressor (25 PSI) to clear dirt and debris from the gasoline engine.
4. Inspect all air vents and cooling slots to ensure that they are clean and unobstructed.

## Repair

Users of this machine should only carry out the maintenance and service work described in this owner's manual. CRAFTOP recommends that other repair work be performed by authorized dealer and service center using genuine CRAFTOP replacement parts.

## Storage

## **!** DANGER

Do not store the machine in enclosure where fuel fumes may accumulate or reach an open flame or spark, otherwise serious personal injury may result.



**! WARNING**

The muffler and surrounding covers become hot during operation. Always keep exhaust area clear of flammable debris during transportation or when storing, otherwise serious property damage or personal injury may result.

**! NOTICE**

Do not store your machine for periods of time 30 days or longer without performing protective storage maintenance which includes the following procedure:

**Gasoline engine storage**

1. Allow the gasoline engine to cool completely before storage.
2. Turn off the fuel supply at the fuel valve.
3. Clean the gasoline engine according to the instructions described in this manual.
4. Store the machine in a clean, dry area out of direct sunlight.

**Engine stored for 1~2 month**

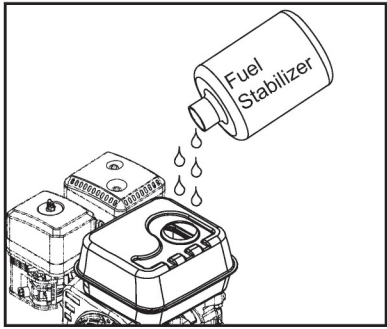
1. Allow the engine to cool completely before storage.
2. Clean engine according to the instructions described in this manual.
3. Drain out the fuel from the fuel tank and refuel with fresh fuel.
4. To extend the fuel storage life, add a properly formulated fuel stabilizer to the tank.
5. Ensure the fuel valve is set to the "OFF" position.

**Engine Stored for 2 months ~ 1 year**

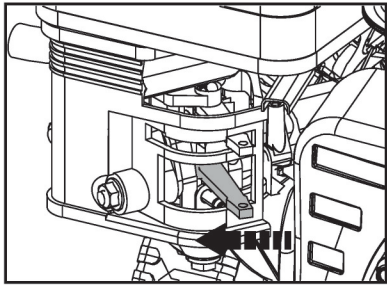
1. Allow the engine to cool completely before storage.
2. Clean engine according to the instructions described in this manual.
3. Drain out the fuel from the fuel tank.
4. Screw off the drain plug and drain out fuel in the carburetor.
5. Turn off the engine switch firstly, disconnect the deposit cup and empty it.
6. Refuel the fuel tank with fresh fuel.
7. To extend the fuel storage life, add a properly formulated fuel stabilizer to the tank.
8. Ensure the fuel valve is set to the "OFF" position.

**Engine Stored for more than 1 year**

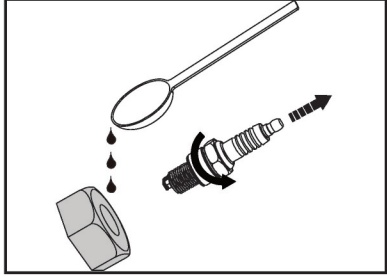
1. Drain out the fuel from the fuel tank.
2. Screw off the drain plug and drain out fuel in the carburetor.
3. Turn off the engine switch firstly, disconnect the deposit cup and empty it.
4. Refuel with fresh fuel.
5. Add a properly formulated fuel stabilizer to the tank.



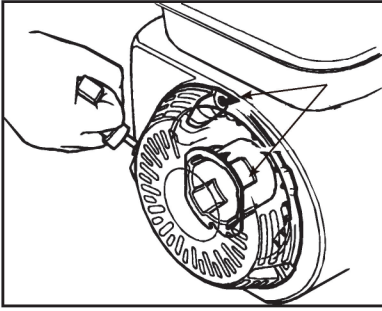
6. Run the engine for a few minutes so the treated fuel cycles through the fuel system and carburetor.
7. Turn the fuel valve to the "OFF" position.



8. Let the engine run until fuel starvation has stopped the engine. This usually takes a few minutes.
9. The engine needs to cool completely before cleaning and storage.
10. Clean the engine according to the Maintenance section.
11. Change the engine oil.
12. Remove the spark plug and pour about 0.5oz. (14.9ml) of oil into the cylinder. Crank the engine slowly to distribute the oil and lubricate the cylinder.



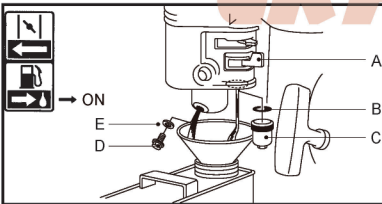
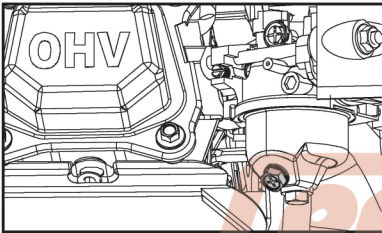
13. Reattach the spark plug.
14. Pull the starting rope slowly until feel a slight anti-action, and then keep pulling so as to align the arrow of the starting sleeve with the hole of the starter. At this time, both the inlet and outlet valves are closed so to help prevent the engine inside from rusting.



15. Cover the engine so keep dust away.

If you wish to drain the fuel instead of adding fuel stabilizer, please follow these steps below:

1. Turn fuel valve (A) to the "OFF" position.
2. Remove drain hex screw (D) and washer (E) from the carburetor.
3. Turn fuel valve (A) to the "ON" position and drain the fuel from the tank, carburetor and hose.
4. Reposition the carburetor drain hex screw once the fuel is completely drained.



For the sake of environmental protection, we highly recommend to fill the discarded fuel into a closed container and bring to your local recycling station.

Contact your local recycling center or factory to dispose used engine oil in a proper way.

**! DANGER**  
Plastic bags can be a danger to young children, dispose of immediately!

Contact your local authorized dealer or service center for the latest information on waste disposal.

**! NOTICE**  
*Always store and transport gasoline engines in a stable, horizontal position. Support gear case to prevent excessive flexing, which may cause damage to these components.*

## Disposal

Observe all country-specific and local waste disposal rules and regulations.

CRAFTOP products must not be thrown in the garbage bin. Take the machine, accessories and packaging to an approved disposal site for environment friendly recycling.

Dispose of all packing material in an environmentally responsible manner.

## Troubleshooting guide

### DANGER

Fuel vapors are extremely flammable and may cause fire and/or explosion. Never test for ignition spark by grounding spark plug near cylinder plug hole, otherwise serious personal injury may result.

Problem	Cause	Solution
Engine will not start (or stops while operating)	<ol style="list-style-type: none"> <li>1. Low-oil shutdown</li> <li>2. Engine switch not in "ON" position.</li> <li>3. Pressure built up in the hose</li> </ol>	<ol style="list-style-type: none"> <li>1. Fill engine with SAE 10W-30 engine oil</li> <li>2. Turn switch "ON"</li> <li>3. Squeeze trigger while starting</li> </ol>
If engine sounds abnormally, it could be overloaded.	<ol style="list-style-type: none"> <li>1. Nozzle partially blocked</li> <li>2. Excessive pressure</li> </ol>	<ol style="list-style-type: none"> <li>1. Clean nozzle using nozzle cleaning tool or paper clip</li> <li>2. Shorten the spring coil of the reflux valve</li> </ol>
Engine is running but pump won't build maximum pressure or has irregular pressure	<ol style="list-style-type: none"> <li>1. Faucet closed</li> <li>2. Machine has been stored in freezing temperatures</li> <li>3. Inadequate water supply</li> <li>4. Water inlet screen clogged</li> <li>5. Kink in garden hose</li> <li>6. Wand tip worn or damaged</li> <li>7. Air in pump</li> <li>8. Engine speed not set to maximum position</li> </ol>	<ol style="list-style-type: none"> <li>1. Open faucet</li> <li>2. Thaw out unit completely including hose, gun and wand.</li> <li>3. Provide a minimum of 4 GPM at 30 PSI</li> <li>4. Clean screen</li> <li>5. Straighten garden hose</li> <li>6. Replace wand</li> <li>7. Let it run with gun open and wand removed until steady stream of water is released</li> <li>8. Set throttle to maximum position</li> </ol>
No intake of chemicals	<ol style="list-style-type: none"> <li>1. Injection tube not securely inserted into unit</li> <li>2. Tube cracked or split</li> <li>3. Wrong nozzle</li> <li>4. Nozzle blocked</li> <li>5. Clogged chemicals injector</li> </ol>	<ol style="list-style-type: none"> <li>1. Push firmly into injector fitting</li> <li>2. Replace tube<sup>®</sup></li> <li>3. Switch to low pressure nozzle</li> <li>4. Clean nozzle</li> <li>5. Dissolve by running warm water</li> </ol>
Trigger will not move	<ol style="list-style-type: none"> <li>1. Gun safety lock engaged</li> </ol>	<ol style="list-style-type: none"> <li>1. Release safety lock</li> </ol>
Water in crankcase	<ol style="list-style-type: none"> <li>1. High humidity</li> <li>2. Worn seals</li> </ol>	<ol style="list-style-type: none"> <li>1. Change oil more frequently</li> <li>2. Change the oil seals</li> </ol>
Noisy operation	<ol style="list-style-type: none"> <li>1. Worn bearings</li> <li>2. Air mixed with water</li> </ol>	<ol style="list-style-type: none"> <li>1. Change the bearing</li> <li>2. Check inlet lines for restrictions and/or proper sizing</li> </ol>
High crankcase temperatures	<ol style="list-style-type: none"> <li>1. Wrong grade of oil</li> <li>2. Improper amount of oil in crankcase</li> </ol>	<ol style="list-style-type: none"> <li>1. Use SAE 10W-30 engine oil</li> <li>2. Adjust oil level to proper amount</li> </ol>
Rough/pulsating operating with pressure drop	<ol style="list-style-type: none"> <li>1. Inlet restriction</li> <li>2. Air mixed with water</li> </ol>	<ol style="list-style-type: none"> <li>1. Check system for stoppages, air leaks, correctly sized inlet, plumbing to pump</li> <li>2. Check inlet lines for restrictions and/or proper sizing</li> </ol>

Starting engine difficulty		
Problem	Cause	Solution
1. Something wrong with the fuel system	There is no enough fuel in fuel tank or fuel cock is closed	Fill fuel, open fuel cock
2. Fuel supply is blocked or on fuel. ▲ Normal cylinder compression	Air vent in the fuel filter cap is clogged	Dredge are vent
	Fuel cock is clogged	Clean first and then dredge

Starting engine difficulty			
Problem	Cause	Solution	
▲ Normal spark	Improper or clogged main jet	Readjust or clean, blow to get through	
	Needle valve is closed improperly or start hole is clogged	Dismantle needle valve and repair, clean, blow to get through	
	Floater is damaged or sticking	Repair floater	
3. Something wrong with the fuel system	Fuel is filthy or deteriorated	Replace	
	There is water in fuel	Replace	
▲ Normal cylinder compression	Too much fuel in engine cylinder	Drain extra fuel, dry up spark plug electrodes	
▲ Normal spark	Wrong fuel type	Select proper fuel brand corresponding with technical specification	
▲ Fuel flows easily and smoothly			
4. Spark plug is in bad condition	Too much carbon fouling and dirt around electrodes	Clear away	
▲ Normal cylinder compression	Electrodes are burn damaged seriously o insulators damaged	Replace spark plug	
▲ Normal fuel supply	Improper electrodes gap	Adjust to proper value	
▲ Normal high-pressure coil spark			
5. No high-pressure coil spark	High-pressure coil is damaged	Replace	
▲ Normal cylinder compression	Ignition coil damaged	Replace	
▲ Normal fuel supply	Magneto loses magnetism	Replace	
▲ Normal spark plug			
6. Poor cylinder compression	Piston ring is so worn to over its wear limit	Replace a set of piston rings	
	Piston ring is sticking	Clear up carbon fouling	
	Piston ring is broken	Replace	
	▲ Normal fuel supply system	Spark plug is not installed tighten or without a gasket	Tighten with a gasket in
	▲ Normal ignition system	Air leakage between cylinder block and cylinder	Check cylinder gasket and the flatness of the surface by which cylinder black contacting with cylinder head; tighten cylinder bolts in the order to stipulated torque
		Air leakage in valve	Check valve clearance and tightness, repair if necessary

### WARNING

When testing the spark plug, never hold the high-voltage wire of the spark plug with wet hand.  
 Make sure there is no spilled fuel outside the engine and that the spark plug isn't dipped with fuel.  
 To prevent fire, keep sparks far away from the spark plug mount hole.  
 Having fulfilled all the check items above, if the engine still fails to work, contact your dealer for help.

Low gasoline engine power output			
Problem	Cause		Solution
When turning throttle greater, speed increase responds slowly or speed is	Ignition system	Incorrect ignition time	Readjust ignition advance angle
	Fuel supply	Air in fuel line, fuel line clogged	Exhaust air or dredge fuel line

Low gasoline engine power output			
Problem	Cause		Solution
decreased even engine stops	system	Main jet is not adjusted properly	Readjust
		In carburetor, needle valve hole and main jet clogged	Clean and blow to get through
		Fuel cock is clogged up	Cheam, replace damage part
		Too much carbon fouling in combusting chamber	Clear away
		Air filter is clogged up	Clean filter element
		Intake pipe is leaking	Replace
		Piston or cylinder or piston ring is worn	Replace it with a new one
	Poor compression	Air leakage from the surface by which cylinder block contacting with cylinder head	Replace cylinder gasket
		Too big or too small valve	Adjust
		Valve tightness is poor	Repair

Gasoline engine can not run smoothly		
Problem	Cause	Solution
Engine is pinking	Piston pin and piston pin hole are worn excessively	Replace the worn
	Tie rod small head is worn excessively	Replace piston or piston pin
	Roller bearing for crank shaft main shaft is worn	Replace tie rod
	Roller bearing for crank shaft main shaft is worn	Replace roller bearing
Abnormal combustion	Engine is too hot	Shoot trouble
	Too much carbon fouling in combustion chamber	Clear away
	Improper gasoline brand or low gasoline quality	Replace with qualified gasoline
Engine can not start because of spark lacking	There is water in floater room	Clean
	Improper spark plug electrodes clearance	Adjust
	Incorrect ignition time	Readjust
	Something wrong with induced coil, and so on	Check and replace damaged parts

Stop suddenly when running			
Problem	Cause	Solution	
Stop suddenly when running	Fuel supply system	Fuel is used up	Fill fuel
		Carburetor is clogged	Check fuel line and dredge
		Floater is leaking	Repair
		Needle valve sticks	Dismantle floater chamber and eliminate it

Stop suddenly when running			
Problem	Cause	Solution	
	Ignition system	Spark plug is truck through, or short-circuited by carbon deposit	Replace spark plug
		Side electrode of spark plug is dropped out	Replace spark plug and remove the dropped object
		Hi-voltage wire is dripped out	Connect it
		Engine oil in the crankcase is insufficient	Add engine oil until it arrives the proper level
		Ignition coil is truck through to be short-circuited	Replace ignition coil with new one
		Parking wire is located on the engine body	Find out meeting and insulate
	The other	Cylinder is pulled considerably, valve falls off	Repair or replace damaged parts

Gasoline engine excessively hot		
Problem	Cause	Solution
Gasoline engine is excessively hot	Improper ignition time	Adjust ignition advance angle properly
	Insufficient engine oil supply	Refill sufficient engine oil
	Exhaust pipe is clogged	Dredge exhaust pipe
	Flow guard is leaking	Repair leakage
	Dirt or something like this fill up among air cooling fins	Clear away dirty of something like this
	Cooling fan is loosen, losing function	Reinstall it well
	Cylinder, piston or piston ring is worn, resulting in air flow between cylinder and crankcase	Replace tie rod
	Tie rod deformation makes piston and cylinder bushing side wear	Replace the worn part
	Improper adjustment of engine speed produces excessive rotational speed	Readjust engine speed to proper value by speed regulator
	Bearing of crankshaft is burnt out	Replace main bearing

### NOTICE

The gasoline engine should run under certain temperature. Generally, permitting temperature at the flow guard outlet is between 80~100 °C, while the temperature of the crankcase is about 60 °C under the magneto. If temperatures surpass the limits, it is an indication that the gasoline engine is excessive hot.

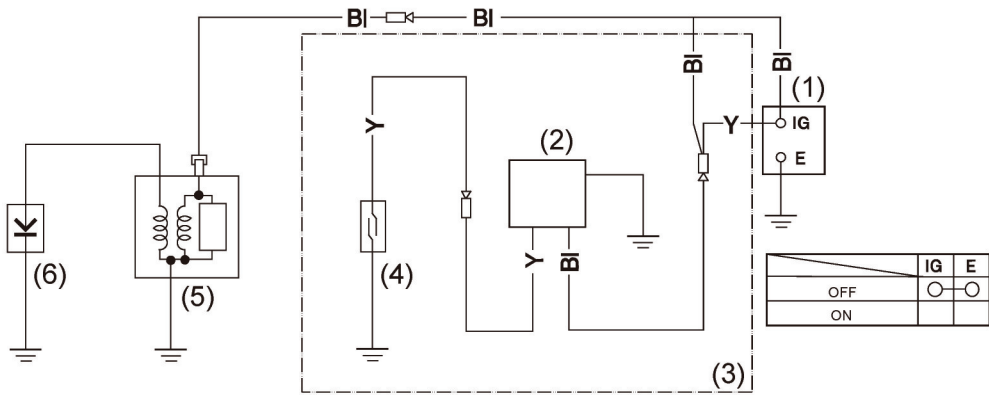
Abnormal noise when engine is running		
Problem	Cause	Solution
There is noise of beating or piston slap is heard	Piston or piston ring or cylinder is worn	Replace the worn part
	Tie rod or piston pin and piston pin hole is worn	Replace the worn part
	Main bearing of crankshaft is worn	Replace
	Piston ring is broken	Replace

Abnormal noise when engine is running		
Problem	Cause	Solution
There is metal-beaten noise in abnormal combustion	Too much carbon deposit in combusting chamber	Clear away carbon deposit
	Too small electrodes clearance of spark plug	Adjust electrodes clearance properly
	Engine is flooded with fuel	Check relative parts such as carburetor
	Improper fuel brand	Replace fuel
	Engine is excessively hot	Shoot trouble
Others	Improper valve clearance	Readjust valve clearance properly
	Fly wheel is not connected to crankshaft tightly	Connect tightly

**i information**  
 If your gasoline engine seems to need further service, please consult with your local authorized dealer or service center.



## Electrical diagram



**BI = BLACK**

**Y = YELLOW**

- (1) ENGINE SWITCH
- (2) OIL ALERT UNIT
- (3) TYPE WITH OIL ALER UNIT
- (4) OIL LEVEL SWITCH
- (5) SPARK PLUG
- (6) IGNITION COIL

**CRAFTOP**®



**CRAFTOP**®

[WWW.CRAFTOP.COM](http://WWW.CRAFTOP.COM)

**CRAFTOP**®



# Manual del usuario

## Motor de gasolina

### GE160,GE200,GE210



EXPERTOS  
EN EQUIPOS JARDINERIA  
Y AGRICULTURA

ESPAÑOL  
VERSION: 01-202111

## Le agradecemos la compra de CRAFTOP Motor de Gasolina

Este motor de gasolina proporciona una tecnología avanzada y una potente energía al incorporar muchas características convenientes para que usted realice su trabajo diario.

**Antes de intentar utilizar este motor de gasolina, lea atentamente este manual hasta que comprenda completamente y pueda seguir todas las normas de seguridad, precauciones e instrucciones de funcionamiento y mantenimiento.** Le ayudará tanto a familiarizarse con este motor de gasolina como a reconocer y evitar situaciones que podrían ponerle en peligro a usted y a otras personas. **Un uso descuidado o inadecuado puede causar lesiones graves o incluso mortales.**

Si tiene alguna pregunta sobre su motor de gasolina y este manual, póngase en contacto con su concesionario o centro de servicio autorizado. Siempre agradecerán sus preguntas, sugerencias y críticas constructivas.

Esperamos que disfrute de este motor de gasolina y le deseamos muchos años de trabajo seguro y agradable con él.

**CRAFTOP CANADA LTD.**

The logo for CRAFTOP is displayed in a bold, italicized, orange font. The word "CRAFTOP" is written in a stylized, blocky font with a slight shadow effect. A registered trademark symbol (®) is located to the right of the word.

## Índice de contenidos

Guía de uso de este manual .....	31
Resumen del producto .....	33
Especificaciones Técnicas .....	36
Precauciones e instrucciones de seguridad .....	37
Montaje .....	42
Aceite de motor .....	42
Combustible y abastecimiento de combustible .....	43
Lubricación de la caja de cambios .....	44
Filtro de aire .....	45
Preparación .....	45
Arrancar y parar el motor .....	46
Operación .....	48
Sistema de control de los gases de escape .....	48
Mantenimiento y cuidado .....	50
Reparar .....	55
Almacenamiento .....	55
Eliminación .....	56
Guía para la resolución de problemas .....	57
Esquema eléctrico .....	63

## Guía de uso de este manual

Este Manual del Propietario se refiere a un motor de gasolina CRAFTOP, también llamado máquina y/o producto en este Manual del Propietario.

Toda la información, las especificaciones, las descripciones y las ilustraciones de este manual son tan precisas como se conocen en el momento de su publicación, pero están sujetas a cambios sin previo aviso. Debido al continuo desarrollo del producto, puede haber diferencias entre su máquina y la información de este manual. La información, las especificaciones, las descripciones y las ilustraciones de este manual no suponen ninguna obligación o compromiso legal.

Las ilustraciones son sólo orientativas y se utilizan únicamente para ayudar a explicar las descripciones e instrucciones del texto. Las ilustraciones pueden incluir equipos y accesorios opcionales, y pueden no incluir todo el equipamiento de serie.

Algunos signos o símbolos de la máquina pueden ser un poco diferentes y se refieren a los requisitos especiales de certificación para ciertos mercados.

Cualquier modificación técnica de la máquina que se haya introducido después del plazo de redacción, consulte a su distribuidor local para obtener más información complementaria.

Todas las precauciones e instrucciones de seguridad descritas en este manual deben ser observadas durante la operación del motor de gasolina, y todas las regulaciones, normas y ordenanzas de seguridad federales, estatales y locales aplicables también deben ser observadas.

## Signos y símbolos en este manual

### PELIGRO

Los textos con este símbolo contienen información sobre situaciones peligrosas que pueden causar la muerte o lesiones graves si no se evitan.

### ADVERTENCIA

Los textos con este símbolo contienen información sobre situaciones peligrosas que pueden causar la muerte o lesiones graves si no se evitan.

### PRECAUCIÓN

Los textos con este símbolo contienen información sobre situaciones de peligro que pueden causar lesiones leves o moderadas si no se evitan.

### AVISO

Los textos con este símbolo informan sobre situaciones que pueden causar daños al motor de gasolina si no se evitan.

### información

Los textos con este símbolo contienen información complementaria.



#### Debilitamiento o alerta!

Deben observarse precauciones especiales de seguridad al trabajar con esta máquina, ya que tiene piezas que giran a gran velocidad, utiliza combustible inflamable y expulsa humos venenosos.

#### Lea y comprenda el Manual del Propietario.

Lea atentamente este manual de instrucciones, asegúrese de que comprende completamente y puede seguir todas las normas de seguridad, precauciones e instrucciones de funcionamiento y mantenimiento antes de intentar utilizar esta máquina, ¡su incumplimiento puede causar lesiones graves o incluso mortales!



#### Llevar ropa adecuada.



#### Se requiere protección para los ojos y los oídos.

Utilice siempre gafas de seguridad adecuadas o gafas de seguridad con protecciones laterales, así como tapones o silenciadores para los oídos cuando utilice esta máquina.





**Se requiere protección para el cabello.**

El operario que tenga el pelo largo deberá atarlo y confinarlo con una redecilla, un gorro o un casco, por ejemplo.

**Se requiere protección respiratoria.**



Lleve una protección respiratoria adecuada para protegerse de los disolventes químicos, los aerosoles, los aceites, el moho y otras partículas o alérgenos más dañinos en el aire que puedan pasar desapercibidos.

**Protección de las manos.**



Utilice siempre guantes adecuados cuando manipule detergente químico o maneje un motor de gasolina.

**Se requiere protección para los pies.**



Use zapatos o botas con suela antideslizante en su área de trabajo.

**Peligro de incendio.**



Riesgo de incendio.

El material inflamable o sus vapores pueden incendiarse fácilmente si están cerca del calor, las llamas o las chispas.

**No se puede fumar.**



No fume en esta zona.

**Humos tóxicos.**



Las sustancias químicas contenidas en los tubos de escape del motor pueden causar cáncer y defectos de nacimiento y otros daños reproductivos.

**Venoso.**



El símbolo de la calavera y las tibias cruzadas significa que el producto es venenoso o tiene/produce material venenoso. Lamer, comer, beber u oler una sustancia marcada con este símbolo puede ponerle muy enfermo o incluso causarle la muerte.

**Riesgo de asfixia.**



Este motor emite monóxido de carbono, un gas venenoso inodoro e incoloro. Respirar monóxido de carbono puede provocar náuseas, desmayos o incluso la muerte. Utilice esta máquina únicamente en

una zona exterior bien ventilada



**Aviso de superficie caliente.**

El contacto puede causar quemaduras.

¡No toques!

**Signos y símbolos de la máquina**

A efectos de seguridad de funcionamiento y mantenimiento, los significados de los signos y símbolos pueden estar fijados o grabados en la máquina.



**El puerto para recargar combustible.**

Posición: Tapón de combustible



**El puerto para rellenar el aceite del motor.**

Posición: Tapón de aceite



**Control de estrangulamiento.**

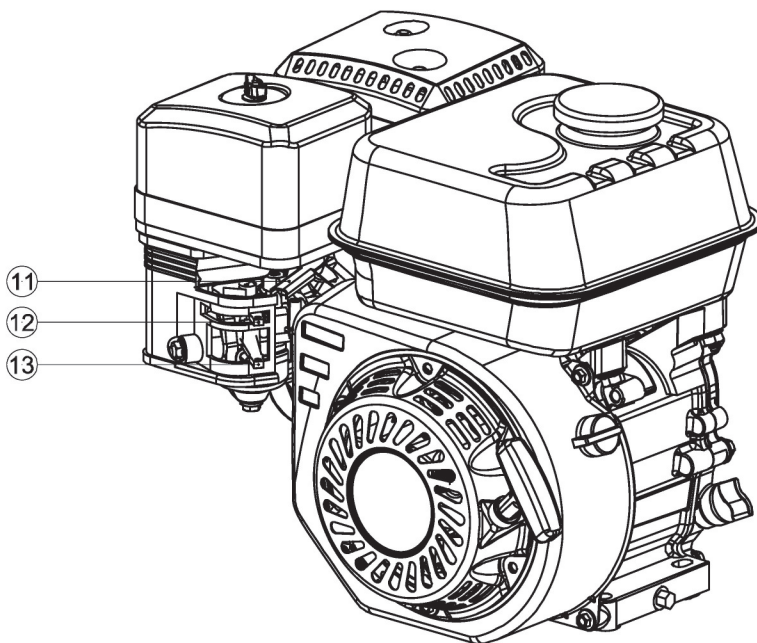
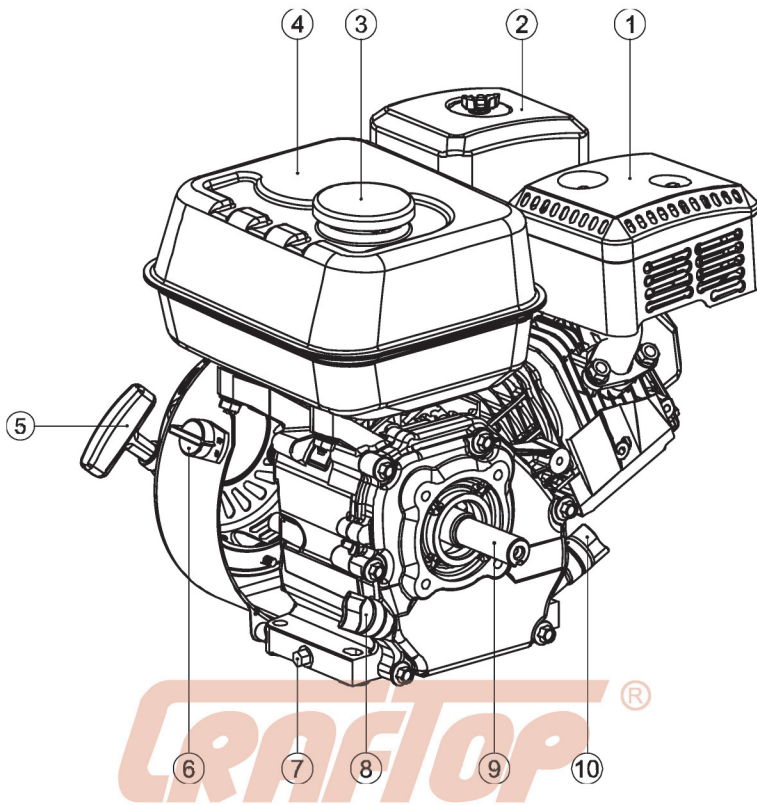
Choque cerrado.

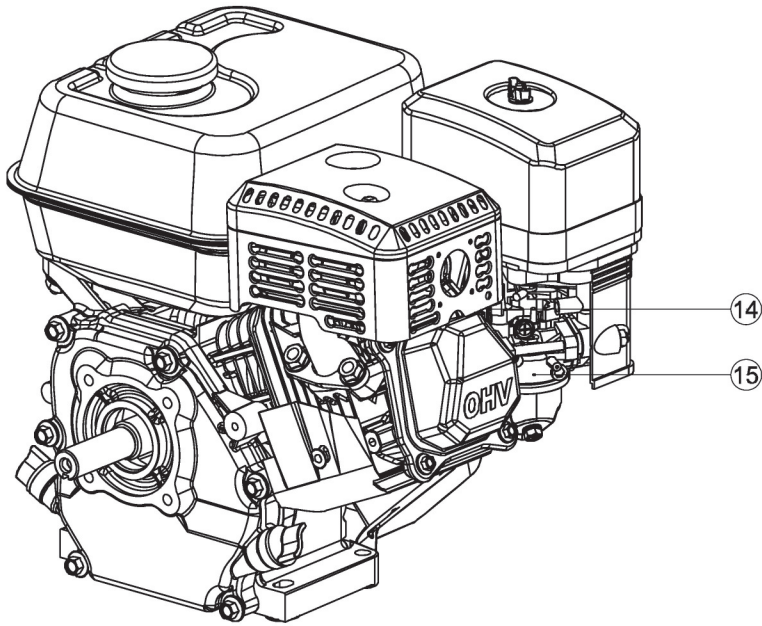
Posición de "arranque en frío".

**Control de estrangulamiento.**

Ahogado abierto.

Posición de "correr".





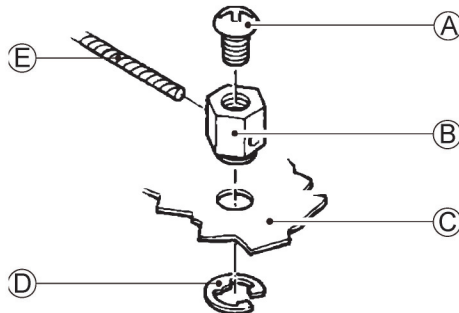
- |   |                                     |    |                                      |    |                           |
|---|-------------------------------------|----|--------------------------------------|----|---------------------------|
| 1 | Silenciador                         | 6  | Interruptor del motor                | 11 | Palanca del acelerador    |
| 2 | Filtro de aire                      | 7  | Tapón de drenaje de aceite del motor | 12 | Palanca del estrangulador |
| 3 | Tapa del depósito de combustible    | 8  | Tapón de aceite del motor            | 13 | Válvula de combustible    |
| 4 | Depósito de combustible             | 9  | Eje de toma de fuerza                | 14 | Bujía                     |
| 5 | Empuñadura de arranque de retroceso | 10 | Tapón de aceite del reductor         | 15 | Carburador                |

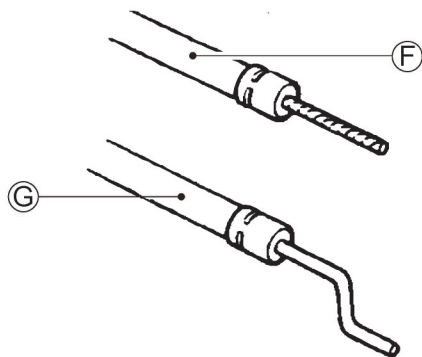
### Conexión de control de distancia (opcional)

Los agujeros de las palancas del estrangulador y de la válvula de mariposa se utilizan para montar cables de acero opcionales, las ilustraciones siguientes muestran cómo montar un cable de acero sólido y un cable de acero mallado. Si se elige un cable de acero mallado, se necesita un muelle de retorno.

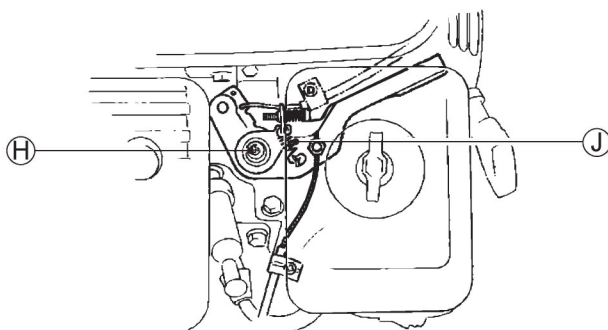
Si es necesario, puede desenroscar ligeramente la tuerca de amortiguación de la palanca de la válvula de mariposa cuando se controla la válvula de mariposa mediante un cable de acero con mando a distancia.

### Opciones de accesorios:

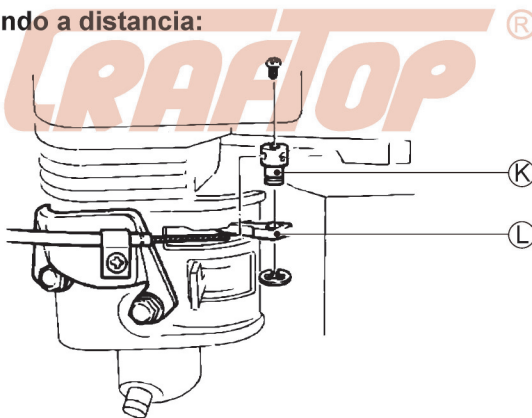




**Acelerador con mando a distancia:**



**Estrangulador con mando a distancia:**



- |                           |  |                              |
|---------------------------|--|------------------------------|
| A. Tornillo de 4mm        | F. Montaje de núcleo de cable flexible             | K. Soporte para cables       |
| B. Soporte para cables    | G. Montaje de núcleo de cable sólido               | L. Palanca del estrangulador |
| C. Palanca del acelerador | H. Muelle de retorno                               |                              |
| D. Anillo de clip de 5 mm | J. Tuerca de fricción de la palanca del acelerador |                              |
| E. Cable                  |  |                              |



## Especificaciones Técnicas

Modelo		GE160	GE200	GE210
Descripción	Unidad	Especificación		
Dimensión del producto	mm	365x320x330	365x320x330	365x320x330
Dimensión del paquete	mm	390x330x380	390x330x380	390x330x380
Peso neto	kg	15	15	15
Peso bruto	kg	16	17	17
Temperatura de aplicación	°C	-5°C a 45°C	-5°C a 45°C	-5°C a 45°C
Tipo de motor		Motor de gasolina de un cilindro, refrigeración por aire forzado, 4 tiempo, OHV		
Potencia nominal (salida)	kW/rpm	3.1/3600	3.8/3600	4.2/3600
Torque Máximo	Nm/rpm	8.8/2500	11/2500	12/2500
Consumo de combustible	g/kW.h	≤395	≤395	≤395
Consumo de aceite	g/kW.h	≤6.5	≤6.5	≤6.5
Velocidad de ralenti mas baja	rpm	1600±100		
Ruido	dB(A)	105	105	105
Diámetro del cilindro	mm	68	68	70
Viaje del pistón	mm	45	54 <sup>®</sup>	55
Desplazamiento	cc	163	196	212
Capacidad del depósito de combustible	L	3.6	3.6	3.6
Capacidad de aceite	L	0.6	0.6	0.6
Relación de compresión		8.5:1		
Modo de lubricación		Salpicadura de fuerza		
Modo de inicio		Arranque con retroceso		
Especificación del aceite		SAE10W-30		
Especificación del combustible		Gasolina sin plomo		
Sistema de encendido		Encendido magnético transistorizado (T.C.I)		
Dirección de salida del eje de potencia		En sentido contrario a las agujas del reloj		
Tipo de bujía		F7TC		

Este motor está equipado con un sensor de bajo nivel de aceite que apaga el motor automáticamente cuando el nivel de aceite cae por debajo de un nivel especificado. Si el motor se apaga solo y el depósito de combustible tiene suficiente gasolina, compruebe el nivel de aceite del motor.

### información

Los datos técnicos varían según el tipo de motor. Las especificaciones, descripciones e ilustraciones de este manual son tan precisas como se conocen en el momento de su publicación, pero están sujetas a cambios sin previo aviso.

## Precauciones e instrucciones de seguridad



Deben observarse precauciones especiales de seguridad al trabajar con esta máquina porque tiene piezas que giran a gran velocidad, utiliza combustible inflamable, produce agua a alta presión y expulsa humos venenosos.

Antes de intentar utilizar este motor de gasolina, lea atentamente este manual hasta que comprenda completamente y pueda seguir todas las normas de seguridad, precauciones e instrucciones de funcionamiento y mantenimiento. Un uso descuidado o inadecuado puede dañar la máquina y causar lesiones graves o incluso mortales!



### Precauciones de seguridad

#### PELIGRO

- Debido a que este motor de gasolina tiene piezas que giran a gran velocidad, utiliza combustible inflamable y expulsa humos venenosos, deben observarse algunas precauciones especiales para reducir el riesgo de accidentes y lesiones personales. Un uso descuidado o inadecuado puede causar lesiones graves o incluso mortales.
- Las piezas giratorias pueden enredar el pelo, las manos, la ropa, los pies y/o los accesorios. Puede producirse una amputación traumática o una laceración grave.
- La gasolina es un combustible extremadamente inflamable. Si se derrama y se enciende por una chispa u otra fuente de ignición, puede causar un incendio y graves quemaduras o daños materiales. Extreme las precauciones al manipular la gasolina. Durante las operaciones de abastecimiento de combustible puede salir vapor de combustible del sistema o del recipiente. No fume ni acerque ningún fuego o llama al combustible o a la máquina.
- No opere esta máquina en interiores o en áreas inadecuadamente ventiladas. No permita que los gases de escape entren en un área confinada a través de ventanas, puertas, respiraderos u otras aberturas. Los gases de escape del motor contienen emisiones venenosas y pueden causar lesiones graves o la muerte.

#### ADVERTENCIA

- Respete todos los reglamentos, normas y ordenanzas locales de seguridad aplicables.
- Los motores en marcha producen calor. Pueden producirse quemaduras graves por contacto. El material combustible puede incendiarse por contacto.
- El ruido emitido por esta máquina puede estar restringido a ciertas horas por la normativa nacional o local.

- Nunca se debe permitir que los menores de edad utilicen este motor de gasolina. No permita que otras personas se acerquen al motor de gasolina durante su arranque o funcionamiento. Mantenga a los transeúntes, especialmente a los niños, y a los animales fuera de la zona de trabajo y manténgase a una distancia segura. Es necesario supervisar de cerca a los niños para asegurarse de que no entren en la zona de trabajo ni jueguen con la máquina.
- No deje nunca el motor de gasolina en marcha sin vigilancia. Cuando no esté en uso (por ejemplo, durante una pausa de trabajo), apáguelo y asegúrese de que no lo utilicen personas no autorizadas.
- La persona que utilice este motor de gasolina debe estar en buenas condiciones físicas y mentales, y no estar bajo la influencia del alcohol y las drogas. Nunca utilice este motor de gasolina cuando esté fatigado, enfermo o molesto. Si se siente cansado, tome un descanso.
- Los componentes de esta máquina pueden generar un campo electromagnético durante su funcionamiento, que puede interferir con algunos marcapasos. Para reducir el riesgo de lesiones graves o mortales, las personas con marcapasos deben consultar a su médico y al fabricante del marcapasos antes de utilizar esta máquina. En ausencia de dicha información, CRAFTOP no recomienda el uso de esta máquina a nadie que tenga un marcapasos.
- El propietario de esta máquina es responsable de evitar lesiones a terceros o daños a su propiedad.

#### PRECAUCION

La exposición prolongada al frío y/o a las vibraciones puede provocar lesiones. Lea y siga todas las instrucciones de seguridad y funcionamiento para minimizar el riesgo de lesiones. El incumplimiento de las instrucciones puede provocar lesiones dolorosas en la muñeca, la mano o el brazo.

El Fenómeno de Raynaud puede afectar a los dedos de ciertas personas si se exponen a vibraciones y frío. La exposición a las vibraciones y al frío puede provocar sensaciones de hormigueo y quemazón, seguidas de pérdida de color y adormecimiento de los dedos. Se recomienda encarecidamente tomar las siguientes precauciones:

- Mantén el cuerpo caliente, especialmente la cabeza, el cuello, las manos, las muñecas, los tobillos y los pies, .
- Mantenga una buena circulación sanguínea realizando ejercicios vigorosos con los brazos durante las pausas de trabajo frecuentes.
- Limite las horas de funcionamiento, descanse cuando se sienta cansado o fatigado.
- Si experimenta molestias, enrojecimiento e hinchazón de los dedos, seguidos de blanqueamiento y pérdida de sensibilidad, consulte a su médico antes de seguir exponiéndose al frío y a las vibraciones.

El uso excesivo de los músculos y tendones de los dedos, las manos, los brazos y los hombros puede causar dolor, hinchazón, entumecimiento, debilidad y dolor extremo en esas zonas.

- Evite utilizar la muñeca en una postura doblada, extendida o torcida. En su lugar, intente mantener una posición recta de la muñeca. Además, al agarrar, utilice toda la mano, no sólo el pulgar y el índice.
- Haz pausas periódicas para minimizar la repetición y dejar que tus manos descansen.
- Reduzca la velocidad y la fuerza con la que realiza el movimiento repetitivo.
- Haz ejercicio para fortalecer los músculos de las manos y los brazos.
- Deje de utilizar inmediatamente la máquina y otras herramientas eléctricas, y consulte a un médico si siente hormigueo, entumecimiento o dolor en los dedos, las manos, las muñecas o los brazos.

## Ropa y EPI

**⚠ ADVERTENCIA**  
Siempre que utilice un motor de gasolina debe llevar ropa adecuada y equipos de protección individual (EPI) homologados.



### Se requiere protección para los ojos y los oídos.

Utilice siempre gafas de seguridad adecuadas o gafas de seguridad con protecciones laterales, así como tapones o silenciadores para los oídos cuando utilice esta máquina.



### Se requiere protección respiratoria.

Lleve una protección respiratoria adecuada para protegerse de los disolventes químicos, los aerosoles, los aceites, el moho y otras partículas o alérgenos más dañinos en el aire que puedan pasar desapercibidos.



### Se requiere protección para el cabello.

El operario que tenga el pelo largo deberá atarlo y confinarlo con una redcilla, un gorro o un casco, por ejemplo.



### Protección de las manos.

Utilice siempre guantes adecuados cuando maneje el motor de gasolina.



### Ropa adecuada.

La ropa debe ser ajustada pero permitir una total libertad de movimientos.

No lleve ropa suelta, joyas, bufanda, corbata o cualquier cosa que pueda quedar atrapada en las palas móviles de la máquina.



### Protección de los pies.

Use zapatos o botas con suela antideslizante en su área de trabajo.

Los equipos de protección personal no pueden eliminar el riesgo de lesiones, pero reducirán el grado de las mismas si se produce un accidente. Pida ayuda a su distribuidor local para elegir los equipos adecuados.

La exposición prolongada o continuada a niveles de ruido elevados puede causar daños auditivos permanentes. Lleve siempre protección auditiva aprobada cuando maneje un motor de gasolina.

## Maneje su motor de gasolina con seguridad

**⚠ ADVERTENCIA**  
Este motor de gasolina debe ser utilizado únicamente por operadores cualificados. Los menores de edad y las personas no capacitadas no deben utilizar nunca esta máquina.

Bajo ninguna circunstancia, debe modificar el diseño original del motor de gasolina sin la aprobación del fabricante. Utilice siempre piezas de recambio originales. Las modificaciones o accesorios no autorizados pueden provocar lesiones graves o incluso mortales.

Bajo ninguna circunstancia debe hacer funcionar el motor de gasolina si está dañado, mal ajustado o mantenido, o si no está montado de forma completa o segura. Inspeccione siempre el motor de gasolina antes de cada uso, y sustituya las piezas inmediatamente si están desgastadas, sueltas, tienen fugas, están dañadas o faltan.

- Desconecte siempre el cable de la bujía y colóquelo en un lugar donde no pueda entrar en contacto con la bujía para evitar un arranque accidental durante la puesta en marcha, el transporte, el ajuste o las reparaciones, excepto los ajustes del carburador.
- Nunca haga funcionar la máquina en una atmósfera explosiva. Sólo haga funcionar el motor de gasolina en una zona exterior bien ventilada y lejos de ventanas, puertas y respiraderos. Nunca arranque o haga funcionar el motor dentro de una habitación o edificio cerrado. Los gases de escape del motor contienen emisiones venenosas y pueden causar lesiones graves o la muerte. No permita que los gases de escape entren en un área cerrada a través de ventanas, puertas, rejillas de ventilación u otras aberturas.
- Durante el funcionamiento, la máquina debe mantenerse al menos a un metro de distancia de las paredes del edificio u otros equipos, y mantenerse alejada de materiales inflamables como gasolina, cerillas, etc., para evitar la posibilidad de incendio.
- No utilice nunca la máquina cuando su campo de visión pueda estar limitado y sea difícil mantener una visión clara de la zona de trabajo.
- Durante la lluvia, las tormentas, los vientos fuertes o huracanados, o en cualquier otro momento en que

las condiciones meteorológicas puedan hacer inseguro el uso de esta máquina.

- No permita que ningún material bloquee las ranuras de refrigeración.
- Coloque el motor en una plataforma de trabajo nivelada para evitar que el combustible se derrame.
- Mantenga el pie y el equilibrio en todo momento. No se sitúe sobre superficies resbaladizas, irregulares o inestables. No opere el motor de gasolina en posiciones extrañas o sobre una escalera o escalerillas.
- Mantenga la zona de escape libre de residuos inflamables. Evite el contacto con superficies calientes durante e inmediatamente después del funcionamiento.
- No utilice una lavadora de alta presión para limpiar el motor de gasolina. El chorro de agua a alta presión puede dañar partes de la máquina.

## Obtener en buen estado de funcionamiento

### PRECAUCION

Todo el servicio del motor de gasolina, aparte de los elementos enumerados en la sección de mantenimiento de este manual, debe ser realizado por un concesionario de servicio autorizado o por personal de servicio de motores de gasolina competente.

### ADVERTENCIA

Utilice únicamente piezas de repuesto de alta calidad para evitar el riesgo de accidentes y daños en la herramienta eléctrica. Si tiene alguna duda al respecto, consulte a un distribuidor o centro de servicio autorizado. CRAFTOP recomienda el uso de piezas de recambio originales. Están diseñadas específicamente para adaptarse a su modelo y cumplir con sus requisitos de rendimiento.

- Para reducir el riesgo de lesiones, apague siempre el motor antes de realizar cualquier operación de mantenimiento o reparación o de limpieza de la máquina, sólo exceptuando los ajustes del carburador y del ralenti.
- Revise la máquina para ver si hay tuercas, pernos y tornillos sueltos o faltantes. Apriete y/o sustituya según sea necesario.
- No haga girar el motor sobre el arranque con el capuchón de la bujía o la bujía desmontada, ya que, de lo contrario, existe riesgo de incendio por chispas no contenidas.
- Compruebe que el sistema de combustible no tenga fugas debido a daños en el depósito de combustible, especialmente si la máquina se ha caído accidentalmente. Si se detectan daños o fugas, no siga utilizando la máquina, ya que de lo contrario podrían producirse graves lesiones personales o daños materiales. Haga reparar la máquina por un distribuidor o centro de servicio autorizado antes de utilizarla.
- Compruebe periódicamente la estanqueidad del tapón del depósito de combustible.
- Compruebe que el nivel de aceite del motor se encuentra en la posición adecuada.

- Para reducir el riesgo de incendio, no realice el mantenimiento ni almacene la máquina cerca de llamas abiertas.
- Utilice únicamente un tipo de bujía aprobado por CRAFTOP y asegúrese de que está en buen estado.
- Inspeccione el cable de encendido (aislamiento en buen estado, conexión segura).
- Compruebe el estado del silenciador. Para reducir el riesgo de incendio y de daños en el oído, no utilice la máquina si el silenciador está dañado o falta.
- No toque el silenciador, la bujía u otras partes metálicas del motor mientras el motor esté en marcha o se apague inmediatamente, de lo contrario se producirán quemaduras.

## Transporte de su motor de gasolina

Evite el arranque accidental. Transporte o mueva la máquina sólo con el depósito de combustible vacío. Para evitar quemaduras o incendios, asegúrese de que el motor esté apagado y se enfríe completamente antes de transportar la máquina.

Al transportar su motor de gasolina en un vehículo, asegure adecuadamente la máquina para evitar que se vuelque, se derrame el combustible y se produzcan daños.

### ADVERTENCIA

No incline el motor para evitar el derrame de combustible. El combustible derramado o el vapor de combustible pueden encenderse y provocar un incendio.

## Manipule el combustible con precaución

Su motor de gasolina utiliza una gasolina sin plomo como combustible.

### ADVERTENCIA

La gasolina es un combustible extremadamente inflamable. Preste mucha atención al repostar, almacenar o manipular la gasolina, de lo contrario pueden producirse graves daños personales.



Si se derrama y se enciende con una chispa u otra fuente de ignición, la gasolina puede provocar un incendio y causar graves quemaduras o daños materiales.



No fume ni provoque ningún tipo de fuego o llama mientras manipula el combustible o mientras hace funcionar el motor de gasolina. Tenga en cuenta que puede salir vapor de combustible del sistema de combustible.

- El combustible utilizado en este motor de gasolina es venenoso. Lleve siempre una protección respiratoria aprobada cuando decante el combustible.
- Manipule el combustible y repóstele en una zona exterior bien ventilada y sobre el suelo desnudo; almacene el combustible en un lugar fresco, seco y bien ventilado; y utilice un recipiente aprobado y marcado para todo tipo de combustible. Limpie todos

los derrames de combustible antes de poner en marcha la máquina.

- Elimine todas las fuentes de chispas o llamas (es decir, fumar, llamas abiertas o trabajos que puedan provocar chispas) en las zonas donde se mezcla, vierte o almacena el combustible. Apague siempre el motor y deje que se enfríe antes de repostar.
- Tenga siempre precaución al manipular el combustible. Limpie todos los derrames y luego aleje el motor de gasolina al menos 3 metros del punto de abastecimiento de combustible antes de ponerlo en marcha.
- Apague siempre el motor antes de repostar, deje que la máquina se enfríe en una zona no combustible, no sobre hojas secas, paja, papel, etc. No reposte un motor caliente - el combustible puede derramarse y provocar un incendio.
- Afloje un poco el tapón de combustible con cuidado para que la presión acumulada en el depósito de combustible se libere lentamente y se evite el derrame de combustible. No retire nunca el tapón de combustible con el motor en marcha!
- Cargue el combustible de su máquina sólo en lugares bien ventilados. Si derrama combustible, limpie la máquina inmediatamente. Si el combustible se derrama sobre su ropa, cámbiela inmediatamente.
- Apriete bien el tapón de combustible en la posición adecuada, asegúrese de que no se afloje o se salga debido a las vibraciones de la máquina.
- Para reducir el riesgo de sufrir quemaduras graves o mortales, compruebe si hay alguna fuga de combustible. Si se detecta una fuga de combustible, no arranque ni haga funcionar el motor hasta que se solucione la fuga.
- No inhalar los vapores del combustible ya que son tóxicos.
- Almacene la máquina y el combustible en una zona en la que los vapores del combustible no puedan alcanzar chispas o llamas abiertas de calentadores de agua, motores o interruptores eléctricos, hornos, etc.

## Antes de arrancar el motor

Un área en un radio mínimo de 15 metros desde el uso de la máquina debe considerarse como un área peligrosa, en la que nadie debe entrar. Si es necesario, se debe colocar una cuerda amarilla de advertencia y señales de advertencia alrededor del perímetro de la zona. Cuando el trabajo sea realizado simultáneamente por dos o más personas, se debe tener especial cuidado en mirar constantemente a su alrededor o comprobar de otra manera la presencia y la ubicación de otras personas que estén trabajando, a fin de mantener una distancia de seguridad suficiente entre cada persona.

Antes de arrancar el motor, compruebe que su máquina está bien montada y en buen estado:

- La máquina sólo puede utilizarse cuando todas las piezas están en buen estado de funcionamiento. Nunca haga funcionar el motor de gasolina si está modificado, dañado, mal ajustado o mantenido, o si no está montado de forma completa o segura. Nunca haga funcionar el motor de gasolina con un regulador

modificado o desconectado. Nunca intente modificar los controles o dispositivos de seguridad de ninguna manera.

- Revise el sistema de combustible en busca de fugas, prestando mucha atención a las partes visibles, como el tapón del depósito de combustible, el conducto de combustible y el tapón de drenaje. Si hay alguna fuga u otro signo de daño, no arranque el motor por el riesgo potencial. Lleve su máquina a reparar a un distribuidor o centro de servicio autorizado antes de volver a utilizarla.
- Compruebe que el capuchón de la bujía está bien montado en la bujía. Si el capuchón está suelto puede producirse un arco eléctrico que podría encender los gases combustibles y provocar un incendio.
- Compruebe que el interruptor del motor, la palanca del estrangulador y la palanca del acelerador funcionan correctamente.
- Mantenga todos los interruptores y palancas secas y limpias, libres de aceite y suciedad, para un control seguro de la máquina.

## Al arrancar el motor



### ADVERTENCIA

Su motor de gasolina está diseñado para ser operado por una sola persona. No permita que otras personas se encuentren en el área de trabajo, ni siquiera durante el arranque.

- No haga funcionar este motor de gasolina a temperaturas inferiores a 5°C. El funcionamiento del motor de gasolina a una temperatura inferior a 5°C puede dañar las piezas del motor. Los daños en el motor de gasolina por el mal uso del usuario no están cubiertos por la garantía.
- Arranque el motor a una distancia mínima de 3 metros del punto de abastecimiento de combustible, en una zona bien ventilada y sólo al aire libre.
- Mantenga a los transeúntes, especialmente a los niños y a los animales, a una distancia mínima de 15 m del punto de trabajo. Si se le aproxima, detenga inmediatamente el motor y accione el pestillo de bloqueo del gatillo de la pistola.
- Coloque la máquina sobre un suelo firme en un área abierta y bien ventilada. Asegúrese de tener un buen equilibrio y una base segura.
- Cuando tire de la manivela de la cuerda de arranque, no enrolle la cuerda de arranque alrededor de su mano. No permita que la cuerda retroceda por sí misma, sino que guíe la cuerda de arranque lentamente hacia atrás para permitir que la cuerda se rebobine correctamente. El incumplimiento de este procedimiento puede provocar lesiones en la mano o en los dedos y puede dañar el mecanismo de arranque.



### información

Cuando se pone en funcionamiento una máquina nueva, en los primeros minutos puede salir grasa de la caja de engranajes. Pero, como se trata de un exceso de grasa, no hay motivo de alarma. Basta con limpiarla con el motor parado para el siguiente uso.

## Durante el funcionamiento

### ADVERTENCIA

Las piezas móviles pueden amputar los dedos o causar lesiones graves. Mantenga las manos, la ropa y los objetos sueltos alejados de todas las piezas móviles. Detenga siempre el motor, desconecte la bujía y asegúrese de que todas las piezas móviles se han detenido por completo antes de eliminar obstrucciones, retirar residuos o realizar tareas de mantenimiento en la unidad.



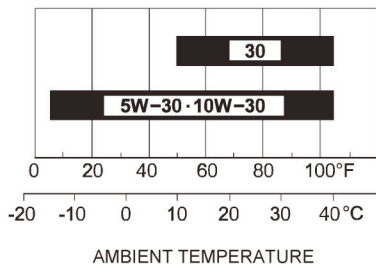
Para reducir el riesgo de incendio por resultado de lesiones graves o mortales o daños materiales, no pulverice nunca líquidos inflamables o combustibles.



En caso de peligro inminente o de emergencia, apague inmediatamente el motor pulsando el interruptor de parada del motor hacia atrás hasta la posición STOP, y accione el pestillo de bloqueo del gatillo.

- Lleve siempre consigo las herramientas, los equipos, las piezas de recambio y los consumibles correspondientes:
  - Herramientas adjuntas en el paquete del producto.
  - Equipos de protección personal.
  - Combustible debidamente reservado
  - Piezas de repuesto.
  - Las cosas que hay que notificar a su trabajo son (cuerda, señales de advertencia, etc.).
  - Silbato (para colaboración o emergencia).
- Mantenga el equilibrio y la estabilidad en todo momento. Hay que tener especial cuidado en condiciones resbaladizas y cuando se trabaja en pendientes o terrenos irregulares.
- Para reducir el riesgo de tropezar y perder el control, no camine hacia atrás mientras maneja el motor de gasolina.
- Para reducir el riesgo de lesiones por pérdida de control, nunca opere el motor de gasolina mientras esté parado en una escalera o en cualquier otro soporte inestable.
- Compruebe que no hay transeúntes, niños ni animales en la zona de trabajo general. Si viene alguien:
  - Evite en todo momento las situaciones de peligro. Advierta a los adultos que mantengan a los niños y a los animales domésticos alejados de su zona de trabajo. Tenga cuidado si se le acercan. Las pulverizaciones a alta presión pueden provocar lesiones.
  - Si alguien le llama o le interrumpe mientras trabaja, asegúrese siempre de apagar la pistola y el motor antes de darse la vuelta. Evite trabajar cuando haya personas, especialmente niños, cerca.
- Esté siempre atento a su entorno y manténgase alerta ante posibles peligros que no pueda oír debido al ruido de la máquina.
- Asegúrate de tener siempre un buen equilibrio y una postura segura. Coloca los pies ligeramente separados (un poco más que la anchura de tus hombros), de modo que tu peso se distribuya uniformemente entre ambas piernas, y asegúrate de mantener siempre una postura firme y uniforme mientras trabajas.
- Tenga especial cuidado en condiciones resbaladizas (suelo húmedo), en pendientes o en terrenos irregulares.
- Tenga cuidado con los obstáculos (manguera, plantas, ladrillos, etc.) que podrían hacerle tropezar o dar un salto.
- Esté especialmente atento y sea precavido cuando lleve protección auditiva, ya que su capacidad para oír avisos (gritos, alarmas, etc.) está restringida.
- Para reducir el riesgo de accidentes, tome un descanso suficiente con tiempo suficiente para evitar el cansancio o el agotamiento.
- Trabaje con calma y cuidado en condiciones de luz diurna y sólo cuando la visibilidad sea buena. Manténgase alerta para no poner en peligro a los demás.
- Para reducir el riesgo de lesiones graves o mortales por respirar humos tóxicos, asegúrese de que haya una ventilación adecuada cuando trabaje en zanjas, huecos u otros lugares confinados.
- Para reducir el riesgo de accidentes, deje de trabajar inmediatamente en caso de náuseas, dolor de cabeza, alteraciones visuales (por ejemplo, reducción del campo de visión), problemas de audición, mareos, deterioro de la capacidad de concentración. Aparte de otras posibilidades, estos síntomas pueden ser causados por una concentración excesiva de gases de escape en la zona de trabajo.
- Opere su máquina de manera que produzca un mínimo de ruido y emisiones. No haga funcionar el motor innecesariamente, acelere el motor sólo cuando esté trabajando. Para evitar quejas por ruido, en general opere la máquina entre las 8AM y las 5PM en días de semana, y entre las 9AM y las 5PM los fines de semana, detalle que debe consultar en su normativa local.
- No haga funcionar su máquina en la posición de acelerador de arranque porque la velocidad del motor no puede ser controlada en esta posición.
- Para reducir el riesgo de incendio, no fume mientras opera o está cerca de su máquina. Tenga en cuenta que puede salir vapor de combustible del sistema de combustible. Limpie siempre los residuos vegetales, las virutas, los restos, las hojas y el exceso de lubricante del motor y del silenciador. Tenga en cuenta que debe parar el motor antes de realizar los trabajos de limpieza.
- Compruebe, sobre todo, que el sistema de combustible no tenga fugas y que los dispositivos de seguridad funcionen correctamente. No continúe utilizando su máquina si está dañada. En caso de duda, consulte a su distribuidor o centro de servicio autorizado.

- El silenciador y otras partes del motor (caja de cambios, aletas del cilindro, bujía) se calientan durante el funcionamiento y permanecen calientes durante un tiempo después de parar el motor. Para reducir el riesgo de quemaduras, no toque el silenciador ni otras partes mientras estén calientes. Mantenga limpia la zona alrededor del silenciador.
- Antes de dejar la máquina sin vigilancia: Apague el motor.



## Después de terminar su trabajo

- Apague el motor al terminar el trabajo.
- Después de que el motor se enfríe, limpie el agua con un paño seco, siempre limpie el polvo y la suciedad de la máquina. No utilice disolventes de grasa para este fin.
- No utilice un limpiador a presión para limpiar el motor de gasolina. El chorro de agua a alta presión puede dañar partes de la máquina.

## Montaje

Este modelo viene montado de fábrica.

Esta máquina sale de nuestra fábrica sin aceite de motor. Debe ser revisada adecuadamente con combustible y aceite antes de su funcionamiento. Si tiene alguna pregunta sobre el motor de gasolina, póngase en contacto con el distribuidor local autorizado o con el centro de servicio.

Se requiere un EPI adecuado cuando se desembala la caja.

## Aceite de motor

### AVISO

Los motores de gasolina nuevos no tienen aceite en el cárter cuando salen de fábrica.

No intente arrancar el motor antes de que se haya llenado correctamente con el tipo y la cantidad de aceite de motor recomendados; de lo contrario, el motor de gasolina podría resultar dañado.

Compruebe siempre el nivel de aceite del motor antes de arrancarlo, en una superficie plana.

### AVISO

El aceite de motor es un factor clave para decidir el rendimiento del motor. No aplique aceite de motor con aditivos o aceite de gasolina de 2 tiempos, ya que no tienen suficiente lubricación, lo que puede acortar la vida útil del motor.

El tipo de aceite de motor recomendado es SAE 10W-30, la capacidad del cárter de aceite es de 0,6L.

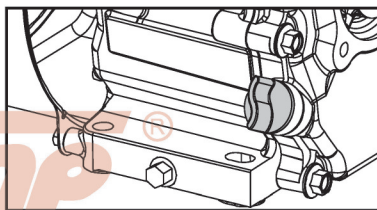
Como la viscosidad varía con las regiones y las temperaturas, el lubricante debe seleccionarse de acuerdo con nuestra recomendación.

### AVISO

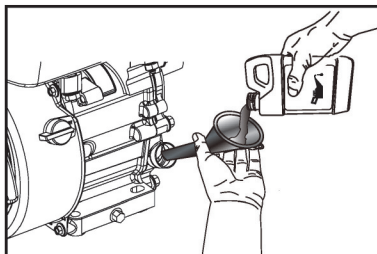
El clima afectará al aceite del motor y a su rendimiento. Póngase en contacto con su concesionario o centro de servicio autorizado para cambiar el tipo de aceite de motor utilizado en función de las condiciones climáticas locales para adaptarse a las necesidades del motor.

## Anadir aceite de motor

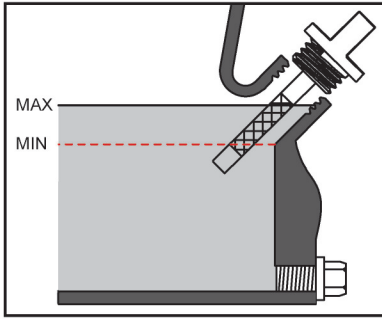
1. Coloque el motor de gasolina en una superficie plana y nivelada. Asegúrese de que el motor está apagado.
2. Coloque el motor de gasolina en una superficie plana y nivelada. Asegúrese de que el motor está apagado.



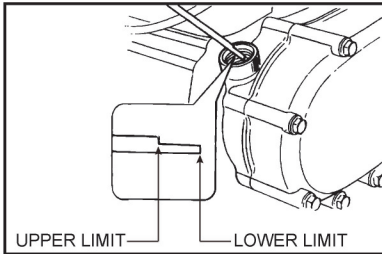
3. Gire la varilla/tapa del indicador de aceite en sentido contrario a las agujas del reloj, retírela y límpiela con un paño limpio.
4. Añada aceite de motor en el cárter a través del orificio de instalación ó n de la varilla/tapa del indicador de aceite (puede ser necesario un embudo de combustible en este caso). No llene en exceso.



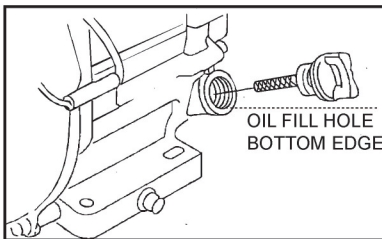
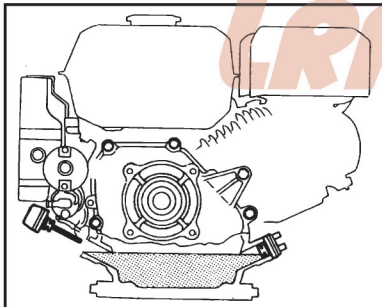
5. Vuelva a introducir la varilla del indicador de aceite sin enroscarla y sáquela para comprobar el nivel de aceite.



6. Si el nivel de aceite está justo en el marcador MIN o por debajo, rellene con aceite SAE 10W-30 a través del orificio de la varilla hasta que el nivel de aceite esté entre el marcador MIN y MAX.



7. Vuelva a instalar la varilla del indicador de aceite y apriétela firmemente girando en el sentido de las agujas del reloj.



**AVISO**  
El funcionamiento con insuficiente aceite de motor puede dañar gravemente el motor.

## Combustible y abastecimiento de combustible

**AVISO**

Los motores de gasolina nuevos no tienen aceite en el cárter cuando salen de fábrica.

No intente arrancar el motor antes de que se haya llenado correctamente con el tipo y la cantidad de aceite de motor recomendados; de lo contrario, el motor de gasolina podría resultar dañado.

Compruebe siempre el nivel de aceite del motor antes de arrancarlo, en una superficie plana.

## Combustible

### ADVERTENCIA

La gasolina es muy inflamable. Evite fumar o acercar cualquier llama o chispa al combustible. Asegúrese de parar el motor y dejar que se enfríe antes de repostar la máquina. Seleccione un terreno descubierto al aire libre para repostar y aléjese al menos 3 m (10 pies) del punto de fumigación antes de poner en marcha el motor.

El tipo de combustible recomendado es la gasolina sin plomo con un octanaje mínimo de 86 y un contenido de etanol inferior al 10% en volumen.

El uso de gasolina sin plomo disminuirá la posibilidad de producir depósitos de carbón y prolongará la vida útil del motor.

Se trata de un motor de 4 tiempos y no requiere una mezcla de gas/aceite. Hay un depósito separado para el gas y otro para el aceite.

### AVISO

No utilice aceite mezclado con gasolina para esta máquina.

- Las emisiones de gases de escape se controlan mediante los parámetros y componentes fundamentales del motor (por ejemplo, la carburación, la sincronización del encendido y la sincronización de los puertos) sin añadir ningún tipo de hardware importante ni introducir un material inerte durante la combustión.
- Si utiliza una gasolina de un octanaje inferior al prescrito, existe el peligro de que la temperatura del motor aumente y, en consecuencia, se produzca un problema en el motor, como el agarrotamiento de los pistones.
- Se recomienda utilizar gasolina sin plomo para reducir la contaminación del aire por el bien de su salud y del medio ambiente.
- La gasolina o el aceite de mala calidad pueden dañar los anillos de sellado, los conductos de combustible o el depósito de combustible del motor.
- Tenga cuidado al manipular la gasolina. Evite el contacto directo con la piel y evite inhalar los vapores del combustible.

### AVISO

No utilice nunca gasolina usada o contaminada ni una mezcla de gasolina y aceite de motor. Asegúrese de que el combustible esté libre de suciedad y agua.



## Gasolina con alcohol

Si decide utilizar una gasolina que contenga alcohol (mezcla de combustibles), asegúrese de que su octanaje sea al menos el recomendado por la compañía. Hay dos tipos de "gasohol". Uno contiene etanol y el otro contiene metanol. No está permitido utilizar gasolina que contenga más de un 10% de etanol ni un 5% de metanol. Si el contenido de metanol en la mezcla de combustible supera el 5%, puede tener un efecto negativo en el rendimiento del motor, además de dañar los metales, el caucho y las piezas de plástico.

### AVISO

- Manipule el combustible con cuidado porque puede dañar las superficies de plástico y pintadas.
- Es normal que se oiga ocasionalmente un ligero golpe de chispa o un piquete con el motor en marcha bajo una carga pesada.
- Si escucha el golpeteo de la chispa o el piquete a una velocidad constante bajo carga normal, cambie de marca de gasolina; si dicho fenómeno sigue ocurriendo, consulte a su distribuidor para obtener ayuda, de lo contrario, el motor puede resultar dañado.

## Depósito de combustible

Retire el tapón del depósito y compruebe el nivel de combustible.

Si el nivel de combustible es demasiado bajo, reposte el depósito. Recuerde que la adición de combustible no sobre el hombro del filtro de combustible.

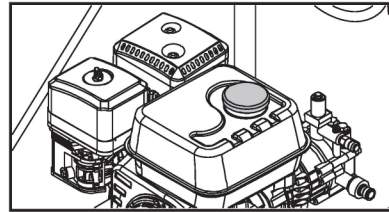
### ADVERTENCIA

La gasolina es extremadamente inflamable y es explosiva en determinadas condiciones. Repostar en una zona bien ventilada y con el motor parado. No fume ni permita que se produzcan llamas o chispas en la zona donde se almacena la gasolina o donde se reposta el depósito de combustible.

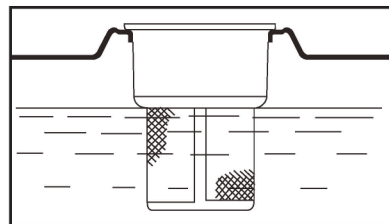
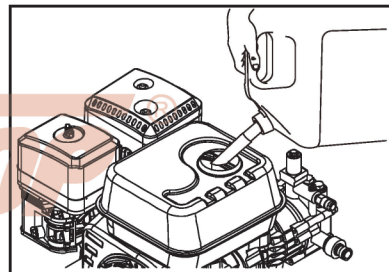
- No llene el depósito en exceso (no debe haber combustible en la boca de llenado). Después de repostar, asegúrese de que el tapón del depósito está bien colocado.
- Tenga cuidado de no derramar combustible al repostar. El combustible derramado o el vapor de combustible pueden inflamarse. Si se derrama combustible, asegúrese de que la zona está suficientemente seca antes de arrancar el motor.
- Evite el contacto repetido o prolongado con la piel o la respiración de los vapores del combustible.
- Mantener fuera del alcance de los niños.

## Repostar

1. Antes de repostar, limpie el tapón de llenado y la zona que lo rodea para asegurarse de que no caiga suciedad en el depósito de combustible.



2. Gire el tapón de combustible en sentido contrario a las agujas del reloj, afloje un poco el tapón de combustible con cuidado para que la presión que se haya acumulado en el depósito de combustible se libere lentamente. No retire nunca el tapón de combustible con el motor en marcha!
3. Utilice combustible sin plomo, limpio y fresco, con un octanaje mínimo de 87 y un contenido de etanol inferior al 10% en volumen.
4. Añada lentamente combustible al depósito. No llene el depósito en exceso. El combustible puede salirse del depósito como resultado de la expansión si se llena en exceso, y puede afectar a la condición de funcionamiento estable de la máquina. Al llenar el depósito, se recomienda dejar espacio suficiente para que el combustible se expanda. No olvide añadir combustible sin sobrepasar el hombro del filtro de combustible.



5. Apriete bien el tapón de combustible en el sentido de las agujas del reloj después de repostar.
6. Limpie el combustible derramado.

## Lubricación de la caja de cambios

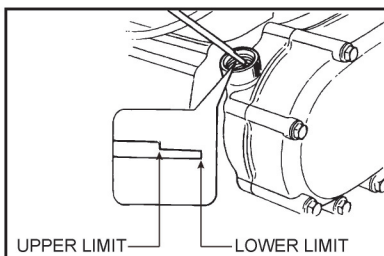
### información

Esta sesión es sólo para el modelo equipado con caja de cambios de 1/2 reducción con un embrague auto-centrífugo.

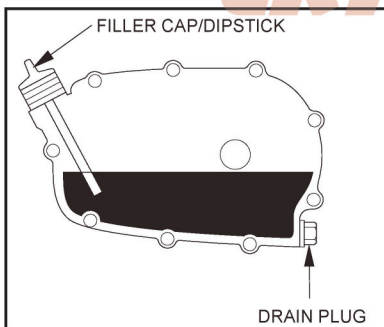
El aceite de la caja de engranajes de reducción es el mismo que el del motor utilizado para esta máquina.

1. Coloque el motor de gasolina en una superficie plana y nivelada. Asegúrese de que el motor está apagado.

2. Limpie la varilla/tapa del indicador de aceite y la zona que la rodea para asegurarse de que no caiga suciedad en el reductor.
3. Gire la varilla/tapa del indicador de aceite en sentido contrario a las agujas del reloj, retírela y límpiela con un paño limpio.
4. Añada aceite de motor en la caja de cambios a través del orificio de instalación de la varilla/tapa del indicador de aceite (puede ser necesario un embudo de combustible en este caso). No llene en exceso.
5. Vuelva a introducir la varilla del indicador de aceite sin enroscarla y sáquela para comprobar el nivel de aceite.
6. Si el nivel de aceite está justo por debajo de la marca de nivel superior, rellene el aceite del motor a través del orificio de la varilla de medición hasta que el nivel de aceite alcance la marca de nivel superior.



7. Vuelva a instalar la varilla del indicador de aceite y apriétela firmemente girando en el sentido de las agujas del reloj.

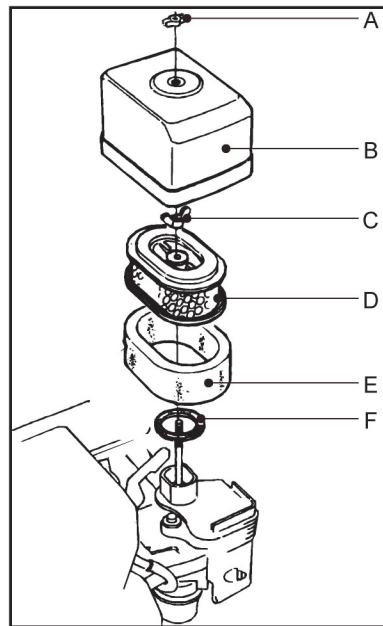


## Filtro de aire

### **i** información

Esta máquina está equipada con un filtro de aire de doble núcleo. El filtro de aire debe ser revisado y limpiado periódicamente de acuerdo con el programa de mantenimiento. El método de limpieza puede variar según el tipo de filtro de aire equipado en la máquina.

Desmonte la carcasa del filtro de aire y compruebe su elemento filtrante, asegúrese de que está limpio e intacto, de lo contrario límpielo o sustitúyalo.



### **!** AVISO

Nunca haga funcionar el motor sin un filtro de aire, de lo contrario puede producirse un grave desgaste del motor.

## Preparación

### **!** AVISO

Compruebe siempre el nivel de aceite del motor antes de poner en marcha la máquina. Si no lo hace, el motor podría agarrotarse si el aceite está bajo o vacío.

## Lista de comprobación previa a la operación

Siga la siguiente lista de comprobación previa a la utilización de la máquina antes de empezar a utilizarla:

1. Compruebe la ubicación del motor de gasolina.

### **!** AVISO

Este motor de gasolina debe tener un espacio libre de al menos 1,5 m (5 pies) con respecto a materiales combustibles. Deje al menos 90 cm (3 pies) de espacio libre en todos los lados del motor de gasolina para permitir una adecuada refrigeración, mantenimiento y revisión. Coloque el motor de gasolina en una zona bien ventilada. No coloque el motor de gasolina cerca de rejillas de ventilación o tomas de aire en las que los gases de escape puedan ser arrastrados a espacios ocupados o confinados. Tenga en cuenta el viento y las corrientes de aire cuando coloque el motor de gasolina.

2. Compruebe el nivel de aceite del motor para asegurarse de que se encuentra en la posición adecuada.

- Añada combustible y compruebe el nivel de combustible para asegurarse de que hay suficiente gasolina en el depósito.
- Compruebe que no hay fugas de aceite o combustible.
- Compruebe y observe todas las precauciones de seguridad e instrucciones de este manual antes de poner en marcha la máquina.

## Arrancar y parar el motor



### ADVERTENCIA

Es muy peligroso hacer funcionar un motor de gasolina que esté equipado con piezas rotas o que carezca de alguna pieza. Antes de arrancar el motor, asegúrese de que todas las piezas están instaladas correctamente.



### ADVERTENCIA

Para reducir el riesgo de lesiones graves o incluso mortales:

- No permita que los niños u otras personas no autorizadas intenten poner en marcha o utilizar la máquina.
- Nunca permita el acceso de niños o personas no autorizadas a la máquina.
- No deje nunca la máquina desatendida mientras trabaja o durante las pausas de trabajo
- Después del trabajo, guarde la máquina en un lugar seguro, fuera del alcance de los niños y otras personas no autorizadas
- Respete las precauciones e instrucciones de seguridad.



### ADVERTENCIA

Al arrancar el motor, asegúrese de que su cuerpo no entre en contacto con el silenciador. Un silenciador caliente puede causar graves quemaduras.

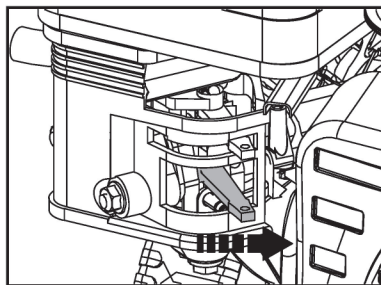
## Arrancar el motor



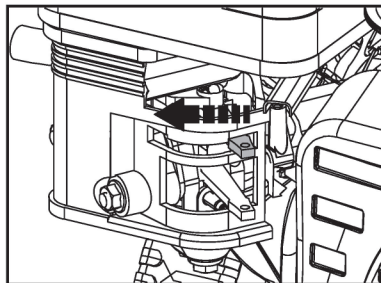
### ADVERTENCIA

Nunca ponga en marcha o detenga el motor de gasolina a menos que el suministro de agua esté abierto.

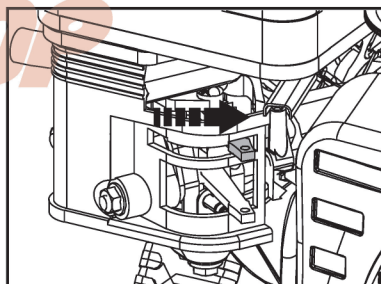
- Termine los procedimientos descritos en la sección de *Preparación*, asegúrese de que su máquina está lista para arrancar el motor.
- Coloque la máquina sobre un suelo plano y firme en una zona despejada.
- Mueva la válvula de combustible hacia la derecha a la posición "ON".



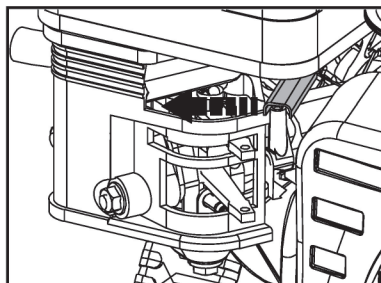
- Si el motor está Frío, mueva la palanca del estrangulador hacia la izquierda hasta la posición "CLOSE".



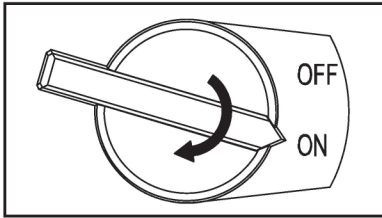
- Si el motor está caliente, mueva la palanca del estrangulador hacia la derecha a la posición "OPEN".



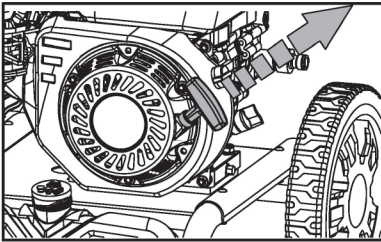
- Mueva la palanca del acelerador hacia la izquierda hasta su posición máxima.



- Ponga el interruptor del motor en la posición "ON".



8. Agarre bien la manija de la cuerda de arranque, tire lentamente hasta sentir resistencia, luego tire rápidamente hasta arrancar el motor (o 5 tirones como máximo).

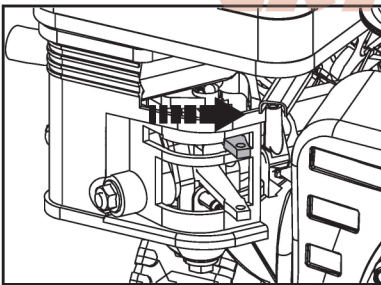


### ! AVISO

No tire de la cuerda de arranque hasta el final, ya que podría romperse.

No deje que la cuerda de arranque vuelva por sí sola. Guíelo lentamente hacia la carcasa, para que la cuerda de arranque pueda rebobinarse correctamente.

9. Después de que el motor se encienda (o 5 tirones), mueva la palanca del estrangulador hacia la derecha a la posición "ABIERTO".



10. Reinicie el motor si es necesario, y deje que la máquina se caliente a velocidad de ralentí.

### ! AVISO

Si el motor no arranca con la palanca del estrangulador en posición "ABIERTA" después de 5 tirones, repita los pasos 3 ~ 10.

### ! NOTICE

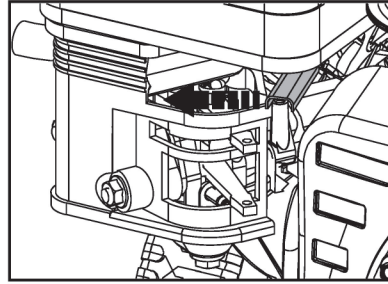
Cuando vuelva a arrancar el motor inmediatamente después de haberlo parado, deje la palanca del estrangulador en posición "OPEN".

## Parar el motor

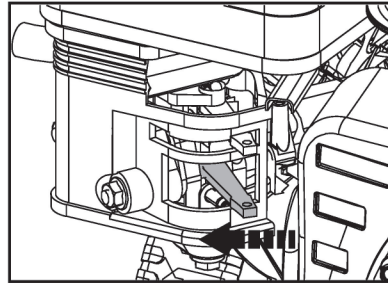
### ! ADVERTENCIA

En caso de emergencia, gire el interruptor del motor a la posición "OFF" para detener el motor.

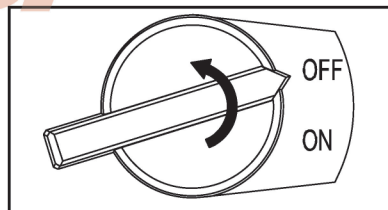
1. Mueva la palanca del acelerador hacia la izquierda hasta su posición máxima.



2. Mueva la válvula de combustible hacia la izquierda a la posición "OFF".



3. Deje que el motor funcione hasta que la falta de combustible detenido el motor. Esto suele tardar unos minutos.
4. Ponga el interruptor del motor en la posición "OFF".



5. Apriete y mantenga apretado el gatillo de pulverización hasta que el agua sólo gotee de la boquilla de pulverización y el sistema esté despresurizado.
6. Cierre el suministro de agua y desenchufe todas las mangueras.

### ! ADVERTENCIA

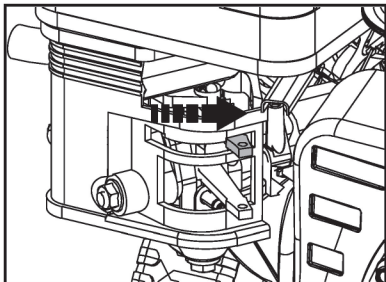
Asegúrese siempre de que la válvula de combustible y el interruptor del motor están en la posición "OFF" cuando el motor no está en uso.

### ! ADVERTENCIA

Si el motor no se detiene cuando el interruptor de parada del motor se mueve a la posición "STOP", mueva la palanca de control del estrangulador a la posición "CLOSE" para detener el motor. Pida a su concesionario o centro de servicio autorizado que repare el interruptor de parada del motor antes de volver a utilizar la máquina.

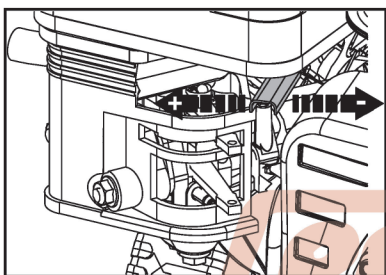
## Operación

Después de arrancar un motor frío, precaliente el motor y mueva la palanca del estrangulador hacia la derecha a la posición "OPEN".



## Ajustar la velocidad del motor

Coloque la palanca del acelerador en la posición adecuada para que el motor funcione a la velocidad requerida.



Moviendo la palanca del acelerador hacia la izquierda (dirección rápida) aumentará la velocidad del motor.

Si se mueve la palanca del acelerador hacia la derecha (dirección lenta), el régimen del motor disminuirá.

### **i** información

Cuando se mueve el acelerador del motor al mínimo (más a la derecha), la potencia de salida del motor es baja.

Por favor, no opere la máquina, si no, la máquina será parada de la llama debido a la baja potencia de salida del motor.

## Alarma de aceite del motor

### **i** información

Si el motor está caliente, no es necesario cerrar el estrangulador.

Esta máquina está equipada con una alarma de aceite del motor que está diseñada para avisar al usuario de que el aceite del motor en el cárter es insuficiente. El funcionamiento con aceite de motor insuficiente puede dañar el motor. Una vez que el nivel de aceite en el cárter es demasiado bajo, la alarma de aceite del motor parará el motor automáticamente para que no se dañe mientras el interruptor del motor sigue en "ON".

### **!** AVISO

Si el motor sigue sin funcionar, compruebe primero el nivel de aceite del motor antes de pasar a otras comprobaciones.

## Funcionamiento a gran altura

Sólo bajo estas condiciones de funcionamiento estándar, esta máquina puede enchufar cargas eléctricas con la potencia nominal; de lo contrario, puede reducir el rendimiento de refrigeración del motor, por lo que es necesario reducir la cantidad de potencia nominal de las cargas eléctricas.

La densidad del aire a gran altura es menor que a nivel del mar. La potencia del motor se reduce al disminuir la masa de aire y la relación aire-combustible. La potencia del motor se reducirá aproximadamente un 3,5% por cada 1000 pies de elevación sobre el nivel del mar, incluso si se utiliza el chorro principal adecuado. Esta es una tendencia natural y no se puede cambiar ajustando el motor. A grandes alturas también pueden producirse mayores emisiones de escape debido al mayor enriquecimiento de la relación aire-combustible. Otros problemas a gran altitud pueden ser la dificultad de arranque, el aumento del consumo de combustible y el ensuciamiento de las bujías.

A grandes alturas, la relación de mezcla estándar es relativamente demasiado grande, por lo que el rendimiento del motor puede verse afectado y el consumo de combustible puede aumentar. Este problema puede resolverse sustituyendo el chorro principal del carburador por uno más pequeño y ajustando el tornillo de ralenti. Si se utiliza siempre en tierras altas con una altura sobre el nivel del mar de 1830 metros, pida a su distribuidor que haga el trabajo.

### **!** AVISO

El motor equipado con el chorro principal aplicable a las tierras altas puede resultar seriamente dañado en la zona de altitud inferior a la especificada, porque su relación de mezcla es demasiado fina, el rendimiento disminuye y el motor se sobrecalienta para el funcionamiento en la zona de baja altitud. En este caso, pida a su distribuidor que recupere el motor a su estado técnico normal.

## Sistema de control de los gases de escape

Con el motor en marcha, se producirá monóxido de carbono, óxido de nitrógeno e hidrocarburo, y en determinadas condiciones, el óxido de nitrógeno y el hidrocarburo reaccionarán químicamente entre sí para producir humo, mientras que el monóxido de carbono es tóxico, por lo que el control de los gases de escape es muy importante. La empresa disminuye las emisiones de escape introduciendo carburadores de combustible pobre y otros dispositivos en el motor para resolver el problema.

Para mantener los gases de escape de su motor dentro de los valores estándar de emisión de gases, preste atención a lo siguiente:

## Mantenimiento

Mantenga el motor periódicamente de acuerdo con el programa de mantenimiento del manual. El programa de mantenimiento se ha elaborado sobre la base de un uso normal en condiciones normales, si se utiliza bajo una carga pesada, en circunstancias de polvo o humedad o a altas temperaturas, será necesario un mantenimiento más frecuente.

## Sustitución de piezas

Le recomendamos que elija como recambio piezas fabricadas por nuestra empresa o de calidad equivalente. Las piezas de repuesto que no sean de tan alta calidad pueden perjudicar la eficacia del sistema de control de escape.

## Modificación

### Modificación de

La modificación del sistema de control de los gases de escape puede hacer que las emisiones reales de gases de escape superen los valores límites legales.

La modificación ilegal es la siguiente:

- Desmontar o modificar cualquier parte del sistema de entrada o salida de aire.
- Modificar o quitar el dispositivo de conexión de ajuste de velocidad o el dispositivo de ajuste de velocidad para que el motor funcione fuera de los parámetros establecidos.

### Problemas que afectan a las emisiones de gases de escape

- Dificultad para arrancar o parar.
- Ralentí inestable.
- Emitir humo negro o consumir demasiado combustible.
- Chispas de encendido pobres o chispas devueltas.
- El encendido está demasiado avanzado.

Si encuentra alguno de estos problemas, póngase en contacto con su distribuidor autorizado para obtener ayuda.



## Mantenimiento y cuidado

### Calendario de mantenimiento

Sistema / Componente		Procedimiento de mantenimiento		Antes de empezar a trabajar	Diariamente y/o al final del trabajo	Primer mes o 20 horas	Cada temporada o 50 horas	Cada 6 meses o 100 horas	Cada año o 300 horas	si hay un fallo	Si hay un daño	Según se requiera
		Inspección visual (estado, fuga)	Limpia	√	√							
Máquina completa	Inspección visual (estado, fuga)			√								
	Limpia				√							√
Interruptor del motor, palanca del acelerador, palanca del combustible, palanca del estrangulador	Prueba de funcionamiento			√			√					
Aceite de motor	Comprobación del nivel de aceite			√								
	Sustituir				√							
Aceite para engranajes de reducción	Comprobación del nivel de aceite			√								
	Sustituir				√			√				
Filtro de aire	Inspeccionar					√	√					
	Limpia						√	√				
	Sustituir								√			√
Taza de depósito	Limpia						√					
Juego de válvulas	Inspeccionar							√				
	Ajustar							√				
Filtro de combustible	Inspeccionar						√					
	Limpia							√				√
Depósito de combustible	Limpia							√				√
Línea de suministro de combustible	Limpia											Cada dos años (sustituir si es necesario)
Cuerda de arranque de bobina	Inspeccionar			√								
	Limpia				√							
Sistema de refrigeración	Inspeccionar			√								
	Limpia				√							
Bujía	Inspeccionar							√				
	Limpia							√				
	Ajustar							√				
	Sustituir										√	√
Parachispas	Limpia						√					
Ocioso	Consulte								√			
	Ajustar								√			
Elementos de fijación, incluidos pernos, tornillos y tuercas	Inspeccionar			√								
	Apretar											√

	Sustituir								√	
<b>Etiqueta de información de seguridad</b>	Sustituir								√	

### **⚠ ADVERTENCIA**

Las piezas móviles pueden amputar los dedos o causar lesiones graves. Mantenga las manos, la ropa y los objetos sueltos alejados de todos los accesorios móviles.

Detenga siempre el motor, desconecte la bujía y asegúrese de que todas las piezas móviles se han detenido por completo antes de realizar cualquier inspección o mantenimiento.

Deje que la máquina se enfríe antes de realizar el servicio de mantenimiento. Utilice guantes para proteger las manos de los bordes afilados y las superficies calientes.

Antes de limpiar, inspeccionar o reparar la máquina, asegúrese de que el motor se ha parado y enfriado. Desconecte la bujía para evitar un arranque accidental.

### **⚠ AVISO**

Utilice sólo piezas fabricadas por la empresa o equivalentes en calidad; de lo contrario, pueden producirse daños en el motor.

### **⚠ AVISO**

Las instrucciones de mantenimiento descritas en esta sección son sólo para carburadores de doble núcleo de ventilación interior y sólo para filtros de aire de núcleo de papel.

Si el motor se utiliza en circunstancias polvorrientas, debe considerarse una frecuencia mayor.

Los elementos de mantenimiento deben ser realizados por su distribuidor autorizado, a menos que usted esté especialmente capacitado y esté bien equipado con herramientas.

### **⚠ ADVERTENCIA**

Detenga el motor antes de realizar el mantenimiento. Si es necesario realizar el mantenimiento con el motor en marcha, asegúrese de mantener una buena ventilación en la zona. Los gases de escape del motor contienen monóxido de carbono tóxico, cuya inhalación puede dañar al personal e incluso causar la muerte.

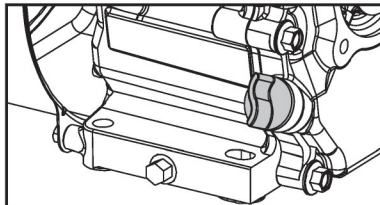
## **Cambiar el aceite del motor**

### **⚠ AVISO**

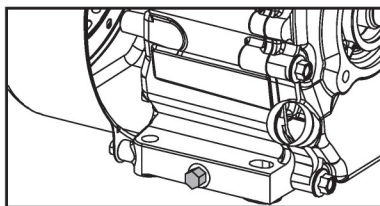
Cambie el aceite del motor cuando el motor esté caliente. Un motor todavía caliente es útil para drenar el aceite del motor en el cárter de forma rápida y completa.

1. Coloque su máquina en la posición adecuada sobre un suelo duro y plano, de manera que el motor de gasolina se encuentre a nivel.
2. Apagar el motor
3. Coloque una bandeja de aceite debajo del puerto de drenaje de aceite.

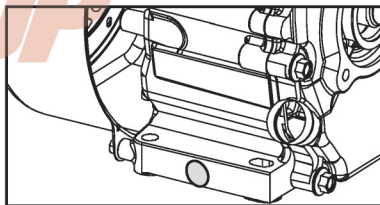
4. Limpie la varilla/tapa del indicador de aceite y la zona que la rodea para asegurarse de que no caiga suciedad en el cárter.



5. Gire la varilla/tapa del indicador de aceite en sentido contrario a las agujas del reloj, retírela y límpiela con un paño limpio.

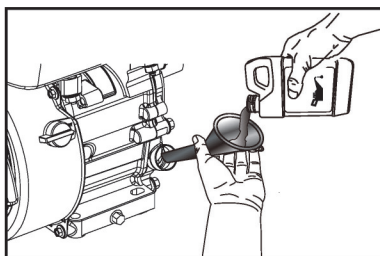


6. Retire el tapón de drenaje de cabeza hexagonal, deje que el aceite se drene completamente.



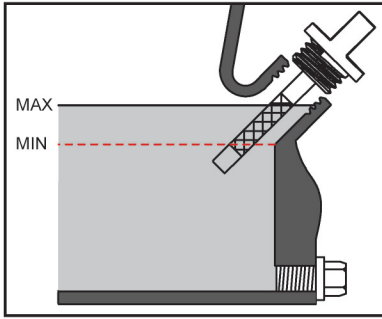
7. Vuelva a instalar el tapón de drenaje de cabeza hexagonal y apriételo bien.

8. Añada aceite de motor en el cárter a través del orificio de instalación ó n de la varilla/tapa del indicador de aceite (puede ser necesario un embudo de combustible en este caso). No llene en exceso.

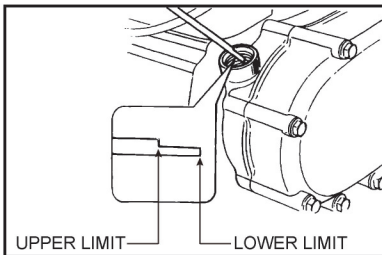


9. Vuelva a introducir la varilla del indicador de aceite y tire de ella para comprobar el nivel de aceite.

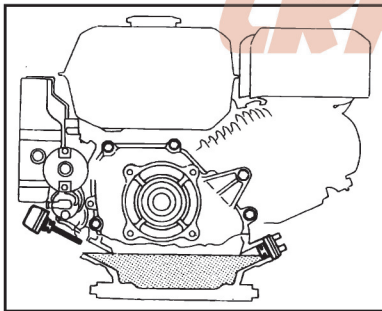




10. Si el nivel de aceite está justo en el marcador MIN o por debajo, rellene con aceite SAE 10W-30 a través del orificio de la varilla hasta que el nivel de aceite esté entre el marcador de límite superior y el de límite inferior.



11. Vuelva a colocar la varilla del indicador de aceite y apriétela girando en el sentido de las agujas del reloj.



**AVISO**  
 No tire los contenedores de aceite o el aceite de motor desechado en los contenedores de basura o en el suelo. Para proteger el medio ambiente, le sugerimos que recoja el aceite de motor desechado en un contenedor cerrado y lo lleve a la estación de reciclaje local.

## Filtro de aire

Esta máquina está equipada con un filtro de aire de doble núcleo.

Un filtro de aire sucio puede bloquear el flujo de aire suficiente hacia el carburador. Para mantener el carburador en buenas condiciones de funcionamiento, por favor revise el filtro de aire periódicamente. Si el motor funciona en una zona extremadamente polvorienta, el trabajo debe hacerse más a menudo.

## AVISO

El filtro de aire debe ser revisado después de un almacenamiento prolongado, los siguientes pasos deben ser realizados al revisar el filtro de aire. Se recomienda sustituir el filtro de aire una vez cada primavera.

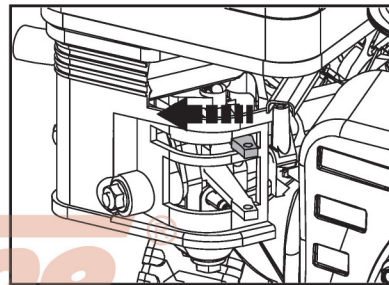
## ADVERTENCIA

Nunca limpie el núcleo del filtro de aire en gasolina o detergentes de bajo punto de inflamación, ya que de lo contrario podría producirse una explosión.

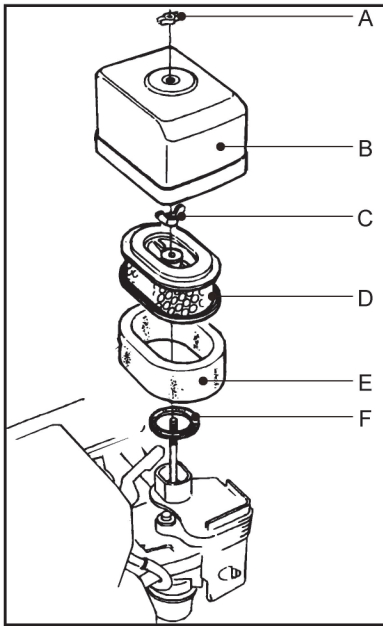
## AVISO

Nunca limpie el núcleo del filtro de aire en gasolina o detergentes de bajo punto de inflamación, ya que de lo contrario podría producirse una explosión.

1. Mueva la palanca del estrangulador hacia la izquierda a la posición "CLOSE". Esto evita que la suciedad entre en la garganta del carburador cuando se retira el filtro de aire.

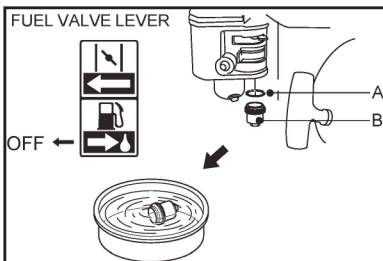


2. Cepille la suciedad acumulada en la zona del filtro de aire.
3. Desenrosque la tuerca de mariposa (A), desmonte la carcasa del filtro de aire (B). Compruebe si los dos núcleos (D,E) están dañados. Si hay alguno, sustitúyalo por uno nuevo.
4. Elemento filtrante de papel (D): golpee el núcleo contra un plano sólido para deshacerse del polvo acumulado o sople el polvo desde dentro hacia fuera con un flujo de aire de alta presión (no más de 30 psi). Nunca limpie con un cepillo, ya que el cepillado puede forzar el polvo en la fibra del núcleo. Si el núcleo está muy sucio, sustitúyalo por uno nuevo.
5. Elemento filtrante de espuma (E): límpielo con detergentes caseros y agua caliente (o disolventes de limpieza no inflamables de alto punto de inflamación) y séquelo, luego sumérgalo en aceite de motor limpio hasta que esté saturado. Exprima el exceso de aceite, de lo contrario, el motor descargará humo en la etapa de arranque.



### Taza de depósito de lavado

1. Coloque el interruptor de combustible en la posición "OFF".
2. Retire la copa de depósito y la junta teórica (A).
3. Lávelos con disolventes de limpieza no inflamables o de alto punto de inflamación.
4. Sécalos completamente.
5. Vuelva a instalarlos en la secuencia inversa.
6. Coloque el interruptor de combustible en la posición "ON".
7. Después de reinstalar la copa de depósito (B), compruebe que no haya fugas y asegúrese de que la zona alrededor del motor esté lo suficientemente seca.

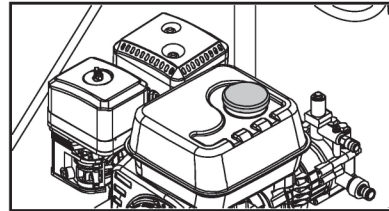


**⚠ ADVERTENCIA**  
La gasolina es extremadamente inflamable y explosiva en determinadas condiciones. Mantenga alejados los cigarrillos, las chispas y las llamas abiertas.

### Filtro de combustible

**⚠ PELIGRO**  
El combustible es muy inflamable. Tenga mucho cuidado al mezclarlo, almacenarlo o manipularlo, o puede provocar graves daños personales.

1. Utilice un trapo limpio para eliminar la suciedad suelta alrededor del tapón de combustible y vacíe el depósito de combustible.
2. Utilice un gancho para la línea de combustible para sacar la línea de combustible y el filtro del tanque.
3. Retire el filtro de combustible usado de la línea y sustitúyalo por un filtro de combustible nuevo.
4. Instale el nuevo filtro de combustible.



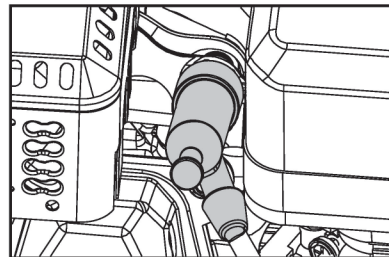
### Bujía

Los fallos de arranque y los fallos de encendido suelen estar causados por una bujía obstruida. Limpie la bujía y compruebe que la holgura de la bujía está en el rango correcto. Una holgura adecuada de la bujía garantiza el funcionamiento normal del motor si no hay depósitos alrededor de la bujía.

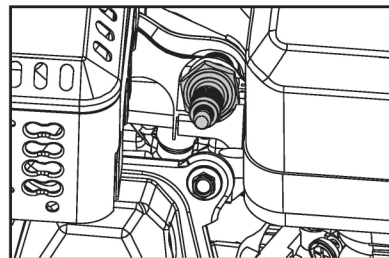
Si se trata de un enchufe de sustitución, utilice el tipo correcto.

**⚠ ADVERTENCIA**  
No toque el silenciador, la bujía u otras partes metálicas del motor mientras el motor esté en marcha o se apague inmediatamente, de lo contrario se producirán quemaduras.

1. Desconecte el cable de la bujía tirando de él.

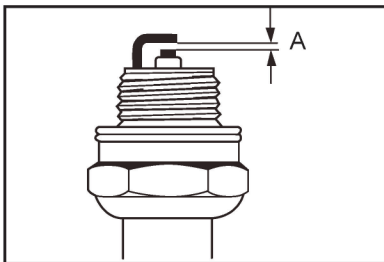


2. Con la llave de bujías, retire la bujía girando en sentido contrario a las agujas del reloj.



3. Compruebe el estado de la bujía para ver si está sucia, desgastada y con el electrodo central redondeado.

- Compruebe si hay acumulación de sedimentos de carbono, si es así, elimínelos. Si el sedimento de carbón es excesivo, sustituya la bujía.
- Limpié el enchufe con un cepillo suave de latón. Si el aislante está dañado, sustitúyalo por uno nuevo. No lo limpie con un chorro de arena. Los restos de arena dañarán el motor.
- Mida la holgura de los electrodos con una galga de espesores. La holgura de los electrodos de la bujía (A) debe ser de 0,7~0,8 mm. Si la holgura es superior a 0,8 mm, sustituya la bujía.



- De acuerdo con las especificaciones técnicas, ajuste la separación de la bujía doblando el electrodo exterior. Sustituya la bujía por una nueva cuando sea necesario.
- Atornille primero la bujía en la parte inferior con la mano y luego apriétela con una llave de bujías. Si se utiliza una bujía nueva, gire 1/2 vueltas más después de impactar la junta; si se reinstala la original, sólo gire 1/8~1/4 vueltas más.
- Compruebe si la junta de la bujía está en buenas condiciones, o sustitúyala por una nueva.
- Vuelva a conectar el cable a la bujía.

### ⚠ AVISO

El uso de cualquier bujía que no sea la designada en este manual puede hacer que el motor no funcione correctamente o que se sobrecaliente y se dañe.

### ⚠ AVISO

La bujía debe estar bien apretada, de lo contrario puede calentarse mucho y dañar el motor.

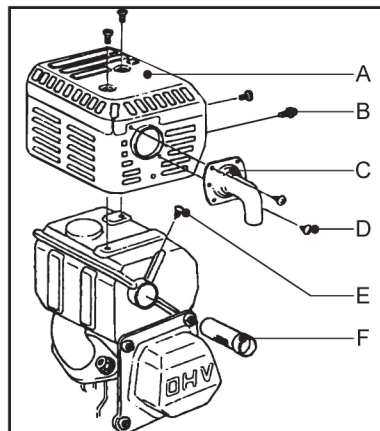
## Parachispas (pieza opcional)

El parachispas debe ser revisado al menos una vez cada 100 horas de funcionamiento para mantenerlo en buen estado.

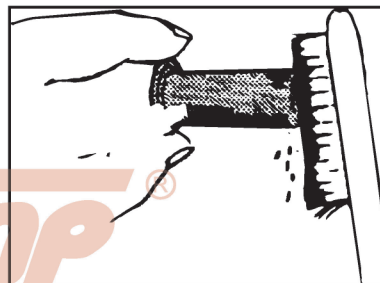
### ⚠ ADVERTENCIA

El silenciador está muy caliente durante el funcionamiento del motor e incluso mucho tiempo después de la parada. No lo toque nunca, o puede sufrir quemaduras. Realice el mantenimiento después de que el motor se enfríe.

Desenrosque dos tornillos M4 (D), y retire el codo de escape del cuerpo del motor.



- Quite los cuatro tornillos M5 (A) de la protección del silenciador y saque este último.
- Desenrosque el tornillo M4 (E) del parachispas (F) y sepárelo del silenciador.
- Elimine los depósitos de carbón de la malla del parachispas (F) con un cepillo.



- Vuelva a instalar el parachispas (F) en el orden inverso al de su retirada.

### ⚠ ADVERTENCIA

Tenga cuidado de no dañar la malla del parachispas. No utilice nunca un parachispas dañado.

## Ajuste del carburador

El carburador ha sido ajustado en fábrica con una configuración estándar.

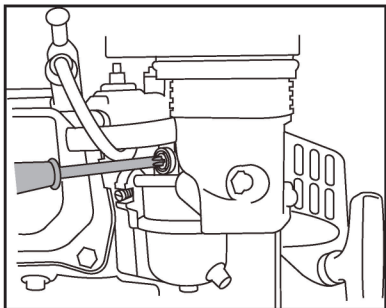
Este ajuste proporciona una mezcla óptima de combustible y aire en la mayoría de las condiciones de funcionamiento.

### ⚠ AVISO

Los ajustes del carburador, aparte del ralenti, deben ser realizados por un concesionario o centro de servicio autorizado.

- Apaga el motor.
- Compruebe el filtro de aire, límpielo o sustitúyalo si es necesario.
- Compruebe el parachispas del silenciador, límpielo o sustitúyalo si es necesario.
- Arrancar y precalentar el motor hasta llegar a su temperatura normal de trabajo.

- Obtenga el ralentí estándar ajustando el tornillo de fijación del acelerador bajo el motor funciona a baja velocidad. Ralentí estándar: 1700 ± 15rpm.



## Limpiar el motor de gasolina

### NOTICE

No rocíe el motor de gasolina con agua. El agua puede contaminar el sistema de combustible y puede entrar en el motor a través de las ranuras de refrigeración y dañar el motor.

- Utilice un paño húmedo para limpiar las superficies exteriores del motor de gasolina.
- Utilice un cepillo de cerdas suaves para eliminar la suciedad y el aceite.
- Utilice un compresor de aire (25 PSI) para limpiar la suciedad y los residuos del motor de gasolina.
- Inspeccione todas las rejillas de ventilación y las ranuras de refrigeración para asegurarse de que están limpias y sin obstrucciones.

## Reparar

Los usuarios de esta máquina sólo deben realizar los trabajos de mantenimiento y servicio descritos en este manual de instrucciones. CRAFTOP recomienda que el resto de los trabajos de reparación sean realizados por un distribuidor y centro de servicio autorizados, utilizando piezas de repuesto originales de CRAFTOP.

## Almacenamiento

### PELIGRO

No almacene la máquina en un lugar donde puedan acumularse humos de combustible o llegar a una llama o chispa abierta, de lo contrario pueden producirse graves lesiones personales.

### ADVERTENCIA

El silenciador y las cubiertas circundantes se calientan durante el funcionamiento. Mantenga siempre la zona de escape libre de residuos inflamables durante el transporte o el almacenamiento, de lo contrario pueden producirse graves daños materiales o personales.

### AVISO

No almacene su máquina durante periodos de tiempo de 30 días o más sin realizar un mantenimiento de almacenamiento de protección que incluya el siguiente procedimiento:

## Almacenamiento del motor de gasolina

- Deje que el motor de gasolina se enfríe completamente antes de guardarlo.
- Cierre el suministro de combustible en la válvula de combustible.
- Limpié el motor de gasolina según las instrucciones descritas en este manual.
- Guarde la máquina en un lugar limpio y seco, lejos de la luz solar directa.

## Motor almacenado durante 1 ~ 2 meses

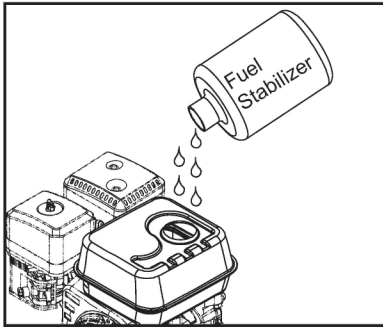
- Deje que el motor se enfríe completamente antes de guardarlo.
- Limpié el motor según las instrucciones descritas en este manual.
- Vacíe el combustible del depósito y reposte con combustible nuevo.
- Para prolongar la vida útil del combustible, añada al depósito un estabilizador de combustible debidamente formulado.
- Asegúrese de que la válvula de combustible esté en la posición "OFF".

## Motor almacenado durante 2 meses ~ 1 año

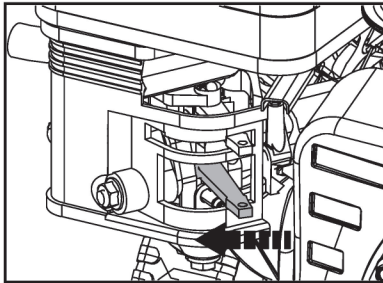
- Deje que el motor se enfríe completamente antes de guardarlo.
- Limpié el motor según las instrucciones descritas en este manual.
- Vacíe el combustible del depósito.
- Desenrosque el tapón de drenaje y drene el combustible en el carburador.
- Apague el interruptor del motor en primer lugar, desconecte la taza de depósito y vacíela.
- Repostar el tanque de combustible con combustible fresco.
- Para prolongar la vida útil del combustible, añada al depósito un estabilizador de combustible debidamente formulado.
- Asegúrese de que la válvula de combustible esté en la posición "OFF".

## Motor almacenado durante más de 1 año

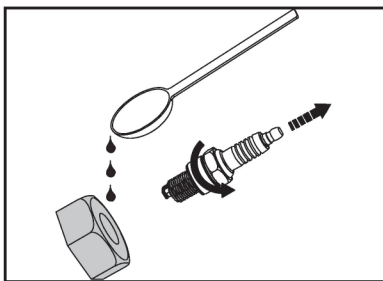
- Vacíe el combustible del depósito.
- Desenrosque el tapón de drenaje y drene el combustible en el carburador.
- Apague el interruptor del motor en primer lugar, desconecte la taza de depósito y vacíela.
- Repostar con combustible fresco.
- Añada al depósito un estabilizador de combustible debidamente formulado.



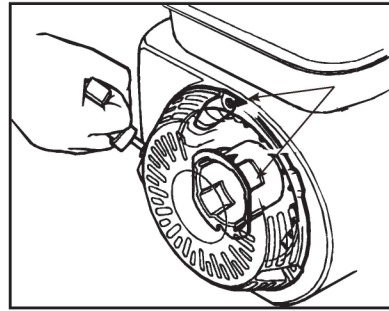
6. Haga funcionar el motor durante unos minutos para que el combustible tratado circule por el sistema de combustible y el carburador.
7. Gire la válvula de combustible a la posición "OFF".



8. Deje que el motor funcione hasta que la falta de combustible haya detenido el motor. Esto suele tardar unos minutos.
9. El motor debe enfriarse completamente antes de limpiarlo y almacenarlo.
10. Limpie el motor de acuerdo con la sección de mantenimiento.
11. Cambiar el aceite del motor.
12. Retire la bujía y vierta aproximadamente 0,5oz. (14,9 ml) de aceite en el cilindro. Haga girar el motor lentamente para distribuir el aceite y lubricar el cilindro.



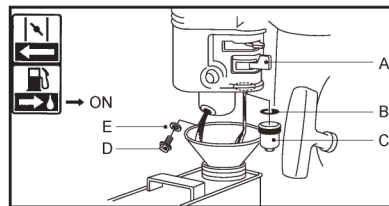
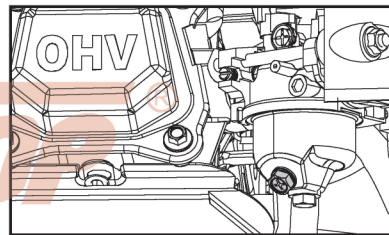
13. Vuelva a colocar la bujía.
14. Tire lentamente de la cuerda de arranque hasta sentir una ligera anti acción, y luego siga tirando para alinear la flecha del manguito de arranque con el orificio del arrancador. En este momento, tanto las válvulas de entrada como las de salida están cerradas para evitar que se oxide el interior del motor.



15. Cubra el motor para mantener el polvo alejado.

Si desea drenar el combustible en lugar de añadir estabilizador de combustible, siga los siguientes pasos:

1. Gire la válvula de combustible (A) a la posición "OFF".
2. Retire el tornillo hexagonal de drenaje (D) y la arandela (E) del carburador.
3. Gire la válvula de combustible (A) a la posición "ON" y drene el combustible del tanque, el carburador y la manguera.
4. Vuelva a colocar el tornillo hexagonal de drenaje del carburador una vez que el combustible esté completamente drenado.



### ⚠ AVISO

Almacene y transporte siempre los motores de gasolina en una posición estable y horizontal. Apoye la caja de engranajes para evitar una flexión excesiva, que puede causar daños a estos componentes.

### Eliminación

Respete todas las normas de eliminaciones de residuos específicas del país y locales.

Los productos CRAFTOP no deben tirarse a la basura. Lleve la máquina, los accesorios y el embalaje a un centro de eliminación de residuos autorizado para un reciclaje respetuoso con el medio ambiente.

Elimine todo el material de embalaje de forma responsable con el medio ambiente.

En aras de la protección del medio ambiente, recomendamos encarecidamente llenar el combustible desechado en un contenedor cerrado y llevarlo a su estación de reciclaje local.

Póngase en contacto con el centro de reciclaje local o con la fábrica para eliminar el aceite de motor usado de forma adecuada.

**! PELIGRO**  
Las bolsas de plástico pueden ser un peligro para los niños pequeños, ¡deséchalas inmediatamente!

Póngase en contacto con su distribuidor o centro de servicio autorizado local para obtener la información más reciente sobre la eliminación de residuos.

## Guía para la resolución de problemas

**! PELIGRO**  
Los vapores del combustible son extremadamente inflamables y pueden provocar un incendio y/o una explosión. No pruebe nunca la chispa de encendido conectando a tierra la bujía cerca del orificio de la bujía del cilindro; de lo contrario, pueden producirse graves lesiones personales.

Problema	Causa	Solución
El motor no arranca (o se para durante el funcionamiento)	<ol style="list-style-type: none"> <li>1. Parada por bajo nivel de aceite</li> <li>2. El interruptor del motor no está en posición "ON".</li> <li>3. Presión acumulada en la manguera</li> </ol>	<ol style="list-style-type: none"> <li>1. Llenar el motor con aceite de motor SAE 10W-30</li> <li>2. Poner el interruptor en "ON".</li> <li>3. Apretar el gatillo al arrancar</li> </ol>
Si el motor suena de forma anormal, podría estar sobrecargado.	<ol style="list-style-type: none"> <li>1. Boquilla parcialmente bloqueada</li> <li>2. Presión excesiva</li> </ol>	<ol style="list-style-type: none"> <li>1. Limpiar la boquilla con la herramienta de limpieza de boquillas o con un clip</li> <li>2. Acortar la bobina del muelle de la válvula de reflujo</li> </ol>
El motor está en marcha pero la bomba no alcanza la presión máxima o tiene una presión irregular	<ol style="list-style-type: none"> <li>1. Grifo cerrado</li> <li>2. La máquina ha sido almacenada a temperaturas de congelación</li> <li>3. Suministro de agua inadecuado</li> <li>4. Pantalla de entrada de agua obstruida</li> <li>5. Doblecres en la manguera de jardín</li> <li>6. Punta de la vara desgastada o dañada</li> <li>7. Aire en la bomba</li> <li>8. La velocidad del motor no está ajustada a la posición máxima</li> </ol>	<ol style="list-style-type: none"> <li>1. Abrir el grifo</li> <li>2. Descongele la unidad por completo, incluyendo la manguera, la pistola y la varilla.</li> <li>3. Proporcionar un mínimo de 4 GPM a 30 PSI</li> <li>4. Limpiar la pantalla</li> <li>5. Enderezar la manguera de jardín</li> <li>6. Sustituir la varilla</li> <li>7. Deje que funcione con la pistola abierta y la varilla retirada hasta que salga un chorro de agua constante</li> <li>8. Poner el acelerador en la posición máxima</li> </ol>
No hay ingesta de productos químicos	<ol style="list-style-type: none"> <li>1. El tubo de inyección no está bien insertado en la unidad</li> <li>2. Tubo agrietado o partido</li> <li>3. Boquilla equivocada</li> <li>4. Boquilla bloqueada</li> </ol>	<ol style="list-style-type: none"> <li>1. Empujar firmemente en el racor del inyector</li> <li>2. Sustituir el tubo</li> <li>3. Cambiar a boquilla de baja presión</li> <li>4. Limpiar la boquilla</li> <li>5. Disolver con agua tibia</li> </ol>

Problema	Causa	Solución
	5. Inyector de productos químicos obstruido	
El gatillo no se mueve	1. Bloqueo de seguridad del arma activado	1. Liberar el bloqueo de seguridad
Agua en el cárter	1. Humedad elevada 2. Juntas desgastadas	1. Cambiar el aceite con más frecuencia 2. Cambiar los retenes de aceite
Funcionamiento ruidoso	1. Rodamientos desgastados 2. Aire mezclado con agua	1. Cambiar el rodamiento 2. Compruebe que las líneas de entrada no tengan restricciones y/o un tamaño adecuado
Altas temperaturas del cárter	1. Grado incorrecto de aceite 2. Cantidad inadecuada de aceite en el cárter	1. Utilice aceite de motor SAE 10W-30 2. Ajustar el nivel de aceite a la cantidad adecuada
Funcionamiento áspero/pulsante con caída de presión	1. Restricción de entrada 2. Aire mezclado con agua	1. Compruebe que el sistema no está obstruido, que no hay fugas de aire, que la entrada está correctamente dimensionada y que las tuberías van a la bomba. 2. Comprobar que las líneas de entrada no tienen restricciones y/o están bien dimensionadas

Dificultad para arrancar el motor		
Problema	Causa	Solución
1. Algo está mal en el sistema de combustible	No hay suficiente combustible en el depósito o el grifo de combustible está cerrado	Llenar de combustible, abrir el grifo de combustible
2. El suministro de combustible está bloqueado o en combustible. ▲ Compresión normal de los cilindros ▲ Chispa normal	El respiradero de la tapa del filtro de combustible está obstruido	Las dragas se ventilan
	El grifo de combustible está obstruido	Limpiar primero y luego dragar
	Chorro principal inadecuado u obstruido	Reajustar o limpiar, soplar para pasar
	La válvula de aguja está mal cerrada o el orificio de arranque está obstruido	Desmontar la válvula de aguja y reparar, limpiar, soplar para pasar
3. Algo está mal en el sistema de combustible ▲ Compresión normal de los cilindros ▲ Chispa normal ▲ El combustible fluye con facilidad y suavidad	El flotador está dañado o se atasca	Reparación del flotador
	El combustible está sucio o deteriorado	Sustituir
	Hay agua en el combustible	Sustituir
	Demasiado combustible en el cilindro del motor	Drenar el combustible extra, secar los electrodos de las bujías
4. La bujía está en mal estado ▲ Compresión normal de los cilindros ▲ Suministro normal de combustible ▲ Chispa normal de la bobina de alta presión	Tipo de combustible incorrecto	Seleccione la marca de combustible adecuada que corresponda a las especificaciones técnicas
	Demasiada suciedad de carbón alrededor de los electrodos	Despejar
	Los electrodos están gravemente dañados por las quemaduras o los aislantes están dañados	Sustituir la bujía
5. No hay chispa de bobina de alta	Separación inadecuada de los electrodos	Ajustar al valor adecuado
	La bobina de alta presión está	Sustituir

Dificultad para arrancar el motor		
Problema	Causa	Solución
presión ▲ Compresión normal de los cilindros ▲ Suministro normal de combustible ▲ Bujía normal	dañada	
	Bobina de encendido dañada	Sustituir
	Magneto pierde el magnetismo	Sustituir
6. Mala compresión de los cilindros ▲ Sistema normal de suministro de combustible ▲ Sistema de encendido normal	El anillo del pistón está tan desgastado que supera su límite de desgaste	Sustituir un juego de anillos de pistón
	El anillo del pistón se atasca	Limpiar las incrustaciones de carbón
	El anillo del pistón está roto	Sustituir
	La bujía no está instalada bien o sin junta	Apriete con una junta
	Fuga de aire entre el bloque de cilindros y el cilindro	Comprobar la junta del cilindro y la planicidad de la superficie de contacto del cilindro con la culata; apretar los tornillos del cilindro con el par de apriete estipulado
	Fuga de aire en la válvula	Comprobar la holgura y la estanqueidad de las válvulas, reparar si es necesario

### ADVERTENCIA

Al probar la bujía, nunca agujeree el cable de alta tensión de la bujía con la mano mojada.

Asegúrese de que no hay combustible derramado fuera del motor y que la bujía no está mojada con combustible.

Para evitar incendios, mantenga las chispas lejos del orificio de montaje de la bujía.

Una vez realizados todos los puntos de comprobación anteriores, si el motor sigue sin funcionar, póngase en contacto con su distribuidor para que le ayude.

Baja potencia del motor de gasolina			
Problema	Causa		Solución
Al girar el acelerador más grande, el aumento de la velocidad responde lentamente o la velocidad se reduce incluso el motor se detiene	Sistema de encendido	Tiempo de encendido incorrecto	Reajuste del ángulo de avance del encendido
	Sistema de suministro de combustible	Aire en la línea de combustible, línea de combustible obstruida	Línea de aire de escape o de combustible de dragado
		El chorro principal no está bien ajustado	Reajustar
		En el carburador, el orificio de la válvula de aguja y el surtidor principal están obstruidos	Limpiar y soplar para pasar
		El grifo de combustible está obstruido	Sustituir la pieza dañada
		Demasiada suciedad de carbón en la cámara de combustión	Despejar
		El filtro de aire está obstruido	Limpiar el elemento filtrante
		El tubo de admisión tiene una fuga	Sustituir
		El pistón o el cilindro o el anillo del pistón están desgastados	Sustitúyalo por uno nuevo



Baja potencia del motor de gasolina			
Problema	Causa		Solución
	Mala compresión	Fuga de aire en la superficie de contacto del bloque de cilindros con la culata	Sustituir la junta del cilindro
		Válvula demasiado grande o demasiado pequeña	Ajustar
		La estanqueidad de las válvulas es escasa	Reparar

El motor de gasolina no puede funcionar con suavidad			
Problema	Causa		Solución
El motor se está encasquillando	El bulón del pistón y el orificio del bulón del pistón están excesivamente desgastados		Sustituir los elementos desgastados
	La cabeza pequeña de la barra de acoplamiento está excesivamente desgastada		Sustituir el pistón o el bulón del pistón
	El rodamiento de rodillos del eje principal del cigüeñal está desgastado		Sustituir el tirante
	El rodamiento de rodillos del eje principal del cigüeñal está desgastado		Sustituir el rodamiento de rodillos
Combustión anormal	El motor está demasiado caliente		Dispara a los problemas
	Demasiada suciedad de carbón en la cámara de combustión		Despejar
	Marca de gasolina inadecuada o baja calidad de la gasolina		Reemplazar con gasolina calificada
El motor no puede arrancar por falta de chispa	Hay agua en la sala del flotador		Limpia
	Separación inadecuada de los electrodos de la bujía		Ajustar
	Tiempo de encendido incorrecto		Reajustar
	Algo malo con la bobina inducida, y así sucesivamente		Comprobar y sustituir las piezas dañadas

Parada repentina al encender			
Problema	Causa		Solución
Parada repentina al correr	Sistema de suministro de combustible	El combustible se agota	Llenar de combustible
		El carburador está obstruido	Comprobar la línea de combustible y la draga
		El flotador tiene una fuga	Reparar
		Válvula de aguja se atasca	Desmontar la cámara de flotación y eliminarla
	Sistema de encendido	La bujía está atravesada o cortocircuitada por un depósito de carbón	Sustituir la bujía
		El electrodo lateral de la bujía se ha caído	Sustituir la bujía y retirar el objeto caído

Parada repentina al encender			
Problema	Causa	Solución	
	El cable de alta tensión se escurre	Conéctalo	
	El aceite del motor en el cárter es insuficiente	Añadir aceite de motor hasta que llegue el nivel adecuado	
	La bobina de encendido es un camión a través de un cortocircuito	Sustituir la bobina de encendido por una nueva	
	El cable de estacionamiento se encuentra en el cuerpo del motor	Descubra la reunión y aisle	
	El otro	El cilindro se tira considerablemente, la válvula se cae	Reparar o sustituir las piezas dañadas

Motor de gasolina excesivamente caliente		
Problema	Causa	Solución
El motor de gasolina está excesivamente caliente	Tiempo de encendido inadecuado	Ajustar correctamente el ángulo de avance del encendido
	Suministro insuficiente de aceite del motor	Rellenar suficiente aceite de motor
	El tubo de escape está obstruido	Tubo de escape de la draga
	El protector de flujo tiene una fuga	Reparación de fugas
	La suciedad o algo así se llena entre las aletas de refrigeración de aire	Despejar la suciedad de algo como esto
	El ventilador de refrigeración se afloja y pierde su función	Vuelve a instalarlo bien
	El cilindro, el pistón o el anillo del pistón están desgastados, lo que provoca un flujo de aire entre el cilindro y el cárter	Sustituir el tirante
	La deformación del tirante hace que el pistón y el lado del buje del cilindro se desgasten	Sustituir la pieza desgastada
	El ajuste incorrecto de la velocidad del motor produce una velocidad de rotación excesiva	Reajustar la velocidad del motor al valor adecuado mediante el regulador de velocidad
	El cojinete del cigüeñal está quemado	Sustituir el rodamiento principal

### AVISO

El motor de gasolina debe funcionar bajo cierta temperatura. Generalmente, la temperatura permitida en la salida del protector de flujo está entre 80~100 °C, mientras que la temperatura del cárter es de unos 60 °C bajo el magneto. Si las temperaturas superan los límites, es una indicación de que el motor de gasolina está excesivamente caliente.

Ruido anormal cuando el motor está en marcha		
Problema	Causa	Solución
Hay ruido de golpes o se escucha el golpe del pistón	El pistón o el anillo del pistón o el cilindro están desgastados	Sustituir la pieza desgastada
	El vástago o el pasador del pistón y el agujero del pasador del pistón están desgastados	Sustituir la pieza desgastada
	El cojinete principal del cigüeñal	Sustituir

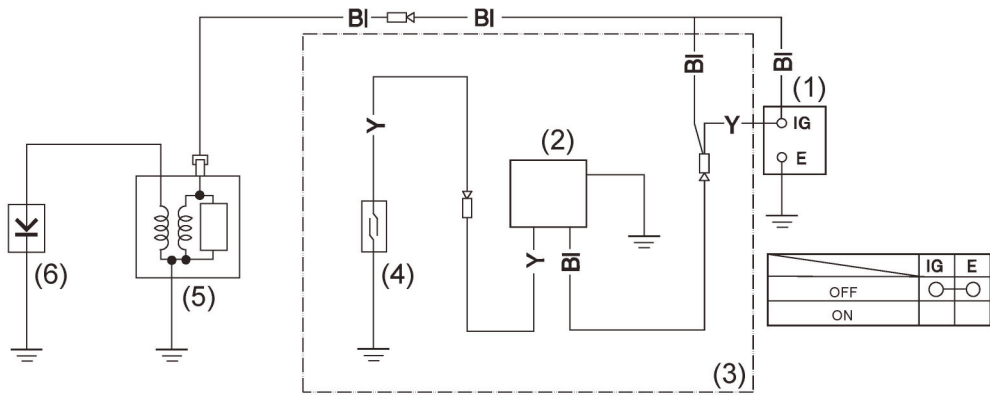
Ruido anormal cuando el motor está en marcha		
Problema	Causa	Solución
	está desgastado	
	El anillo del pistón está roto	Sustituir
Hay un ruido metálico en la combustión anormal	Demasiados depósitos de carbono en la cámara de combustión	Eliminar los depósitos de carbón
	Holgura de los electrodos de la bujía demasiado pequeña	Ajustar correctamente la holgura de los electrodos
	El motor se inunda de combustible	Comprobar las partes relativas como el carburador
	Marca de combustible inadecuada	Sustituir el combustible
	El motor está excesivamente caliente	Dispara a los problemas
Otros	Juego de válvulas inadecuado	Reajustar correctamente el juego de válvulas
	La rueda volante no está bien conectada al cigüeñal	Conéctese firmemente

**i información**

*Si su motor de gasolina parece necesitar más servicio, consulte con su distribuidor o centro de servicio autorizado.*

**CRAFTOP**®

## Esquema eléctrico



**BI = NEGRO**

**Y = AMARILLO**

- (1) INTERRUPTOR DEL MOTOR
- (2) UNIDAD DE ALERTA DE PETRÓLEO
- (3) TIPO CON UNIDAD DE ALERTA DE ACEITE
- (4) INTERRUPTOR DE NIVEL DE ACEITE
- (5) BUJÍA DE ENCENDIDO
- (6) BOBINA DE ENCENDIDO

**CRAFTOP**®

**CRAFTOP**®

[WWW.CRAFTOP.COM](http://WWW.CRAFTOP.COM)