

CRAFTOP®



Owner's Manual

Electric Drill Driver

EDR20-35A



EXPERTS
IN EQUIPMENTS OF
GARDENING AND AGRICULTURE

ENGLISH
VERSION: 00-202302

We thank you for buying CRAFTOP Electric Drill Driver

This electric drill driver provides advanced technology in incorporating many convenient features for you to perform your daily work.

Before attempting to use this electric drill driver, please read this manual carefully until you completely understand and can follow all safety rules, precautions, operating and maintenance instructions. It will help you both to become more familiar with this electric drill driver and to recognize and avoid situations that could endanger you and others. **Careless or improper use may cause serious or even fatal injury!**

If you have any question about your electric drill driver and this manual, please contact your local authorized dealer or service center. They always welcome your questions, suggestions, and constructive criticism.

We hope you enjoy this electric drill driver and wish you many years of safe and enjoyable work.

CRAFTOP CANADA LTD.

The logo for CRAFTOP is rendered in a light red color. The word "CRAFTOP" is written in a bold, italicized, sans-serif font. A horizontal line runs above the letters, starting from the left and ending with a registered trademark symbol (®) to the right of the word.

Table of contents

Guide to use this manual	1
Signs and symbols	1
Product overview.....	3
Technical specification	4
General power tool safety instructions	5
Safety instructions for cordless drill driver.....	7
Safety instructions when using long drill bits.....	8
Additional safety instructions.....	8
Safety instructions for battery chargers.....	9
Safety instructions for battery packs	9
Assembly.....	10
Operating instructions	11
Maintenance and care.....	14
Repair.....	15
Storage.....	15
Disposal.....	16
Troubleshooting guide.....	17

Guide to use this manual

This Owner's Manual refers to a CRAFTOP electric drill driver, also called a tool, power tool, product, or unit in this Owner's Manual.

All information, specifications, descriptions and illustrations in this manual are as accurate as known at the time of publication, but are subject to change without notice. Due to ongoing product development, there may be difference between your power tool and the information in this manual. No legal obligations or commitments can be delivered from the information, specifications, descriptions, or illustrations in this manual.

Illustrations are only for orientation and are merely used to help explain the text descriptions and instructions. Illustrations may include optional equipment and accessories, and may not include all standard equipment.

Some signs or symbols on the power tool may be a little different refer to special certification requirements for certain markets.

Any technical modifications to the power tool that were introduced after the editorial deadline, please consult your local dealer for more supplementary information.

All safety precautions and instructions described in this manual should be observed during operation of the electric drill driver, and all applicable federal, state and local safety regulations, standards, and ordinances should be observed as well.

Do not sell, lend or rent the power tool without this Owner's Manual. Always be sure to include this Owner's Manual together with this power tool, and make sure that anyone using it understands the information contained in this manual.

Signs and symbols

For the purpose of safety operation and maintenance, some of the following signs and symbols may be attached to or embossed on your power tool. Please study them and learn their meaning. Proper interpretation of these symbols will allow you to operate the tool better and safer.

DANGER

Texts with this symbol contain information regarding hazardous situations which will cause death or severe injuries if not avoided.

WARNING

Texts with this symbol contain information regarding hazardous situations which could cause death or severe injuries if not avoided.

CAUTION

Texts with this symbol contain information regarding hazardous situations which could cause minor or moderate injuries if not avoided.

NOTICE

Texts with this symbol information regarding situation which could cause electric drill driver damage if not avoided.

information

Texts with this symbol contain supplementary information.



Safety warning or alert symbol

Special safety precautions must be observed when working with this power tool because it has sharp edge drilling attachments and high speed rotation parts.



Read and understand the Owner's Manual

Read this Owner's Manual carefully, make sure that you completely understand and can follow all safety rules, precautions, operating and maintenance instructions before attempting to use this electric drill driver, failure to do so may cause serious or even fatal injury!



Proper clothing

Clothing must be snug-fitting but allow complete freedom of your movements.

Do not wear loose clothing, jewelry, scarf, necktie, or anything that could get caught in moving parts of the power tool.



ANSI Z87.1 eye protection (CAN/CSA Z94.3)

Wear eye protection while you are working, such as dirt/fog-proof safety glasses, goggles or a face shield.



ANSI S12.6 (S3.19) hearing protection

Wear sound barriers (ear plugs or ear muffers) to protect your hearing.



NIOSH/OSHA/MSHA respiratory protection

Operators who are sensitive to dust or other common airborne allergens may need to wear a dust mask.



Hands protection

Always wear appropriate gloves for electric drill driver operation.



Foot protection required

Steel toe shoes with anti-slip sole required in working area.



Hazards of electric shock

Be careful of high voltage cable when you use power tool.

Do not touch!



Arrow (action in the direction of arrow)



Infinitely variable selector with off (speed is increasing from 0 settings)



AC

Alternating current (type or a characteristic of current)



DC

Direct current (type or a characteristic of current)



AC or DC

Alternating or direct current (type or a characteristic of current)



Proper grounding required

Consult with local electrician to determine grounding requirements before operation this power tool.

V

Volts (voltage)

A

Amperes (current)

Ah

Amp-hour (measurement of battery capacity)

Hz

Hertz (frequency, cycles per second)

W

Watt (power)

Wh

Watt-hour (measurement of energy capacity)

min

Minutes (time)

s

Seconds (time)

.../min

Per minute

n₀

No load speed

n

Rated speed

1,2,3...

Selector settings (speed, torque or position settings. Higher number means greater speed / torque)

I,II,III,...

BPM

Beats per minute

IPM

Impacts per minute

RPM

Revolutions per minute

SPM

Stoke per minute

SFPM

Surface feet per minute

mm

Millimeter

in

Inch

kg

Kilograms (weight)

∅

Diameter (size of drill bits, grinding wheels, etc.)

Product overview



- | | | |
|-----------------------------------|---------------------------------------|---|
| 1. Chuck sleeve | 7. Battery pack (may not be included) | 13. Hook (may not be included) |
| 2. Mode selection collar | 8. Battery pack release button | 14. Hook fixation screw (may not be included) |
| 3. Speed selector/Gear shifter | 9. Battery fuel gauge | 15. Harness (may not be included) |
| 4. Ventilation openings | 10. Viable speed trigger switch | 16. Charger (may not be included) |
| 5. Forward/reverse control button | 11. LED work light | 17. Owner's manual |
| 6. Main handle | 12. Keyless chuck | |

Intended use

This tool is a professional power tool designed for drilling and screwdriving.

⚠ WARNING

- Do not use under wet conditions or in presence of flammable liquids or gases.
- Do not let children come into contact with the tool. Supervision is required when inexperienced operators use this tool.

Technical specification

MODEL		EDR20-35A	
Item	Description	Unit	Specification
Overall	Package dimension	in(mm)	22.4x13x10.8 (570x330x275)
	Package weight	kg	17
Motor	Model#		38*21*15H
	Type		Brushless
	No load speed (1 st gear)	rpm	0~450
	No load speed (2 nd gear)	rpm	0~1500
	Maximum torque	Nm	35
	Max. drill diameter (metal)	mm	13
	Max. drill diameter (wood)	mm	20
Mechanical property	Max Clamping Capacity	mm	10
	Max Screw Diameter	mm	7
	With impact		No
	Number of shocks		N/A
Battery	Type		Lithium-Ion
	Voltage	V	20V DC
	Capacity	Ah	2.0
	Quantity per box		2
	The battery may not be included in your package, and the battery capacity is optional for different models. Please check the information on your package when purchasing.		
Charger	Model#		1.8A
	Input		110-240V AC 50-60Hz 45W
	Output		20V DC 1.8A
	Minimum charging time	m	60
	Weight	kg	0.27
	The charger may not be included in your package. Please check the information on your package when purchasing.		

information

Specifications, descriptions and illustrations in this manual are as accurate as known at the time of publication, but are subject to change without notice.

General power tool safety instructions



Special safety precautions must be observed when working with this power tool because it has sharp edge drill accessories and high speed rotation parts.



Before attempting to use this electric drill driver, please read this manual carefully until you completely understand and can follow all safety rules, precautions, operating and maintenance instructions. Careless or improper use may cause serious or even fatal injury!

Save all warnings and instructions for future reference!

information

The term "power tool" in the warnings refers to your mains-operated (corded) power tool or battery-operated (cordless) power tool.

Safety precautions

DANGER

- Because an electric drill driver has high speed rotation parts, some special precautions must be observed to reduce the risk of accident and personal injury. Careless or improper use may cause serious or even fatal injury.
- Rotating parts can entangle hair, hands, clothing, feet and/or accessories. Traumatic amputation or severe laceration can result.

WARNING

- Observe all applicable local safety regulations, standards and ordinances.
- The noise emitted from this power tool may be restricted to certain times by national or local regulations.
- Minors should never be allowed to use this electric drill driver. Do not allow other persons near the electric drill driver when operating. Keep bystanders, especially children, and animals out of the work area and keep a safe distance. Close supervision of children is necessary to ensure that they do not enter the work area or play with the power tool.
- Never let your electric drill driver run unattended. When it is not in use (e.g., during a work break), shut it off and make sure that unauthorized persons do not use it.
- The people who use this electric drill driver must be in good physical condition and mental health, and not under the influence of alcohol and drugs. Never use this electric drill driver when you are fatigued, sick, or upset. If you feel tired, take a break.
- The components of this power tool generate an electromagnetic field during operation, which may interfere with some pacemakers. To reduce the risk of serious or fatal injury, persons with pacemakers should consult with their physician and the pacemaker manufacturer before operating this power tool. In the absence of such information, CRAFTOP

does not recommend the use of this power tool by anyone who has a pacemaker.

- The user of this power tool is responsible for avoiding injury to third parties or damage to their property.

CAUTION

Prolonged exposure to cold and/or vibration may result in injury. Read and follow all safety and operation instructions to minimize risk of injury. Failure to follow instructions may result in painful wrist / hand / arm injuries.

Raynaud's Phenomenon may affect the fingers of certain individual if a person is exposed to vibration and cold. Exposure to vibration and cold may cause tingling and burning sensations, followed by loss of color and numbness in the fingers. The following precautions are strongly recommended:

- Keep your body warm, especially the head, neck, hands, wrists, ankles and feet.
- Maintain good blood circulation by performing vigorous arm exercises during frequent work breaks.
- Limit the hours of operation, have a rest when you feel tired or fatigued.
- If you experience discomfort, redness, and swelling of the fingers followed by whitening and loss of feeling, consult your physician before continuing exposing yourself to cold and vibration.

Overusing the muscles and tendons of the fingers, hands, arms, and shoulders may cause soreness, swelling, numbness, weakness, and extreme pain in those areas.

- Avoid using your wrist in a bent, extended, or twisted posture. Instead, try to maintain a straight wrist position. Also, when grasping, use your whole hand, not just the thumb and index finger.
- Take periodic breaks to minimize repetition and let your hands have a rest.
- Reduce the speed and force with which you do the repetitive movement.
- Do exercise to strengthen your hands and arm muscles.
- Immediately stop using the power tool and other power tools, and consult a doctor if you feel tingling, numbness, or pain in the fingers, hands, wrists, or arms.

Work area safety

- Keep work area clean and well lit. Cluttered or dark areas invite accidents.
- Do not operate power tools in explosive atmospheres, such as in the presence of flammable liquids, gases or dust. Power tools create sparks which may ignite the dust or fumes.
- Keep children and bystanders away while operating a power tool. Distractions can cause you to lose control.

Electrical safety

- Power tool plugs must match the outlet.
- Never modify the plug in any way. Do not use any adapter plugs with earthed (grounded) power tools.

Unmodified plugs and matching outlets will reduce risk of electric shock.

- Avoid body contact with earthed or grounded surfaces such as pipes, radiators, ranges and refrigerators. There is an increased risk of electric shock if your body is earthed or grounded.
- Do not expose power tools to rain or wet conditions. Water entering a power tool will increase the risk of electric shock.
- Do not abuse the cord. Never use the cord for carrying, pulling or unplugging the power tool. Keep cord away from heat, oil, sharp edges or moving parts. Damaged or entangled cords increase the risk of electric shock.
- When operating a power tool outdoors, use an extension cord suitable for outdoor use. Use of a cord suitable for outdoor use reduces the risk of electric shock.
- If operating a power tool in a damp location is unavoidable, use a Ground Fault Circuit Interrupter (GFCI) protected supply. Use of a GFCI reduces the risk of electric shock.

Personal safety

WARNING

Most electric drill driver accidents happen when the drill accessory touches the operator. You must wear approved clothing and approved personal protective equipments (PPE) whenever you use a electric drill driver.

WARNING

Always use safety glasses. Everyday eyeglasses are NOT safety glasses. Also use face or dust mask if working environment is dusty. Always wear certified safety equipment.

Proper clothing.

Clothing must be snug-fitting but allow complete freedom of your movements.

Do not wear loose clothing, jewelry, scarf, necktie, or anything that could get caught in moving parts of the power tool.

ANSI Z87.1 eye protection (CAN/CSA Z94.3)

Wear eye protection while you are working, such as dirt/fog-proof safety glasses, goggles or a face shield.

ANSI S12.6 (S3.19) hearing protection

Wear sound barriers (ear plugs or ear muffers) to protect your hearing.

NIOSH/OSHA/MSHA respiratory protection.

Operators who are sensitive to dust or other common airborne allergens may need to wear a dust mask.



Hands protection.

Always wear appropriate gloves for electric drill driver operation.



Foot protection required.

Steel toe shoes with anti-slip sole required in working area.

- Stay alert, watch what you are doing and use common sense when operating a power tool. Do not use a power tool while you are tired or under the influence of drugs, alcohol or medication. A moment of inattention while operating power tools may result in serious personal injury.
- Use personal protective equipment. Always wear eye protection. Protective equipment such as dust mask, non-skid safety shoes, hard hat, or hearing protection used for appropriate conditions will reduce personal injuries.
- Prevent unintentional starting. Ensure the switch is in the off-position before connecting to power source and / or battery pack, picking up or carrying the tool. Carrying power tools with your finger on the switch or energizing power tools that have the switch on invites accidents.
- Remove any adjusting key or wrench before turning the power tool on. A wrench or a key left attached to a rotating part of the power tool may result in personal injury.
- Do not overreach. Keep proper footing and balance at all times. This enables better control of the power tool in unexpected situations.
- Dress properly. Do not wear loose clothing or jewelry. Keep your hair, clothing and gloves away from moving parts. Loose clothes, jewelry or long hair can be caught in moving parts.
- If devices are provided for the connection of dust extraction and collection facilities, ensure these are connected and properly used. Use of dust collection can reduce dust related hazards.
- Do not let familiarity gained from frequent use of tools allow you to become complacent and ignore tool safety principles. A careless action can cause severe injury within a fraction of a second.

Power tool use and care

- Do not force the power tool. Use the correct power tool for your application. The correct power tool will do the job better and safer at the rate for which it was designed.
- Do not use the power tool if the switch does not turn it on and off. Any power tool that cannot be controlled with the switch is dangerous and must be repaired.
- Disconnect the plug from the power source and/ or remove the battery, pack if detachable, from the power tool before making any adjustments, changing accessories, or storing power tools. Such preventive safety measures reduce the risk of starting the power tool accidentally.
- Store idle power tools out of the reach of children and do not allow persons unfamiliar with the power tool or

these instructions to operate the power tool. Power tools are dangerous in the hands of untrained users.

- Maintain power tools and accessories. Check for misalignment or binding of moving parts, breakage of parts and any other condition that may affect the power tool's operation. If damaged, have the power tool repaired before use. Many accidents are caused by poorly maintained power tools.
- Keep drill bits sharp and clean. Properly maintained drill accessories with sharp cutting edges are less likely to bind and are easier to control.
- Use the power tool, accessories and tool bits, etc. in accordance with these instructions, taking into account the working conditions and the work to be performed. Use of the power tool for operations different from those intended could result in a hazardous situation.
- Keep handles and grasping surfaces dry, clean and free from oil and grease. Slippery handles and grasping surfaces do not allow for safe handling and control of the tool in unexpected situations.

Battery tool use and care

- Recharge only with the charger specified by the manufacturer. A charger that is suitable for one type of battery pack may create a risk of fire when used with another battery pack.
- Use power tools only with specifically designated battery packs. Use of any other battery packs may create a risk of injury and fire.
- When battery pack is not in use, keep it away from other metal objects like paper clips, coins, keys, nails, screws, or other small metal objects that can make a connection from one terminal to another. Shorting the battery terminals together may cause burns or a fire.
- Under abusive conditions, liquid may be ejected from the battery, avoid contact. If contact accidentally occurs, flush with water. If liquid contacts eyes, additionally seek medical help. Liquid ejected from the battery may cause irritation or burns.
- Do not use a battery pack or tool that is damaged or modified. Damaged or modified batteries may exhibit unpredictable behavior resulting in fire, explosion or risk of injury.
- Do not expose a battery pack or tool to fire or excessive temperature. Exposure to fire or temperature above 265 °F (129 °C) may cause explosion.
- Follow all charging instructions and do not charge the battery pack or tool outside the temperature range specified in the instructions. Charging improperly or at temperatures outside the specified range may damage the battery and increase the risk of fire.

Transportation

WARNING
Fire hazard! Do not store or carry the battery pack so that metal objects can contact exposed battery terminals. For example, do not place the battery pack in aprons, pockets, tool boxes, product kit boxes, drawers, etc., with loose nails, screws, keys, etc.

Transporting batteries can possibly cause fires if the battery terminals inadvertently come in contact with

conductive materials such as keys, coins, hand tools and the like.

The US Department of Transportation Hazardous Material Regulations (HMR) actually prohibits transporting batteries in commerce or on airplanes in carry-on baggage UNLESS they are properly protected from short circuits. So when transporting individual battery packs, make sure that the battery terminals are protected and well insulated from materials that could contact them and cause a short circuit.

Maintenance

Develop a periodic maintenance schedule for your tool. When cleaning a tool be careful not to disassemble any portion of the tool since internal wires may be misplaced or pinched or safety guard return springs may be improperly mounted. Certain cleaning agents such as gasoline, carbon tetrachloride, ammonia, etc. may damage plastic parts.

Service

Have your power tool serviced by a qualified repair person using only identical replacement parts. This will ensure that the safety of the power tool is maintained.

Safety instructions for cordless drill driver

WARNING
Before attempting to use this electric drill driver, read all safety warnings and all instructions.

DANGER
Keep hands away from drill area and the drill bits.

- Wear ear protectors when impact drilling. Exposure to noise can cause hearing loss.
- Use the auxiliary handle(s). Loss of control can cause personal injury.
- Hold power tool by insulated gripping surfaces, when performing an operation where the drilling accessory or fasteners may contact hidden wiring. Drilling accessory or fasteners contacting a "live" wire may make exposed metal parts of the power tool "live" and could give the operator an electric shock.
- Hold tool firmly with two hands, one hand on the handle, and the other gripping the bottom around the battery area or the auxiliary handle if provided. Loss of control can cause personal injury.
- Use clamps or another practical way to secure and support the workpiece to a stable platform. Holding the work by hand or against your body leaves it unstable and may lead to loss of control.
- Do not drill, fasten or break into existing walls or other blind areas where electrical wiring may exist. If this situation is unavoidable, disconnect all fuses or circuit breakers feeding this worksite.
- Always wear safety goggles or eye protection when using this tool. Use a dust mask or respirator for applications which generate dust.

- Use thick cushioned gloves and limit the exposure time by taking frequent rest periods. Vibration caused by hammer-drill action may be harmful to your hands and arms.
- Secure the material being drilled. Never hold it in your hand or across legs. Unstable support can cause the drill bit to bind causing loss of control and injury.
- Disconnect battery pack from tool before making any assembly, adjustments or changing accessories. Such preventive safety measures reduce the risk of starting the tool accidentally.
- Position yourself to avoid being caught between the tool or side handle and walls or posts. Should the bit become bound or jammed in the work, the reaction torque of the tool could crush your hand or leg.
- If the bit becomes bound in the workpiece, release the trigger immediately, reverse the direction of rotation and slowly squeeze the trigger to back out the bit. Be ready for a strong reaction torque. The drill body will tend to twist in the opposite direction as the drill bit is rotating.
- Do not grasp the tool or place your hands too close to the spinning chuck or drill bit. Your hand may be lacerated.
- When installing a drill bit, insert the shank of the bit well within the jaws of the chuck. If the bit is not inserted deep enough, the grip of the jaws over the bit is reduced and the loss of control is increased.
- Do not use dull or damaged bits and accessories. Dull or damaged bits have a greater tendency to bind in the workpiece.
- Do not operate this tool for long periods of time. Vibration caused by tool action may be harmful to your hands and arms. Use gloves to provide extra cushion and limit exposure by taking frequent rest periods.
- Accessories and tool may get hot during operation or after prolonged use. When removing the bit from the tool avoid contact with skin and use proper protective gloves when grasping the bit or accessory.

Safety instructions when using long drill bits

Never operate at higher speed than the maximum speed rating of the drill bit. At higher speeds, the bit is likely to bend if allowed to rotate freely without contacting the workpiece, resulting in personal injury.

Always start drilling at low speed and with the bit tip in contact with the workpiece. At higher speeds, the bit is likely to bend if allowed to rotate freely without contacting the workpiece, resulting in personal injury.

Apply pressure only in direct line with the bit and do not apply excessive pressure. Bits can bend causing breakage or loss of control, resulting in personal injury.

Additional safety instructions

WARNING

Some dust created by power sanding, sawing, grinding, drilling, and other construction activities contains chemicals known to the State of California to cause cancer, birth defects or other reproductive harm. Some examples of these chemicals are lead from lead-based paints, crystalline silica from bricks and cement and other masonry products, and arsenic and chromium from chemically-treated lumber.

Your risk from these exposures varies, depending on how often you do this type of work. To reduce your exposure to these chemicals: work in a well ventilated area, and work with approved safety equipment, such as those dust masks that are specially designed to filter out microscopic particles.

Avoid prolonged contact with dust from power sanding, sawing, grinding, drilling, and other construction activities. Wear protective clothing and wash exposed areas with soap and water. Allowing dust to get into your mouth, eyes, or lay on the skin may promote absorption of harmful chemicals.

WARNING

Use of this tool can generate and/or disperse dust, which may cause serious and permanent respiratory or other injury. Always use NIOSH/OSHA approved respiratory protection appropriate for the dust exposure, direct particles away from face and body.

WARNING

Always wear proper personal hearing protection that conforms to ANSI S12.6 (S3.19) during use. Under some conditions and duration of use, noise from this product may contribute to hearing loss.

CAUTION

When not in use, place tool on its side on a stable surface where it will not cause a tripping or falling hazard. Some tools with large battery packs will stand upright on the battery pack but may be easily knocked over.

Keep handles dry, clean and free from oil and grease. Slippery hands cannot safely control the power tool.

Do not use AC only rated tools with a DC power supply. While the tool may appear to work, the electrical components of the AC rated tool are likely to fail and create a hazard to the operator.

Ensure the switch is in the off position before inserting battery pack. If the switch is set at ON position, inserting the battery pack into power tools may result in accidents.

Air vents often cover moving parts and should be avoided. Loose clothes, jewelry or long hair can be caught in moving parts.

Avoid hurting your hands. Inspect for and remove your hands away from drilling area before drilling.

Safety instructions for battery chargers

WARNING

Read all safety warnings and all instructions for the battery pack, charger and power tool. Failure to follow the warnings and instructions may result in electric shock, fire and/or serious injury.

- Do not attempt to charge the battery pack with any chargers other than the ones in this manual. The charger and battery pack are specifically designed to work together.
- These chargers are not intended for any uses other than charging CRAFTOP rechargeable batteries. Any other uses may result in risk of fire, electric shock or electrocution.
- Do not expose the charger to rain or snow.
- Pull by the plug rather than the cord when disconnecting the charger. This will reduce the risk of damage to the electric plug and cord.
- Make sure that the cord is located so that it will not be stepped on, tripped over or otherwise subjected to damage or stress.
- Do not use an extension cord unless it is absolutely necessary. Use of improper extension cord could result in risk of fire, electric shock or electrocution.
- When operating a charger outdoors, always provide a dry location and use an extension cord suitable for outdoor use. Use of a cord suitable for outdoor use reduces the risk of electric shock.
- An extension cord must have adequate wire size (AWG or American Wire Gauge) for safety. The smaller the gauge number of the wire, the greater the capacity of the cable, that is, 16 gauge has more capacity than 18 gauge. An undersized cord will cause a drop in line voltage resulting in loss of power and overheating. When using more than one extension to make up the total length, be sure each individual extension contains at least the minimum wire size. The following table shows the correct size to use depending on cord length and nameplate ampere rating. If in doubt, use the next heavier gauge. The lower the gauge number, the heavier the cord.
- Do not place any object on top of the charger or place the charger on a soft surface that might block the ventilation slots and result in excessive internal heat. Place the charger in a position away from any heat source. The charger is ventilated through slots in the top and the bottom of the housing.
- Do not operate the charger with a damaged cord or plug.
- Do not operate the charger if it has received a sharp blow, been dropped or otherwise damaged in any way. Take it to an authorized service center.
- Do not disassemble the charger; take it to an authorized service center when service or repair is required. Incorrect reassembly may result in a risk of electric shock, electrocution or fire.
- Disconnect the charger from the outlet before attempting any cleaning. This will reduce the risk of electric shock. Removing the battery pack will not reduce this risk.
- Never attempt to connect 2 chargers together.

- The charger is designed to operate on standard 110-240V AC household electrical power. Do not attempt to use it on any other voltage. This does not apply to the vehicular charger.

WARNING

Shock hazard! Do not allow any liquid to get inside the charger. Electric shock may result.

WARNING

Burn hazard! Do not submerge the battery pack in any liquid or allow any liquid to enter the battery pack. Never attempt to open the battery pack for any reason. If the plastic housing of the battery pack breaks or cracks, return to a service center for recycling.

WARNING

Burn hazard! To reduce the risk of injury, only charge CRAFTOP rechargeable battery packs. Other types of batteries may overheat and burst resulting in personal injury and property damage.

NOTICE

Under certain conditions, with the charger plugged into the power supply, the charger can be shorted by foreign material. Foreign materials of a conductive nature, such as, but not limited to, grinding dust, metal chips, steel wool, aluminum foil or any buildup of metallic particles should be kept away from the charger cavities. Always unplug the charger from the power supply when there is no battery pack in the cavity. Unplug the charger before attempting to clean.

Minimum gauge for cord sets					
Volts	Total length of cord in feet (meters)				
	110V	25(7.6)	50(15.2)	100(30.5)	150(45.7)
240V	50(15.2)	100(30.5)	200(61.0)	300(91.4)	
Ampere rating		American Wire Gauge			
>	≤				
0	6	18	16	16	14
6	10	18	16	14	12
10	12	16	16	14	12
12	16	14	12		

Safety instructions for battery packs

WARNING

- Read all safety warnings and all instructions for the battery pack, charger and power tool. Failure to follow the warnings and instructions may result in electric shock, fire and/or serious injury.
- Do not charge or use the battery pack in explosive atmospheres, such as in the presence of flammable liquids, gases or dust. Inserting or removing the battery pack from the charger may ignite the dust or fumes.
- Never force the battery pack into the charger. Do not modify the battery pack in any way to fit into a

non-compatible charger as battery pack may rupture causing serious personal injury. Consult the chart at the end of this manual for compatibility of batteries and chargers.

- Charge the battery packs only in designated CRAFTOP chargers.
- Do not splash or immerse in water or other liquids.
- Do not store or use the tool and battery pack in locations where the temperature may reach or exceed 104 °F (40 °C) (such as outside sheds or metal buildings in summer). For best life store battery packs in a cool, dry location.

! WARNING
Do not store the battery packs in a tool with the trigger switch locked on. Never tape the trigger switch in the ON position.

Do not incinerate the battery pack even if it is severely damaged or is completely worn out. The battery pack can explode in a fire. Toxic fumes and materials are created when lithium ion battery packs are burned.

If battery contents come into contact with the skin, immediately wash area with mild soap and water. If battery liquid gets into the eye, rinse water over the open eye for 15 minutes or until irritation ceases. If medical attention is needed, the battery electrolyte is composed of a mixture of liquid organic carbonates and lithium salts.

Contents of opened battery cells may cause respiratory irritation. Provide fresh air. If symptoms persist, seek medical attention.

! WARNING
Burn hazard! Battery liquid may be flammable if exposed to spark or flame.

! WARNING
Fire hazard! Never attempt to open the battery pack for any reason. If the battery pack case is cracked or damaged, do not insert into the charger. Do not crush, drop or damage the battery pack. Do not use a battery pack or charger that has received a sharp blow, been dropped, run over or damaged in any way (e.g., pierced with a nail, hit with a hammer, stepped on). Damaged battery packs should be returned to the service center for recycling.

! WARNING
Fire hazard! Do not store or carry the battery pack so that metal objects can contact exposed battery terminals. For example, do not place the battery pack in aprons, pockets, tool boxes, product kit boxes, drawers, etc., with loose nails, screws, keys, etc. Transporting batteries can possibly cause fires if the battery terminals inadvertently come in contact with conductive materials such as keys, coins, hand tools and the like. The US Department of Transportation Hazardous Material Regulations (HMR) actually prohibits transporting batteries in commerce or on airplanes in carry-on baggage UNLESS they are properly protected from short circuits. So when transporting individual battery packs, make sure that the battery terminals are protected and well insulated from materials that could contact them and cause a short circuit.

Assembly

Your electric drill driver requires some assembly. If you have any questions regarding the assembly of your electric drill driver, please contact local authorized dealer or service center.

Proper PPE are required when you unpack the box and perform the assembly work.

! WARNING
Disconnect battery pack from tool before making any assembly, adjustments or changing accessories. Such preventive safety measures reduce the risk of starting the tool accidentally. An accidental start-up can cause injury.

! NOTICE
The battery pack is not fully charged out of the carton. Before using the battery pack and charger, read the safety instructions and then follow charging procedures outlined. When ordering replacement battery packs, be sure to include the part number and voltage. Your power tool uses a CRAFTOP charger. Be sure to read all safety instructions before using your charger.

Installing the hook (optional)

! WARNING
When installing the hook, always secure it with the screw firmly. If not, the hook may come off from the tool and result in the personal injury.

The hook is convenient for temporarily hanging the tool. This can be installed on either side of the tool.

To install the hook, insert it into a groove in the tool housing on either side and then secure it with a screw. To remove the hook, loosen the screw and then take it out.



Installing / removing a drill bit or other accessory into / from keyless chuck

WARNING

Do not attempt to tighten drill bits (or any other accessory) by gripping the front part of the chuck and turning the tool on. Damage to the chuck and personal injury may result. Always lock off trigger switch and disconnect tool from power source when changing accessories.

WARNING

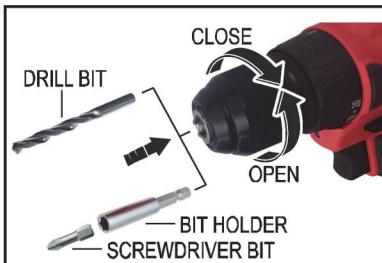
Always ensure the bit is secure before starting the tool. A loose bit may eject from tool causing possible personal injury.

To install a drill bit or other accessory:

1. Move forward/reverse switch button to the center "OFF" position.
2. Remove battery pack.
3. To install a drill bit, rotate the clutch ring to the drill bit symbol "▲▲▲▲".



4. Rotate the chuck sleeve to open the teeth of the keyless chuck far enough to accept the desired accessory.



5. Insert a clean bit up to the drill bit flutes for small bits, or as far as it will go for large bits.
6. Close chuck by rotating the chuck sleeve clockwise and securely tighten by hand.

NOTICE

For maximum tightness, tighten the keyless chuck with one hand on the chuck sleeve and one hand holding the tool.

To remove a drill bit or other accessory:

To open rotate the chuck sleeve counterclockwise viewing from chuck end, and open chuck teeth to approximate drill bit diameter to release the accessory.

Installing the battery pack to the tool

WARNING

Make certain to set Forward/Reversing switch button to the center "OFF" position).

NOTICE

For best results, make sure your battery pack is fully charged.

Align the battery pack with the rails inside the tool's handle and slide it into the handle until the battery pack is firmly seated in the tool and ensure that it does not disengage.



Operating instructions

WARNING

To reduce the risk of serious personal injury, turn unit off and remove the battery pack before making any adjustments or removing/installing attachments or accessories. An accidental start-up can cause injury.

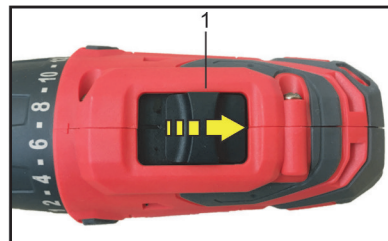
Speed selection

The tool features two speed settings for greater versatility.

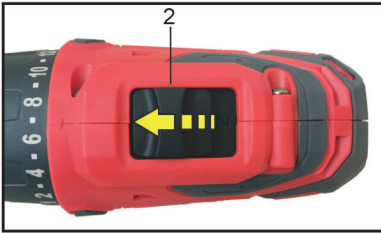
NOTICE

Do not change speeds when the tool is running. Always allow the tool to come to a complete stop before changing speed.

To select speed 1 (higher torque setting), slide the speed selector back (away from the chuck).



To select speed 2 (lower torque setting), slide the speed selector forward (towards the chuck).




If the tool does not change speeds, confirm that the speed selection switch is completely engaged in the forward or back position.

Mode selection

Your tool features 20 clutch settings. Output torque will increase as the clutch ring, is rotated from 1 to 20. The drill "██████" position will lock up the clutch to permit drilling and driving heavy-duty work, and also enables bits to be changed

The mode selection collar can be used to select the correct operating mode depending upon the planned application.

To select, rotate the collar until the desired symbol aligns with the arrow.

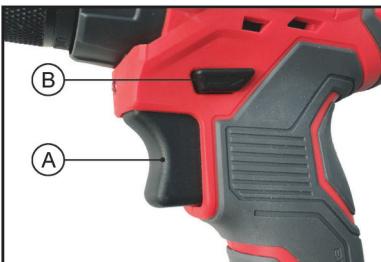
Symbol	Mode
	Drilling
1,2,3,...20	Screwdriving (higher number=greater torque)



Variable speed trigger switch and forward/reverse control button

The drill is turned ON and OFF by pulling and releasing the trigger switch (A). The farther the trigger is depressed, the higher the speed of the drill.

A forward/reverse control button (B) determines the rotational direction of the tool and also serves as a lock-off button.



- To select forward rotation, release the trigger switch and depress the forward/reverse control button on the right side of the tool.
- To select reverse, depress the forward/reverse control button on the left side of the tool.

! NOTICE

Do not change direction of rotation until the tool comes to a complete stop. Shifting during rotation of the chuck can cause damage to the tool.

! NOTICE

The center position of the control button locks the tool in the off position. When changing the position of the control button, be sure the trigger is released.

! NOTICE

Continuous use in variable speed range is not recommended. It may damage the switch and should be avoided.

Brake

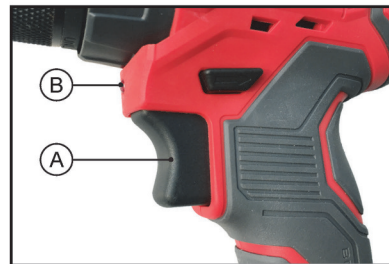
When the trigger switch is released it activates the brake to stop the chuck quickly. This is especially useful in the repetitive driving and removal of screws.

LED work light

! CAUTION

Do not stare into LED worklight. Serious eye injury could result.

Your tool is also equipped with a LED worklight (B) that turns on automatically when the trigger switch (A) is activated, for better visibility when drilling/, and it will automatically turn off approximately 5 seconds after the trigger switch is released.



! NOTICE

The work light is for lighting the immediate work surface and is not intended to be used as a flashlight.

Proper hand position

! WARNING

To reduce the risk of serious personal injury, always use proper hand position as shown.

! WARNING

To reduce the risk of serious personal injury, ALWAYS hold securely in anticipation of a sudden reaction.

Proper hand position requires one hand on the main handle and one hand on the battery pack. Hold tool

firmly with both hands to control the twisting action of the drill.



Performing an application

WARNING

To reduce the risk of personal injury, always ensure workpiece is anchored or clamped firmly.

WARNING

Always wait until the motor has come to a complete standstill before changing the direction of rotation.

• Prior to performing work:

1. Set the speed selector. Refer to the section of *Installing / removing a drill bit or other accessory into / from keyless chuck*.
2. Install the appropriate bit or accessory into the chuck. Refer to *Installing a Bit or Accessory into a Keyless Chuck*.

WARNING

Do not use this tool to mix or pump easily combustible or explosive fluids (benzene, alcohol, etc.). Do not mix or stir flammable liquids labeled accordingly.

Screwdriving (1~20)

Your tool has a clutch with adjustable torque for driving and removing a wide array of fastener shapes and sizes. The numbers 1~20 on the mode selection collar are used to set a torque range for screwdriving. The higher the number on the collar, the higher the torque and the larger the fastener which can be driven.

1. Turn the mode selection collar 6 to the desired position. Refer to the section of *Mode selection*.
2. Pull the trigger switch applying pressure in a straight line with the bit until the fastener is seated at the desired depth in the workpiece.

information

Recommendations for screwdriving:

- Start with lower torque settings, then advance to higher torque settings to avoid damage to the workpiece or fastener.
- Make some practice runs in scrap or on unseen areas of the workpiece to determine the proper position of the mode selection collar.

Drilling

NOTICE

For masonry, such as brick, cement, cinder block, etc., use carbide-tipped masonry bits.

1. Turn the mode selection collar to the drill symbol. Refer to *Mode Selection*.
2. Place drill bit in contact with the workpiece.

NOTICE

Use sharp drill bit only.

3. Pull the trigger switch applying pressure in a straight line with the bit until it reaches the desired depth.

WARNING

Drill may stall if overloaded causing a sudden twist. Always expect the stall. Grip the drill firmly to control the twisting action and avoid injury.

4. Keep the motor running when pulling the bit back out of a drilled hole to prevent jamming.

information

When drilling in wood:

Be certain workpiece is clamped or anchored firmly. Always apply pressure in a straight line with the drill bit. Maintain enough pressure to keep the drill "biting".

When drilling holes in wood, twist bits can be used. Twist bits may overheat unless pulled out frequently to clear chips from flutes.

Use a "back-up" block of wood for work that is likely to splinter, such as thin materials.

You will drill a cleaner hole if you ease up on the pressure just before the bit breaks through the wood. Then complete the hole from the back side.

information

When drilling in metal:

There are two rules for drilling hard materials. First, the harder the material, the greater the pressure you need to apply to the tool. Second, the harder the material, the slower the speed.

Here are a couple of tips for drilling in metal. Lubricate the tip of the bit occasionally with cutting oil except when drilling soft metals such as aluminum, copper or cast iron. If the hole to be drilled is fairly large, drill a smaller hole first, then enlarge to the required size, it's often faster in the long run. Maintain enough pressure to assure that the bit does not just spin in the hole. This will dull the bit and greatly shorten its life.

information

Recommendations for drilling:

When drilling, always apply pressure in a straight line with the bit, but do not push hard enough to stall the motor or deflect the bit.

- If the drill stalls:

Release trigger switch immediately, remove drill bit from work, and determine cause of stalling.

Do not depress trigger switch on and off in an attempt to start a stalled drill—this can damage the drill.

To minimize stalling or breaking through the material, reduce pressure on drill and ease the bit through the last fractional part of the hole.

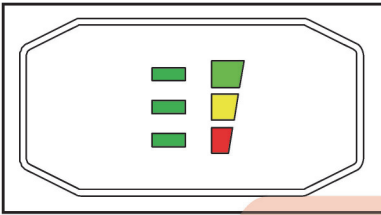
- Large holes (5/16" to 1/2" [7.9 mm to 12.7 mm]) in steel can be made easier if a pilot hole (5/32" to 3/16" [4 mm to 4.8 mm]) is drilled first.
- If drilling thin material or material that is prone to splinter, use a wood "back-up" block to prevent damage to the work piece.

Battery fuel gauge

A battery fuel gauge is located at the bottom of primary handle which consists of three green LED lights that indicate the level of charge remaining in the battery pack.

The fuel gauge is an indication of approximate levels of charge remaining in the battery pack.

- Fully charged



- Need to be charged



Removing the battery pack from the tool

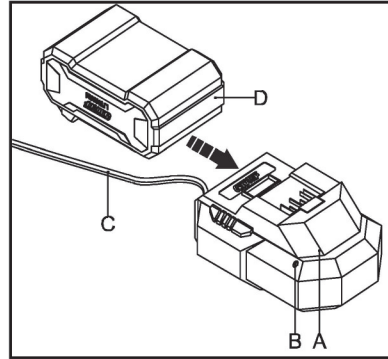
To remove the battery pack from the tool, press the battery pack release button (1) and firmly pull the battery pack out of the tool handle (2). Insert it into the charger as described in the charger section of this manual.



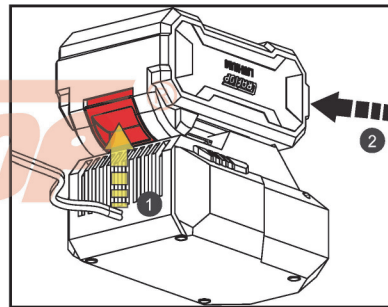
Charging a battery

1. Plug the charger power cable plug (C) into an appropriate outlet before inserting battery pack.

2. Insert the battery pack (D) into the charger, making sure the battery pack is fully seated in the charger (A). The red (charging) light (B) will blink continuously indicating that the charging process has started.
3. The completion of charge will be indicated by the red light changes to green light (B) and remaining ON continuously. The battery pack is fully charged and may be used at this time or left in the charger.



4. To remove the battery pack from the charger, push the battery release button (1) on the battery pack, and push the battery pack out from another end (2).



NOTICE

To ensure maximum performance and life of lithium-ion battery packs, charge the battery pack fully before first use.

Maintenance and care

WARNING

To reduce the risk of serious personal injury, turn unit off and remove the battery pack before making any adjustments or removing/installing attachments or accessories. An accidental start-up can cause injury.

WARNING

NO USER SERVICEABLE PARTS INSIDE. Preventive maintenance performed by unauthorized personnel may result in misplacing of internal wires and components which could cause serious hazard. We recommend that all tool service be performed by CRAFTOP authorized dealer or service center. **SERVICEMEN:** Disconnect tool and/or charger from power source before servicing.

WARNING

Never modify the product or any part of it. Damage or personal injury could result.

Cleaning your tool

WARNING

To avoid accidents, always disconnect the tool and/or charger from the power supply before cleaning. The tool may be cleaned most effectively with compressed dry air. Always wear safety goggles when cleaning tools with compressed air.

Ventilation openings and switch levers must be kept clean and free of foreign matter. Do not attempt to clean by inserting pointed objects through opening.

NOTICE

Never use solvents or other harsh chemicals for cleaning the non-metallic parts of the tool. Certain cleaning agents and solvents damage plastic parts. Some of these are: gasoline, carbon tetrachloride, chlorinated cleaning solvents, ammonia and household detergents that contain ammonia. Use a cloth dampened only with water and mild soap. Never let any liquid get inside the tool; never immerse any part of the tool into a liquid.

WARNING

Blow dirt and dust out of all air vents with clean, dry air at least once a week. To minimize the risk of eye injury, always wear ANSI Z87.1 approved eye protection when performing this.

Cleaning battery pack

Dirt and grease may be removed from the exterior of the battery using a cloth or soft non-metallic brush. Do not use water or any cleaning solutions.

Cleaning charger

WARNING

WARNING: Shock hazard.

Disconnect the charger from the AC outlet before cleaning. Dirt and grease may be removed from the exterior of the charger using a cloth or soft non-metallic brush. Do not use water or any cleaning solutions.

Tool lubrication

Your CRAFTOP tool has been properly lubricated and is ready for use.

Batteries

Be alert for battery packs that are nearing their end of life. If you notice decreased tool performance or significantly shorter running time between charges then it is time to replace the battery pack. Failure to do so can cause the tool to operate improperly or damage the charger.

DC motors

The motor in your tool has been engineered for many hours of dependable service. To maintain peak efficiency of the motor, we recommend it be examined every six months. Only a genuine CRAFTOP replacement motor specially designed for your tool should be used.

Bearings

Bearings which become noisy (due to heavy load or very abrasive material drilling) should be replaced at once to avoid overheating and motor failure.

Accessories

WARNING

Since accessories, other than those offered by CRAFTOP, have not been tested with this product, use of such accessories with this tool could be hazardous. To reduce the risk of injury, only CRAFTOP recommended accessories should be used with this product.

Recommended accessories for use with your tool are available at extra cost from your local authorized dealer or service center. If you need assistance in locating any accessory, please contact CRAFTOP.

Repair

Users of this power tool should only carry out the maintenance and service work described in this Owner's Manual. CRAFTOP recommends that other repair work be performed by authorized dealer and service center using genuine CRAFTOP replacement parts.

Storage

NOTICE

The best storage place is one that is cool and dry, away from direct sunlight and excess heat or cold. For long storage, it is recommended to store a fully charged battery pack in a cool dry place out of the charger for optimal results. Battery packs should not be stored completely depleted of charge. The battery pack will need to be recharged before use.

Power tool storage

1. Remove the battery from tool.
2. Completely clean the unit.
3. Store the power tool in a safe, dry, and dust-free place, out of the reach of children and other unauthorized person. For best results, cover the power tool with a proper cloth or foil to protect it against dust.

NOTICE

If the battery is not removed, there is the risk that the plug-in contacts on the power tool and battery become

corroded. Such corrosion can cause irreparable damage to the power tool and battery.

Battery storage

- Remove the battery from the tool or charger.
- Store in a closed, dry space and keep in a secure location. Protect against unauthorized use (e. g., by children) and dirt.
- Store the battery pack within the temperature limit of 5°C to +40°C (41°F to 104°F).
- Do not store backup batteries unused – use them in alternation.
- Since short circuit can cause burn hazard or safety vent to open, do not store the battery with metal jewelry, metal covered tables, metal belt, or other metal objects.

Storing the charger

- Remove the battery from charger.
- Disconnect the power plug.
- Store charger in a closed, dry space and keep in a secure location. Protect against unauthorized use (e. g., by children) and dirt

Disposal

Observe all country-specific and local waste disposal rules and regulations.

CRAFTOP products must not be thrown in the garbage bin. Take the power tool, accessories and packaging to an approved disposal site for environment friendly recycling.

Dispose of all packing material in an environmentally responsible manner.

WARNING

Do not attempt to disassemble the battery or remove any component projecting from the battery terminals. Fire or injury may result. Prior to disposal, protect exposed terminals with heavy insulating tape to prevent shorting.

If equipped with a lithium-ion battery, the battery must be collected, recycled or disposed of in an environmentally sound manner. Contact your local recycling center or factory to dispose used battery in a proper way.

DANGER

Plastic bags can be a danger to young children, dispose of immediately!

Contact your local authorized dealer or service center for the latest information on waste disposal.

Troubleshooting guide

DANGER

Fuel vapors are extremely flammable and may cause fire and/or explosion. Never test for ignition spark by grounding spark plug near cylinder plug hole, otherwise serious personal injury may result.

Problem	Cause	Solution
Unit will not start	<ol style="list-style-type: none">1. Battery pack not charged.2. Battery pack not installed properly.3. Battery pack temperature is too hot or cold for operation.4. Burned out switch.	<ol style="list-style-type: none">1. If equipped, check battery charge condition lights for charge status. Charge battery if needed.2. Confirm battery is locked and secured to the tool.3. Let battery sit a few minutes or until it reaches normal operating temperature.4. Have switch replaced by an authorized dealer or service center.
Battery pack will not charge	<ol style="list-style-type: none">1. Battery pack not inserted into charger.2. Charger not plugged in into outlet.3. Surrounding air temperature too hot or too cold.	<ol style="list-style-type: none">1. Insert battery pack into charger until LED light appears2. Confirm plug charger into a working outlet3. Move charger and battery pack to a surrounding air temperature of above 5°C (41°F) or below 40°C (104°F)

information

If your electric drill driver seems to need further service, please consult with your local authorized dealer or service center.



CRAFTOP®

WWW.CRAFTOP.COM

CRAFTOP®



Manual del usuario

Taladro eléctrico

EDR20-35A



EXPERTOS
EN EQUIPOS JARDINERIA
Y AGRICULTURA

ESPAÑOL
VERSIÓN: 00-202302

Le agradecemos que haya comprado Taladro Eléctrico CRAFTOP

Este taladro eléctrico proporciona tecnología avanzada al incorporar muchas características convenientes para que pueda realizar su trabajo diario.

Antes de intentar usar este taladro eléctrico, lea atentamente este manual hasta que comprenda completamente y pueda seguir todas las reglas de seguridad, precauciones e instrucciones de operación y mantenimiento. Le ayudará tanto a familiarizarse con este taladro eléctrico como a reconocer y evitar situaciones que podrían ponerlo en peligro a usted y a los demás. ¡El uso negligente o inadecuado puede causar lesiones graves o incluso mortales!

Si tiene alguna pregunta sobre su taladro eléctrico y este manual, comuníquese con su distribuidor local o centro de servicio autorizado. Siempre agradecen sus preguntas, sugerencias y críticas constructivas.

Esperamos que disfrute de este taladro eléctrico y le deseamos muchos años de trabajo seguro y placentero.

CRAFTOP CANADA LTD.

The logo for CRAFTOP is displayed in a stylized, bold, orange font. The word "CRAFTOP" is written in a slanted, italicized style. A registered trademark symbol (®) is located to the right of the word.

Tabla de contenido

Guía para usar este manual.....	18
Signos y símbolos	18
Descripción del producto.....	21
Especificación técnica.....	22
Instrucciones generales de seguridad para herramientas eléctricas	23
Instrucciones de seguridad para taladros inalámbricos	26
Instrucciones de seguridad al usar brocas largas.....	26
Instrucciones de seguridad adicionales	27
Instrucciones de seguridad para cargadores de baterías	27
Instrucciones de seguridad para paquetes de batería.....	28
Montaje.....	29
Instrucciones de operación	30
Cuidado y mantenimiento	34
Reparación.....	35
Almacenamiento.....	35
Disposición final	35
Guía para resolver problemas.....	37

Guía para usar este manual

Este Manual del Propietario se refiere a un taladro eléctrico CRAFTOP, también llamado herramienta, herramienta eléctrica, producto o unidad en este Manual del usuario.

Toda la información, especificaciones, descripciones e ilustraciones de este manual son tan precisas como se sabe en el momento de la publicación, pero están sujetas a cambios sin previo aviso. Debido al desarrollo continuo del producto, puede haber diferencias entre su herramienta eléctrica y la información de este manual. No se pueden derivar obligaciones o compromisos legales de la información, especificaciones, descripciones o ilustraciones de este manual.

Las ilustraciones son solo para orientación y se utilizan simplemente para ayudar a explicar las descripciones e instrucciones del texto. Las ilustraciones pueden incluir equipos y accesorios opcionales, y es posible que no incluyan todo el equipo estándar.

Algunos signos o símbolos en la herramienta eléctrica pueden ser un poco diferentes; se refieren a requisitos de certificación especiales para ciertos mercados.

Cualquier modificación técnica a la herramienta eléctrica que se haya introducido después de la fecha límite editorial, consulte a su distribuidor local para obtener más información adicional.

Todas las precauciones e instrucciones de seguridad descritas en este manual deben cumplirse durante la operación del taladro eléctrico, y también deben observarse todas las normas, normas y ordenanzas de seguridad federales, estatales y locales aplicables.

No venda, preste ni alquile la herramienta eléctrica sin este Manual del usuario. Asegúrese siempre de incluir este Manual del usuario junto con esta herramienta eléctrica y asegúrese de que cualquier persona que la use comprenda la información contenida en este manual.

Signos y símbolos

Con fines de seguridad en la operación y el mantenimiento, algunos de los siguientes signos y símbolos pueden estar adheridos o grabados en relieve en su herramienta eléctrica. Por favor estúdielos y aprenda su significado. La interpretación correcta de estos símbolos le permitirá operar la herramienta mejor y de manera más segura.

PELIGRO

Los textos con este símbolo contienen información sobre situaciones peligrosas que pueden causar la muerte o lesiones graves si no se evitan.

ADVERTENCIA

Los textos con este símbolo contienen información sobre situaciones peligrosas que pueden causar la muerte o lesiones graves si no se evitan.

PRECAUCIÓN

Los textos con este símbolo contienen información sobre situaciones peligrosas que podrían causar lesiones leves o moderadas si no se evitan.

AVISO

Los textos con este símbolo informan sobre una situación que podría provocar daño del taladro eléctrico si no se evita.

Información

Los textos con este símbolo contienen información complementaria.

Advertencia de seguridad o símbolo de alerta

Se deben cumplir las precauciones de seguridad especiales cuando se trabaja con esta herramienta eléctrica porque tiene accesorios de perforación de bordes afilados y piezas de rotación de alta velocidad.

Lea y comprenda el Manual del propietario

Lea detenidamente este Manual del usuario, asegúrese de que comprende completamente y puede seguir todas las reglas de seguridad, precauciones e instrucciones de operación y mantenimiento antes de intentar usar este taladro eléctrico, ¡no hacerlo puede causar lesiones graves o incluso fatales!





ropa adecuada

La ropa debe ser ceñida pero que permita total libertad de movimientos.

No use ropa holgada, joyas, bufandas, corbatas ni nada que pueda quedar atrapado en las piezas móviles de la herramienta eléctrica.



Protección ocular ANSI Z87.1 (CAN/CSA Z94.3)

Use protección para los ojos mientras trabaja, como anteojos de seguridad a prueba de suciedad/empañamiento, gafas de protección o un protector facial.



Protección auditiva ANSI S12.6 (S3.19)

Use barreras de sonido (tapones para los oídos o silenciadores para los oídos) para proteger su audición.



Protección respiratoria NIOSH/OSHA/MSHA

Los operadores que son sensibles al polvo u otros alérgenos comunes en el aire pueden necesitar usar una máscara contra el polvo.



Protección de manos

Siempre use guantes apropiados para la operación del taladro eléctrico.



Se requiere protección para los pies

Se requieren zapatos con punta de acero y suela antideslizante en el área de trabajo.



Peligros de descarga eléctrica

Tenga cuidado con el cable de alto voltaje cuando use una herramienta eléctrica.

¡No tocar!



Flecha (acción en la dirección de la flecha)



Selector infinitamente variable con apagado (la velocidad aumenta desde la configuración 0)



C.A.

Corriente alterna (tipo o característica de la corriente)



corriente continua

Corriente continua (tipo o característica de la corriente)



CA o CC

Corriente alterna o continua (tipo o característica de la corriente)



Se requiere una conexión a tierra adecuada

Consulte con un electricista local para determinar los requisitos de conexión a tierra antes de utilizar esta herramienta eléctrica.

V

Voltios (voltaje)

A

Amperios (corriente)

Ah

Amp-hora (medida de la capacidad de la batería)

Hz

Hertz (frecuencia, ciclos por segundo)

W

Vatio (potencia)

Wh

Watt-hora (medida de la capacidad de energía)

min

Minutos (tiempo)

s

Segundos (tiempo)

.../min

Por minuto

n₀

Sin velocidad de carga

n

Velocidad nominal

1,2,3...

Ajustes del selector (ajustes de velocidad, par o posición. Un número mayor significa mayor velocidad/par)

I,II,III,...

BPM

Latidos por minuto

IPM

Impactos por minuto

RPM

Revoluciones por minuto

SPM

Impulso por minuto

SFPM

Pies de superficie por minuto

mm	Milímetro
in	Pulgada
kg	Kilogramos (peso)
∅	Diámetro (tamaño de brocas, muelas abrasivas, etc.)

CRAFTOP®

Descripción del producto



- | | | |
|---|---|---|
| 1. Manguito de porta brocas | 7. Paquete de batería (Puede no estar incluido) | 13. gancho (Puede no estar incluido) |
| 2. Collar de selección de modo | 8. Botón de liberación de la batería | 14. Tornillo de fijación del gancho (Puede no estar incluido) |
| 3. Selector de velocidad/palanca de cambios | 9. Indizador de nivel de carga de la batería | 15. Arnés (Puede no estar incluido) |
| 4. Aberturas de ventilación | 10. Interruptor de gatillo de velocidad viable | 16. Cargador (Puede no estar incluido) |
| 5. Botón de control de avance/retroceso | 11. Luz de trabajo led | 17. Manual del usuario |
| 6. Mango principal | 12. Portabrocas sin llave | |

Uso previsto

Esta herramienta es una herramienta eléctrica profesional diseñada para taladrar y atornillar.



ADVERTENCIA

- No lo use en condiciones húmedas o en presencia de líquidos o gases inflamables.
- No permita que los niños entren en contacto con la herramienta. Se requiere supervisión cuando los operadores sin experiencia utilizan esta herramienta.

Especificación técnica

MODELO		EDR20-35A	
Artículo	Descripción	Unidad	Especificación
General	Dimensión del paquete	Pulgada (mm)	22,4x13x10,8 (570x330x275)
	Peso del paquete	kg	17
Motor	Modelo#		38*21*15H
	Tipo		sin escobillas
	Velocidad sin carga (1.ª marcha)	rpm	0~450
	Velocidad sin carga (2ª marcha)	rpm	0~1500
	Tuerca máxima	Nm	35
	máx. diámetro del taladro (metal)	milímetro	13
	máx. diámetro del taladro (madera)	milímetro	20
Propiedad mecánica	Capacidad máxima de sujeción	milímetro	10
	Diámetro máximo del tornillo	milímetro	7
	con impacto		No
	Número de choques		N / A
Batería	Tipo		iones de litio
	Voltaje	V	20V CC
	Capacidad	Ah	2.0
	Cantidad por caja		2
	Es posible que la batería no esté incluida en su paquete y la capacidad de la batería es opcional para diferentes modelos. Por favor, compruebe la información de su paquete al comprar.		
Cargador	Modelo#		1.8A
	Aporte		110-240 V CA 50-60 Hz 45 W
	Producción		20 V CC 1,8 A
	Tiempo mínimo de carga	metro	60
	Peso	kg	0.27
	Es posible que el cargador no esté incluido en su paquete. Por favor, compruebe la información de su paquete al comprar.		

Información

Las especificaciones, descripciones e ilustraciones de este manual son tan precisas como se sabe en el momento de la publicación, pero están sujetas a cambios sin previo aviso.

Instrucciones generales de seguridad para herramientas eléctricas



Se deben cumplir las precauciones de seguridad especiales cuando se trabaja con esta herramienta eléctrica porque tiene accesorios de perforación de bordes afilados y piezas de rotación de alta velocidad.

Antes de intentar usar este taladro eléctrico, lea atentamente este manual hasta que comprenda completamente y pueda seguir todas las reglas de seguridad, precauciones e instrucciones de operación y mantenimiento. ¡El uso negligente o inadecuado puede causar lesiones graves o incluso mortales!

¡Guarde todas las advertencias e instrucciones para referencia futura!



Información

El término "herramienta eléctrica" en las advertencias se refiere a su herramienta eléctrica operada por la red eléctrica (con cable) o a su herramienta eléctrica operada por batería (inalámbrica).

Precauciones de seguridad

PELIGRO

- Debido a que un taladro eléctrico tiene piezas de rotación de alta velocidad, se deben CUMPLIR algunas precauciones especiales para reducir el riesgo de accidentes y lesiones personales. El uso descuidado o inadecuado puede causar lesiones graves o incluso mortales.
- Las piezas giratorias pueden enredar el cabello, las manos, la ropa, los pies y/o los accesorios. Puede resultar en una amputación traumática o una laceración severa.

ADVERTENCIA

- Cumpla todas las normas, normas y ordenanzas de seguridad locales aplicables.
- El ruido emitido por esta herramienta eléctrica puede estar restringido a ciertas horas por las regulaciones nacionales o locales.
- Nunca se debe permitir que los menores utilicen este taladro eléctrico. No permita que otras personas se acerquen al taladro eléctrico cuando esté en funcionamiento. Mantenga a los transeúntes, especialmente niños y animales fuera del área de trabajo y mantenga una distancia segura. Es necesaria una estrecha supervisión de los niños para asegurarse de que no entren en el área de trabajo ni jueguen con la herramienta eléctrica.
- Nunca deje que su taladro eléctrico funcione sin supervisión. Cuando no esté en uso (p. ej., durante un descanso en el trabajo), apáguelo y asegúrese de que no lo utilicen personas no autorizadas.
- Las personas que utilicen este taladro atornillador eléctrico deben estar en buenas condiciones físicas

y psíquicas, y no estar bajo los efectos del alcohol y las drogas. Nunca use este taladro eléctrico cuando esté fatigado, enfermo o molesto. Si se siente cansado, tómese un descanso.

- Los componentes de esta herramienta eléctrica generan un campo electromagnético durante el funcionamiento, lo que puede interferir con algunos marcapasos. Para reducir el riesgo de lesiones graves o fatales, las personas con marcapasos deben consultar a su médico y al fabricante del marcapasos antes de utilizar esta herramienta eléctrica. En ausencia de dicha información, CRAFTOP no recomienda el uso de esta herramienta eléctrica a nadie que tenga un marcapasos.
- El usuario de esta herramienta eléctrica es responsable de evitar lesiones a terceros o daños a su propiedad.

PRECAUCIÓN

La exposición prolongada al frío y/o la vibración puede provocar lesiones. Lea y siga todas las instrucciones de seguridad y operación para minimizar el riesgo de lesiones. El incumplimiento de las instrucciones puede provocar lesiones dolorosas en la muñeca, la mano o el brazo.

El fenómeno de Raynaud puede afectar los dedos de ciertas personas si una persona está expuesta a vibraciones y frío. La exposición a vibraciones y frío puede causar sensaciones de hormigueo y ardor, seguidas de pérdida de color y entumecimiento en los dedos. Se recomiendan encarecidamente las siguientes precauciones:

- Mantenga su cuerpo caliente, especialmente la cabeza, el cuello, las manos, las muñecas, los tobillos y los pies.
- Mantenga una buena circulación sanguínea realizando ejercicios vigorosos con los brazos durante los descansos frecuentes en el trabajo.
- Limite las horas de operación, descanse cuando se sienta cansado o fatigado.
- Si experimenta molestias, enrojecimiento e hinchazón de los dedos seguidos de palidez y pérdida de sensibilidad, consulte a su médico antes de continuar exponiéndose al frío y las vibraciones.

El uso excesivo de los músculos y tendones de los dedos, manos, brazos y hombros puede causar dolor, hinchazón, entumecimiento, debilidad y dolor extremo en esas áreas.

- Evite usar la muñeca en una postura doblada, extendida o torcida. En su lugar, intente mantener una posición de muñeca recta. Además, al agarrar, use toda la mano, no solo el pulgar y el índice.
- Tome descansos periódicos para minimizar la repetición y deje que sus manos descansen.
- Reduzca la velocidad y la fuerza con la que realiza el movimiento repetitivo.
- Haga ejercicio para fortalecer las manos y los músculos de los brazos.
- Deje de usar inmediatamente la herramienta eléctrica y otras herramientas eléctricas, y consulte a un médico si siente hormigueo, entumecimiento o

dolor en los dedos, las manos, las muñecas o los brazos.

Seguridad en el área de trabajo

- Mantenga el área de trabajo limpia y bien iluminada. Las áreas desordenadas u oscuras invitan a los accidentes.
- No utilice herramientas eléctricas en atmósferas explosivas, como en presencia de líquidos, gases o polvos inflamables. Las herramientas eléctricas crean chispas que pueden encender el polvo o los humos.
- Mantenga a los niños y transeúntes alejados mientras opera una herramienta eléctrica. Las distracciones pueden hacer que pierda el control.

Seguridad eléctrica

- Los enchufes de las herramientas eléctricas deben coincidir con el tomacorriente.
- Nunca modifique el enchufe de ninguna manera. No utilice enchufes adaptadores con herramientas eléctricas conectadas a tierra. Los enchufes no modificados y los tomacorrientes coincidentes reducirán el riesgo de descarga eléctrica.
- Evite el contacto del cuerpo con superficies conectadas a tierra o conectadas a tierra, como tuberías, radiadores, estufas y refrigeradores. Existe un mayor riesgo de descarga eléctrica si su cuerpo está conectado a tierra o conectado a tierra.
- No exponga las herramientas eléctricas a la lluvia ni a la humedad. Si entra agua en una herramienta eléctrica, aumentará el riesgo de descarga eléctrica.
- No maltrate el cable. Nunca utilice el cable para transportar, tirar o desenchufar la herramienta eléctrica. Mantenga el cable alejado del calor, el aceite, los bordes afilados o las piezas móviles. Los cables dañados o enredados aumentan el riesgo de descarga eléctrica.
- Cuando opere una herramienta eléctrica al aire libre, use un cable de extensión adecuado para uso al aire libre. El uso de un cable adecuado para uso en exteriores reduce el riesgo de descarga eléctrica.
- Si es inevitable operar una herramienta eléctrica en un lugar húmedo, use un suministro protegido con interruptor de circuito de falla a tierra (GFCI). El uso de un GFCI reduce el riesgo de descarga eléctrica.

Seguridad personal

ADVERTENCIA

La mayoría de los accidentes de conductores de taladros eléctricos ocurren cuando el accesorio del taladro toca al operador. Debe usar ropa aprobada y equipos de protección personal (EPP) aprobados siempre que use un taladro eléctrico.

ADVERTENCIA

Utilice siempre gafas de seguridad. Los anteojos de uso diario NO son anteojos de seguridad. Utilice también una máscara facial o antipolvo si el entorno de trabajo es polvoriento. Siempre use equipo de seguridad certificado.



Ropa adecuada.

La ropa debe ser ceñida pero que permita total libertad de movimientos.

No use ropa holgada, joyas, bufandas, corbatas ni nada que pueda quedar atrapado en las piezas móviles de la herramienta eléctrica.



Protección ocular ANSI Z87.1 (CAN/CSA Z94.3)

Use protección para los ojos mientras trabaja, como anteojos de seguridad a prueba de suciedad/empañamiento, gafas de protección o un protector facial.



Protección auditiva ANSI S12.6 (S3.19)

Use barreras de sonido (tapones para los oídos o silenciadores para los oídos) para proteger su audición.



Protección respiratoria NIOSH/OSHA/MSHA.

Los operadores que son sensibles al polvo u otros alérgenos comunes en el aire pueden necesitar usar una máscara contra el polvo.



Protección de manos.

Siempre use guantes apropiados para la operación del taladro eléctrico.



Se requiere protección para los pies.

Se requieren zapatos con punta de acero y suela antideslizante en el área de trabajo.

- Manténgase alerta, mire lo que está haciendo y use el sentido común cuando opere una herramienta eléctrica. No use una herramienta eléctrica si está cansado o bajo la influencia de drogas, alcohol o medicamentos. Un momento de falta de atención mientras opera herramientas eléctricas puede resultar en lesiones personales graves.
- Use equipo de protección personal. Siempre use protección para los ojos. El equipo de protección, como una máscara contra el polvo, zapatos de seguridad antideslizantes, un casco o protección para los oídos, utilizados para las condiciones apropiadas, reducirán las lesiones personales.
- Evite el arranque involuntario. Asegúrese de que el interruptor esté en la posición de apagado antes de conectarlo a la fuente de alimentación y/o al paquete de baterías, levantar o transportar la herramienta. Transportar herramientas eléctricas con el dedo en el interruptor o energizar herramientas eléctricas que tienen el interruptor encendido invita a los accidentes.
- Retire cualquier llave o llave de ajuste antes de encender la herramienta eléctrica. Una llave inglesa o una llave que se deje unida a una pieza giratoria

de la herramienta eléctrica puede provocar lesiones personales.

- No se extralimite. Mantenga la postura y el equilibrio en todo momento. Esto permite un mejor control de la herramienta eléctrica en situaciones inesperadas.
- Vístase apropiadamente. No use ropa suelta o joyas. Mantenga su cabello, ropa y guantes alejados de las piezas móviles. La ropa suelta, las joyas o el pelo largo pueden quedar atrapados en las piezas móviles.
- Si se proporcionan dispositivos para la conexión de las instalaciones de recolección y extracción de polvo, asegúrese de que estén conectados y se utilicen correctamente. El uso de recolección de polvo puede reducir los peligros relacionados con el polvo.
- No permita que la familiaridad adquirida con el uso frecuente de las herramientas le permita volverse complaciente e ignorar los principios de seguridad de las herramientas. Una acción descuidada puede causar lesiones graves en una fracción de segundo.

Uso y cuidado de herramientas eléctricas

- No fuerce la herramienta eléctrica. Utilice la herramienta eléctrica correcta para su aplicación. La herramienta eléctrica correcta hará el trabajo mejor y de forma más segura al ritmo para el que fue diseñada.
- No use la herramienta eléctrica si el interruptor no la enciende y apaga. Cualquier herramienta eléctrica que no se pueda controlar con el interruptor es peligrosa y debe repararse.
- Desconecte el enchufe de la fuente de alimentación y/o retire la batería, el paquete si es desmontable, de la herramienta eléctrica antes de realizar ajustes, cambiar accesorios o almacenar herramientas eléctricas. Estas medidas preventivas de seguridad reducen el riesgo de que la herramienta eléctrica arranque accidentalmente.
- Guarde las herramientas eléctricas inactivas fuera del alcance de los niños y no permita que personas que no estén familiarizadas con la herramienta eléctrica o estas instrucciones operen la herramienta eléctrica. Las herramientas eléctricas son peligrosas en manos de usuarios no capacitados.
- Mantenimiento de herramientas eléctricas y accesorios. Compruebe si hay piezas móviles desalineadas o atascadas, piezas rotas y cualquier otra condición que pueda afectar el funcionamiento de la herramienta eléctrica. Si está dañada, haga reparar la herramienta eléctrica antes de usarla. Muchos accidentes son causados por herramientas eléctricas en mal estado.
- Mantenga las brocas afiladas y limpias. Es menos probable que los accesorios de perforación con bordes afilados que se mantienen correctamente se atasquen y son más fáciles de controlar.
- Utilice la herramienta eléctrica, los accesorios y las puntas de la herramienta, etc. de acuerdo con estas instrucciones, teniendo en cuenta las condiciones de trabajo y el trabajo a realizar. El uso de la herramienta eléctrica para operaciones diferentes a las previstas podría resultar en una situación peligrosa.

- Mantenga las manijas y las superficies de agarre secas, limpias y libres de aceite y grasa. Los mangos resbaladizos y las superficies de agarre no permiten un manejo y control seguro de la herramienta en situaciones inesperadas.

Uso y cuidado de herramientas a batería

- Recargue solo con el cargador especificado por el fabricante. Un cargador que sea adecuado para un tipo de paquete de baterías puede crear un riesgo de incendio cuando se usa con otro paquete de baterías.
- Use herramientas eléctricas solo con paquetes de baterías designados específicamente. El uso de cualquier otro paquete de baterías puede crear un riesgo de lesiones e incendio.
- Cuando el paquete de baterías no esté en uso, manténgalo alejado de otros objetos metálicos como sujetapapeles, monedas, llaves, clavos, tornillos u otros objetos metálicos pequeños que puedan hacer una conexión de un terminal a otro. Hacer un cortocircuito entre los terminales de la batería puede causar quemaduras o un incendio.
- Bajo condiciones abusivas, el líquido puede ser expulsado de la batería, evite el contacto. Si ocurre contacto accidentalmente, enjuague con agua. Si el líquido entra en contacto con los ojos, busque además ayuda médica. El líquido expulsado de la batería puede causar irritación o quemaduras.
- No utilice una batería o una herramienta que esté dañada o modificada. Las baterías dañadas o modificadas pueden exhibir un comportamiento impredecible que resulte en un incendio, explosión o riesgo de lesiones.
- No exponga el paquete de baterías ni la herramienta al fuego ni a temperaturas excesivas. La exposición al fuego a una temperatura superior a 265 °F (129 °C) puede provocar una explosión.
- Siga todas las instrucciones de carga y no cargue la batería o la herramienta fuera del rango de temperatura especificado en las instrucciones. La carga incorrecta o a temperaturas fuera del rango especificado puede dañar la batería y aumentar el riesgo de incendio.

Transporte



ADVERTENCIA

¡Peligro de incendio! No guarde ni transporte el paquete de batería de manera que los objetos metálicos puedan entrar en contacto con los terminales de la batería expuestos. Por ejemplo, no coloque el paquete de baterías en delantales, bolsillos, cajas de herramientas, cajas de juegos de productos, cajones, etc., con clavos, tornillos, llaves, etc. sueltos.

El transporte de baterías puede provocar incendios si los terminales de la batería entran en contacto sin darse cuenta con materiales conductores como llaves, monedas, herramientas manuales y similares.

Las Regulaciones de Materiales Peligrosos (HMR, por sus siglas en inglés) del Departamento de Transporte de EE. UU. en realidad prohíben transportar baterías en el comercio o en aviones en el equipaje de mano A

MENOS QUE estén debidamente protegidas contra cortocircuitos. Por lo tanto, cuando transporte paquetes de baterías individuales, asegúrese de que los terminales de la batería estén protegidos y bien aislados de materiales que puedan entrar en contacto con ellos y causar un cortocircuito.

Mantenimiento

Desarrolle un programa de mantenimiento periódico para su herramienta. Cuando limpie una herramienta, tenga cuidado de no desarmar ninguna parte de la herramienta, ya que los cables internos pueden estar fuera de lugar o pellizcados, o los resortes de retorno del protector de seguridad pueden estar mal montados. Ciertos agentes de limpieza como gasolina, tetracloruro de carbono, amoníaco, etc. pueden dañar las piezas de plástico.

Servicio

Haga que su herramienta eléctrica sea reparada por una persona calificada que utilice únicamente piezas de repuesto idénticas. Esto garantizará que se mantenga la seguridad de la herramienta eléctrica.

Instrucciones de seguridad para taladros inalámbricos



ADVERTENCIA

Antes de intentar usar este taladro eléctrico, lea todas las advertencias de seguridad y todas las instrucciones.



PELIGRO

Mantenga las manos alejadas del área de perforación y de las brocas.

- Use protectores para los oídos cuando perforo con impacto. La exposición al ruido puede causar pérdida de audición.
- Use la(s) empuñadura(s) auxiliar(es). La pérdida de control puede causar lesiones personales.
- Sujete la herramienta eléctrica por las superficies de agarre aisladas cuando realice una operación en la que el accesorio de perforación o los sujetadores puedan entrar en contacto con cables ocultos. Los accesorios de perforación o los sujetadores que entren en contacto con un cable "vivo" pueden hacer que las partes metálicas expuestas de la herramienta eléctrica estén "vivas" y podrían provocar una descarga eléctrica al operador.
- Sostenga la herramienta firmemente con las dos manos, una mano en el mango y la otra sujetando la parte inferior alrededor del área de la batería o el mango auxiliar, si se incluye. La pérdida de control puede causar lesiones personales.
- Use abrazaderas u otra forma práctica de asegurar y sostener la pieza de trabajo en una plataforma estable. Sostener el trabajo con la mano o contra su cuerpo lo deja inestable y puede provocar la pérdida de control.
- No perforo, sujete ni rompa paredes existentes u otras áreas ciegas donde pueda haber cableado

eléctrico. Si esta situación es inevitable, desconecte todos los fusibles o disyuntores que alimentan este lugar de trabajo.

- Siempre use gafas de seguridad o protección para los ojos cuando use esta herramienta. Use una máscara contra el polvo o un respirador para aplicaciones que generen polvo.
- Use guantes gruesos y acolchados y limite el tiempo de exposición tomando períodos de descanso frecuentes. La vibración causada por la acción del martillo perforador puede ser dañina para sus manos y brazos.
- Asegure el material a perforar. Nunca lo sostenga en la mano o entre las piernas. Un soporte inestable puede hacer que la broca se atasque y se pierda el control y se produzcan lesiones.
- Desconecte el paquete de baterías de la herramienta antes de realizar cualquier montaje, ajuste o cambio de accesorios. Estas medidas preventivas de seguridad reducen el riesgo de que la herramienta arranque accidentalmente.
- Ubíquese para evitar quedar atrapado entre la herramienta o el mango lateral y las paredes o los postes. Si la broca se atora o se atasca en el trabajo, el par de reacción de la herramienta podría aplastarle la mano o la pierna.
- Si la broca se atasca en la pieza de trabajo, suelte el gatillo inmediatamente, invierta la dirección de rotación y apriete lentamente el gatillo para sacar la broca. Esté preparado para un fuerte par de reacción. El cuerpo del taladro tenderá a torcerse en dirección opuesta a la rotación de la broca.
- No sujete la herramienta ni coloque las manos demasiado cerca del mandril giratorio o la broca. Su mano puede estar lacerada.
- Al instalar una broca, inserte bien el vástago de la broca dentro de las mordazas del mandril. Si la broca no se inserta lo suficientemente profundo, se reduce el agarre de las mordazas sobre la broca y aumenta la pérdida de control.
- No utilice brocas y accesorios desafilados o dañados. Las brocas desafiladas o dañadas tienen una mayor tendencia a atascarse en la pieza de trabajo.
- No utilice esta herramienta durante largos períodos de tiempo. La vibración causada por la acción de la herramienta puede ser dañina para sus manos y brazos. Use guantes para proporcionar protección adicional y limitar la exposición tomando períodos de descanso frecuentes.
- Los accesorios y la herramienta pueden calentarse durante el funcionamiento o después de un uso prolongado. Cuando retire la broca de la herramienta, evite el contacto con la piel y use guantes de protección adecuados cuando agarre la broca o el accesorio.

Instrucciones de seguridad al usar brocas largas

Nunca opere a una velocidad superior a la velocidad máxima nominal de la broca. A velocidades más altas, es probable que la broca se doble si se le permite girar

libremente sin hacer contacto con la pieza de trabajo, lo que puede ocasionar lesiones personales.

Siempre comience a taladrar a baja velocidad y con la punta de la broca en contacto con la pieza de trabajo. A velocidades más altas, es probable que la broca se doble si se le permite girar libremente sin hacer contacto con la pieza de trabajo, lo que puede ocasionar lesiones personales.

Aplique presión solo en línea directa con la broca y no aplique una presión excesiva. Las brocas se pueden doblar y causar roturas o pérdida de control, lo que puede ocasionar lesiones personales.

Instrucciones de seguridad adicionales

ADVERTENCIA

Parte del polvo generado por el lijado, aserrado, esmerilado, taladrado y otras actividades de construcción eléctrica contiene sustancias químicas que el estado de California reconoce como causantes de cáncer, defectos congénitos u otros daños reproductivos. Algunos ejemplos de estos productos químicos son el plomo de las pinturas a base de plomo, la sílice cristalina de los ladrillos, el cemento y otros productos de mampostería, y el arsénico y el cromo de la madera tratada químicamente.

Su riesgo de estas exposiciones varía, dependiendo de la frecuencia con la que realice este tipo de trabajo. Para reducir su exposición a estos químicos: trabaje en un área bien ventilada y trabaje con equipo de seguridad aprobado, como esas máscaras contra el polvo que están especialmente diseñadas para filtrar partículas microscópicas.

Evite el contacto prolongado con el polvo del lijado, aserrado, esmerilado, taladrado y otras actividades de construcción. Use ropa protectora y lave las áreas expuestas con agua y jabón. Permitir que el polvo entre en la boca, los ojos o la piel puede promover la absorción de sustancias químicas nocivas.

WARNING

El uso de esta herramienta puede generar y/o dispersar polvo, lo que puede causar lesiones respiratorias graves y permanentes o de otro tipo. Siempre use protección respiratoria aprobada por NIOSH/OSHA adecuada para la exposición al polvo, las partículas directas lejos de la cara y el cuerpo.

ADVERTENCIA

Siempre use protección auditiva personal adecuada que cumpla con ANSI S12.6 (S3.19) durante el uso. Bajo algunas condiciones y duración del uso, el ruido de este producto puede contribuir a la pérdida de audición.

PRECAUCIÓN

Cuando no esté en uso, coloque la herramienta de lado sobre una superficie estable donde no cause un peligro de tropiezo o caída. Algunas herramientas con paquetes de baterías grandes se pararán en posición vertical sobre el paquete de baterías, pero pueden volcarse fácilmente.

Mantenga los mangos secos, limpios y libres de aceite y grasa. Las manos resbaladizas no pueden controlar con seguridad la herramienta eléctrica.

No utilice herramientas clasificadas solo para CA con una fuente de alimentación de CC. Si bien la herramienta puede parecer que funciona, es probable que los componentes eléctricos de la herramienta con clasificación de CA fallen y creen un peligro para el operador.

Asegúrese de que el interruptor esté en la posición de apagado antes de insertar el paquete de baterías. Si el interruptor está en la posición ON, la inserción de la batería en las herramientas eléctricas puede provocar accidentes.

Las rejillas de ventilación suelen cubrir las piezas móviles y deben evitarse. La ropa suelta, las joyas o el pelo largo pueden quedar atrapados en las piezas móviles.

Evite lastimarse las manos. Inspeccione y quite las manos del área de perforación antes de perforar.

Instrucciones de seguridad para cargadores de baterías

ADVERTENCIA

Lea todas las advertencias de seguridad y todas las instrucciones del paquete de baterías, el cargador y la herramienta eléctrica. El incumplimiento de las advertencias e instrucciones puede provocar descargas eléctricas, incendios y/o lesiones graves.

- No intente cargar el paquete de baterías con otros cargadores que no sean los de este manual. El cargador y la batería están diseñados específicamente para trabajar juntos.
- Estos cargadores no están destinados a otros usos que no sean la carga de baterías recargables CRAFTOP. Cualquier otro uso puede resultar en riesgo de incendio, descarga eléctrica o electrocución.
- No exponga el cargador a la lluvia o la nieve.
- Tire del enchufe en lugar del cable cuando desconecte el cargador. Esto reducirá el riesgo de dañar el enchufe y el cable eléctrico.
- Asegúrese de que el cable esté ubicado de manera que no pueda ser pisado, tropezado o sujeto a daños o tensión.
- No use un cable de extensión a menos que sea absolutamente necesario. El uso de un cable de extensión inadecuado podría resultar en riesgo de incendio, descarga eléctrica o electrocución.
- Cuando opere un cargador al aire libre, proporcione siempre un lugar seco y use un cable de extensión adecuado para uso en exteriores. El uso de un cable adecuado para uso en exteriores reduce el riesgo de descarga eléctrica.
- Un cable de extensión debe tener un tamaño de cable adecuado (AWG o American Wire Gauge) por seguridad. Cuanto menor sea el número de calibre del cable, mayor será la capacidad del cable, es

decir, el calibre 16 tiene más capacidad que el calibre 18. Un cable de tamaño insuficiente provocará una caída en el voltaje de la línea, lo que provocará una pérdida de energía y un sobrecalentamiento. Cuando use más de una extensión para completar la longitud total, asegúrese de que cada extensión individual contenga al menos el tamaño mínimo de cable. La siguiente tabla muestra el tamaño correcto que se debe usar según la longitud del cable y el amperaje nominal de la placa de identificación. En caso de duda, utilice el siguiente calibre más pesado. Cuanto menor sea el número de calibre, más pesado será el cable.

- No coloque ningún objeto encima del cargador ni coloque el cargador sobre una superficie blanda que pueda bloquear las ranuras de ventilación y generar un calor interno excesivo. Coloque el cargador en una posición alejada de cualquier fuente de calor. El cargador se ventila a través de ranuras en la parte superior e inferior de la carcasa.
- No opere el cargador con un cable o enchufe dañado.
- No opere el cargador si ha recibido un golpe fuerte, si se ha caído o si ha sufrido algún otro daño. Llévelo a un centro de servicio autorizado.
- No desmonte el cargador; llévelo a un centro de servicio autorizado cuando se requiera servicio o reparación. El montaje incorrecto puede resultar en un riesgo de descarga eléctrica, electrocución o incendio.
- Desconecte el cargador del tomacorriente antes de intentar cualquier limpieza. Esto reducirá el riesgo de descarga eléctrica. Quitar la batería no reducirá este riesgo.
- Nunca intente conectar 2 cargadores juntos.
- El cargador está diseñado para funcionar con energía eléctrica doméstica estándar de 110-240 V CA. No intente usarlo con ningún otro voltaje. Esto no aplica para el cargador vehicular.

⚠ ADVERTENCIA
¡Peligro de choque! No permita que ningún líquido entre en el cargador. Puede resultar en una descarga eléctrica.

⚠ ADVERTENCIA
¡Peligro de quemaduras! No sumerja la batería en ningún líquido ni permita que ningún líquido entre en la batería. Nunca intente abrir el paquete de baterías por ningún motivo. Si la carcasa de plástico de la batería se rompe o se agrieta, devuélvala a un centro de servicio para su reciclaje.

⚠ ADVERTENCIA
¡Peligro de quemaduras! Para reducir el riesgo de lesiones, solo cargue paquetes de baterías recargables CRAFTOP. Otros tipos de baterías pueden sobrecalentarse y explotar, lo que puede ocasionar lesiones personales y daños a la propiedad.

ⓘ AVISO
Bajo ciertas condiciones, con el cargador enchufado a la fuente de alimentación, el cargador puede sufrir un

cortocircuito debido a material extraño. Los materiales extraños de naturaleza conductora, como, entre otros, polvo de esmerilado, virutas de metal, lana de acero, papel de aluminio o cualquier acumulación de partículas metálicas, deben mantenerse alejados de las cavidades del cargador. Siempre desenchufe el cargador de la fuente de alimentación cuando no haya un paquete de baterías en la cavidad. Desenchufe el cargador antes de intentar limpiarlo.

Calibre mínimo para juegos de cables					
Voltios	Longitud total del cable en pies (metros)				
	110V	25(7.6)	50(15.2)	100(30.5)	150(45.7)
240V	50(15.2)	100(30.5)	200(61.0)	300(91.4)	
Clasificación de amperios		Calibre de alambre americano			
>	≤				
0	6	18	16	16	14
6	10	18	16	14	12
10	12	16	16	14	12
12	16	14	12		

Instrucciones de seguridad para paquetes de batería

- ⚠ ADVERTENCIA**
- Lea todas las advertencias de seguridad y todas las instrucciones del paquete de baterías, el cargador y la herramienta eléctrica. El incumplimiento de las advertencias e instrucciones puede provocar descargas eléctricas, incendios y/o lesiones graves.
 - No cargue ni utilice la batería en atmósferas explosivas, como en presencia de líquidos, gases o polvo inflamables. Insertar o quitar el paquete de baterías del cargador puede encender el polvo o los vapores.
 - Nunca fuerce la batería en el cargador. No modifique el paquete de baterías de ninguna manera para que encaje en un cargador no compatible, ya que el paquete de baterías puede romperse y causar lesiones personales graves. Consulte la tabla al final de este manual para conocer la compatibilidad de las baterías y los cargadores.
 - Cargue los paquetes de baterías solo en cargadores CRAFTOP designados.
 - No salpique ni sumerja en agua u otros líquidos.
 - No guarde ni utilice la herramienta y el paquete de baterías en lugares donde la temperatura pueda alcanzar o superar los 40 °C (104 °F) (como cobertizos al aire libre o construcciones metálicas en verano). Para obtener la mejor vida útil, almacene los paquetes de baterías en un lugar fresco y seco.

⚠ ADVERTENCIA
No almacene los paquetes de baterías en una herramienta con el gatillo activado. Nunca pegue con cinta adhesiva el interruptor de gatillo en la posición de ENCENDIDO.

No incinere el paquete de baterías incluso si está gravemente dañado o completamente gastado. La batería puede explotar en un incendio. Se crean humos y materiales tóxicos cuando se queman paquetes de baterías de iones de litio.

Si el contenido de la batería entra en contacto con la piel, lave inmediatamente el área con agua y jabón suave. Si el líquido de la batería entra en contacto con el ojo, enjuague con agua sobre el ojo abierto durante 15 minutos o hasta que cese la irritación. Si se necesita atención médica, el electrolito de la batería se compone de una mezcla de carbonatos orgánicos líquidos y sales de litio.

El contenido de las celdas de batería abiertas puede causar irritación respiratoria. Proporcionar aire fresco. Si los síntomas persisten, busque atención médica.

⚠ ADVERTENCIA

¡Peligro de quemaduras! El líquido de la batería puede ser inflamable si se expone a chispas o llamas.

⚠ ADVERTENCIA

¡Peligro de incendio! Nunca intente abrir el paquete de baterías por ningún motivo. Si la caja del paquete de baterías está agrietada o dañada, no la inserte en el cargador. No aplaste, deje caer ni dañe la batería. No utilice un paquete de baterías o un cargador que haya recibido un golpe fuerte, que se haya caído, atropellado o dañado de alguna forma (p. ej., perforado con un clavo, golpeado con un martillo, pisado). Los paquetes de baterías dañados deben devolverse al centro de servicio para su reciclaje.

⚠ ADVERTENCIA

¡Peligro de incendio! No guarde ni transporte el paquete de batería de manera que los objetos metálicos puedan entrar en contacto con los terminales de la batería expuestos. Por ejemplo, no coloque el paquete de baterías en delantales, bolsillos, cajas de herramientas, cajas de juegos de productos, cajones, etc., con clavos sueltos, tornillos, llaves, etc. El transporte de las baterías puede provocar incendios si los terminales de las baterías entran en contacto accidentalmente con materiales conductores como llaves, monedas, herramientas manuales y similares. Las Regulaciones de Materiales Peligrosos (HMR, por sus siglas en inglés) del Departamento de Transporte de EE. UU. en realidad prohíben transportar baterías en el comercio o en aviones en el equipaje de mano A MENOS QUE estén debidamente protegidas contra cortocircuitos. Por lo tanto, cuando transporte paquetes de baterías individuales, asegúrese de que los terminales de la batería estén protegidos y bien aislados de materiales que puedan entrar en contacto con ellos y causar un cortocircuito.

Montaje

Su taladro eléctrico requiere un poco de montaje. Si tiene alguna pregunta sobre el ensamblaje de su taladro eléctrico, comuníquese con el distribuidor local o el centro de servicio autorizado.

Se requiere EPP adecuado cuando desembala la caja y realiza el trabajo de montaje.

⚠ ADVERTENCIA

Desconecte el paquete de baterías de la herramienta antes de realizar cualquier montaje, ajuste o cambio de accesorios. Estas medidas preventivas de seguridad reducen el riesgo de que la herramienta arranque accidentalmente. Una puesta en marcha accidental puede causar lesiones.

ⓘ AVISO

La batería no está completamente cargada fuera de la caja. Antes de usar el paquete de baterías y el cargador, lea las instrucciones de seguridad y luego siga los procedimientos de carga descritos. Cuando solicite paquetes de baterías de repuesto, asegúrese de incluir el número de pieza y el voltaje. Su herramienta eléctrica utiliza un cargador CRAFTOP.

Instalación del gancho (opcional)

⚠ ADVERTENCIA

Al instalar el gancho, asegúrelo siempre firmemente con el tornillo. De lo contrario, el gancho puede salirse de la herramienta y provocar lesiones personales.

El gancho es conveniente para colgar temporalmente la herramienta. Esto se puede instalar en cualquier lado de la herramienta.

Para instalar el gancho, insértelo en una ranura en el alojamiento de la herramienta en cualquiera de los lados y luego asegúrelo con un tornillo. Para quitar el gancho, afloje el tornillo y luego sáquelo.



Instalación/retirada de una broca u otro accesorio en/del porta brocas sin llave

⚠ ADVERTENCIA

No intente apretar las brocas (o cualquier otro accesorio) sujetando la parte delantera del mandril y encendiendo la herramienta. Se pueden producir daños en el mandril y lesiones personales. Siempre bloquee

el gatillo y desconecte la herramienta de la fuente de alimentación cuando cambie accesorios.

! ADVERTENCIA

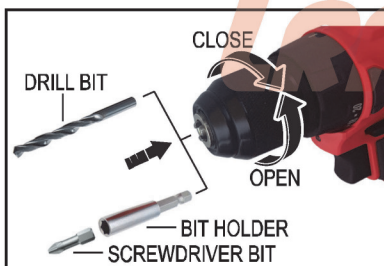
Siempre asegúrese de que la broca esté segura antes de encender la herramienta. Una broca suelta puede salir disparada de la herramienta y causar posibles lesiones personales.

Para instalar una broca u otro accesorio:

1. Mueva el botón del interruptor de avance/retroceso a la posición central "APAGADO".
2. Retire el paquete de baterías.
3. Para instalar una broca, gire el anillo del embrague hasta el símbolo de broca "▲▲▲▲".



4. Gire el manguito del mandril para abrir los dientes del porta brocas sin llave lo suficiente para aceptar el accesorio deseado.



5. Inserte una broca limpia hasta las acanaladuras de la broca para brocas pequeñas, o hasta el tope para brocas grandes.
6. Cierre el porta brocas girando el manguito del porta brocas en el sentido de las agujas del reloj y apriételo firmemente con la mano.

! AVISO

Para un apriete máximo, apriete el mandril sin llave con una mano en el manguito del mandril y una mano sujetando la herramienta.

Para quitar una broca u otro accesorio:

Para abrir, gire el manguito del porta brocas en el sentido contrario a las agujas del reloj mirando desde el extremo del mandril y abra los dientes del mandril hasta aproximarse al diámetro de la broca para liberar el accesorio.

Instalación de la batería en la herramienta

! ADVERTENCIA

Asegúrese de colocar el botón del interruptor de avance/retroceso en la posición central "APAGADO".

! AVISO

Para obtener los mejores resultados, asegúrese de que su paquete de baterías esté completamente cargado.

Alinee el paquete de baterías con los rieles dentro del mango de la herramienta y deslícelo dentro del mango hasta que el paquete de baterías esté firmemente asentado en la herramienta y asegúrese de que no se desenganche.



Instrucciones de operación

! ADVERTENCIA

Para reducir el riesgo de lesiones personales graves, apague la unidad y retire el paquete de baterías antes de realizar cualquier ajuste o quitar/instalar aditamentos o accesorios. Una puesta en marcha accidental puede causar lesiones.

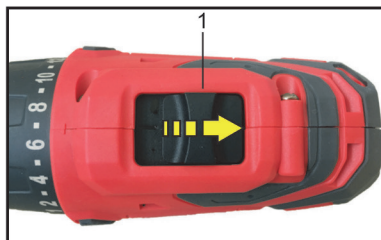
Selección de velocidad

La herramienta cuenta con dos configuraciones de velocidad para una mayor versatilidad.

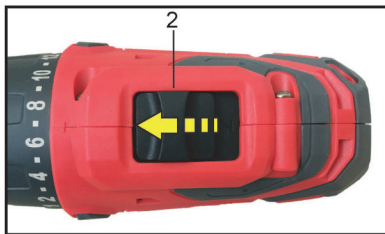
! AVISO

No cambie las velocidades cuando la herramienta esté funcionando. Permita siempre que la herramienta se detenga por completo antes de cambiar la velocidad.

Para seleccionar la velocidad 1 (ajuste de par más alto), deslice el selector de velocidad hacia atrás (alejándolo del porta brocas).



Para seleccionar la velocidad 2 (ajuste de par más bajo), deslice el selector de velocidad hacia adelante (hacia el porta brocas).




Si la herramienta no cambia de velocidad, confirme que el interruptor de selección de velocidad esté completamente enganchado en la posición de avance o retroceso.

Selección de modo

Su herramienta cuenta con 20 configuraciones de embrague. El par de salida aumentará a medida que el anillo del embrague se gira de 1 a 20. El taladro "La posición "bloqueará el embrague para permitir trabajos pesados de taladrado y conducción, y también permite cambiar las brocas.

El collar de selección de modo se puede utilizar para seleccionar el modo de funcionamiento correcto según la aplicación planificada.

Para seleccionar, gire el collar hasta que el símbolo deseado se alinee con la flecha.

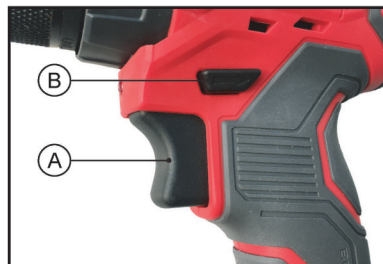
Símbolo	Modo
	Perforación
1,2,3,...20	Atornillar (Mayor número=mayor par)



Interruptor de gatillo de velocidad variable y botón de control de avance/retroceso

El taladro se enciende y se apaga tirando y soltando el interruptor de gatillo (A). Cuanto más se presione el gatillo, mayor será la velocidad del taladro.

Un botón de control de avance/retroceso (B) determina la dirección de rotación de la herramienta y también sirve como bloqueo-botón de apagado.



- Para seleccionar la rotación hacia adelante, suelte el gatillo y presione el botón de control de avance/retroceso en el lado derecho de la herramienta.
- Para seleccionar marcha atrás, presione el botón de control de avance/retroceso en el lado izquierdo de la herramienta.

! AVISO

No cambie la dirección de rotación hasta que la herramienta se detenga por completo. El cambio durante la rotación del mandril puede dañar la herramienta.

! AVISO

The center position of the control button locks the tool in the off position. When changing the position of the control button, be sure the trigger is released.

! AVISO

La posición central del botón de control bloquea la herramienta en la posición de apagado. Al cambiar la posición del botón de control, asegúrese de soltar el gatillo.

Freno

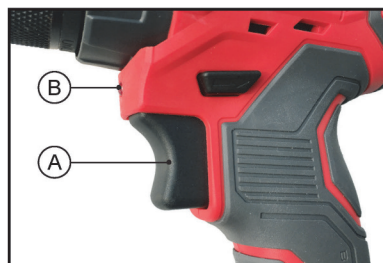
Cuando se suelta el gatillo, se activa el freno para detener el mandril rápidamente. Esto es especialmente útil en la conducción y extracción repetitiva de tornillos.

Luz de trabajo LED

! PRECAUCIÓN

No mire fijamente a la luz de trabajo LED. Se podrían producir lesiones oculares graves.

Su herramienta también está equipada con una luz de trabajo LED (B) que se enciende automáticamente cuando se activa el interruptor de gatillo (A), para una mejor visibilidad al taladrar, y se apagará automáticamente aproximadamente 5 segundos después de soltar el interruptor de gatillo.



! AVISO

La luz de trabajo es para iluminar la superficie de trabajo inmediata y no está diseñada para usarse como linterna.

Posición correcta de la mano

! ADVERTENCIA

Para reducir el riesgo de lesiones personales graves, utilice siempre la posición correcta de las manos como se muestra.

! ADVERTENCIA

Para reducir el riesgo de lesiones personales graves, sujete SIEMPRE de forma segura en previsión de una reacción repentina.

La posición adecuada de la mano requiere una mano en el mango principal y una mano en el paquete de baterías. Sostenga la herramienta firmemente con ambas manos para controlar la acción de torsión del taladro



Realización de una aplicación

! ADVERTENCIA

Para reducir el riesgo de lesiones personales, siempre asegúrese de que la pieza de trabajo esté anclada o sujeta firmemente.

! ADVERTENCIA

Espere siempre hasta que el motor se haya detenido por completo antes de cambiar la dirección de rotación.

- Antes de realizar un trabajo:
 1. Ajuste el selector de velocidad. Consulte la sección de Instalación/retirada de una broca u otro accesorio en/desde el porta brocas sin llave.
 2. Instale la broca o accesorio apropiado en el mandril. Consulte Instalación de una broca o accesorio en un porta brocas sin llave.

! ADVERTENCIA

No utilice esta herramienta para mezclar o bombear fluidos fácilmente combustibles o explosivos (bencina, alcohol, etc.). No mezcle ni revuelva líquidos inflamables etiquetados como tales.

Atornillar (1~20)

Su herramienta tiene un embrague con par ajustable para impulsar y quitar una amplia gama de formas y tamaños de sujetadores. Los números 1~20 en el collar de selección de modo se utilizan para establecer un rango de torque para atornillar. Cuanto mayor sea el número en el collar, mayor será el par de torsión y mayor será el sujetador que se puede colocar.

1. Gire el collar de selección de modo 6 a la posición deseada. Consulte la sección de Selección de modo.
2. Hale el interruptor de gatillo aplicando presión en línea recta con la broca hasta que el sujetador se asiente a la profundidad deseada en la pieza de trabajo.

i Información

Recomendaciones para atornillar:

- Comience con configuraciones de torsión más bajas, luego avance a configuraciones de torsión más altas para evitar dañar la pieza de trabajo o el sujetador.
- Realice algunos recorridos de práctica en desechos o en áreas no visibles de la pieza de trabajo para determinar la posición adecuada del collar de selección de modo.

Taladrar

! AVISO

Para mampostería, como ladrillos, cemento, bloques de cemento, etc., use brocas para mampostería con punta de carburo.

1. Gire el collar de selección de modo al símbolo de taladro. Consulte Selección de modo.
2. Coloque la broca en contacto con la pieza de trabajo.

! AVISO

Utilice únicamente una broca afilada.

3. Apriete el interruptor de gatillo aplicando presión en línea recta con la broca hasta que alcance la profundidad deseada.

! ADVERTENCIA

El taladro puede atascarse si se sobrecarga causando un giro repentino. Siempre espere el puesto. Sujete el taladro con firmeza para controlar la acción de torsión y evitar lesiones.

4. Mantenga el motor en marcha cuando saque la broca de un orificio perforado para evitar que se atasque.

i Información

Al perforar en madera:

Asegúrese de que la pieza de trabajo esté sujeta o anclada firmemente. Siempre aplique presión en línea recta con la broca. Mantenga la presión suficiente para que el taladro siga "mordiendo".

Al perforar agujeros en la madera, se pueden usar brocas helicoidales. Las brocas giratorias pueden

sobrecalentarse a menos que se saquen con frecuencia para quitar las virutas de las flautas.

Use un bloque de madera de "respaldo" para trabajos que probablemente se astillen, como materiales delgados.

Perforará un agujero más limpio si alivia la presión justo antes de que la broca atraviese la madera. Luego complete el agujero desde la parte de atrás.

Información

Al taladrar en metal:

Hay dos reglas para taladrar materiales duros. Primero, cuanto más duro sea el material, mayor será la presión que debe aplicar a la herramienta. En segundo lugar, cuanto más duro es el material, más lenta es la velocidad.

Aquí hay un par de consejos para taladrar en metal. Lubrique la punta de la broca de vez en cuando con aceite de corte, excepto cuando perfora metales blandos como aluminio, cobre o hierro fundido. Si el orificio a perforar es bastante grande, perfora primero un orificio más pequeño y luego amplíelo al tamaño requerido; a menudo es más rápido a largo plazo. Mantenga suficiente presión para asegurarse de que la broca no gire en el agujero. Esto desafilará la broca y acortará en gran medida su vida.

Información

Recomendaciones para taladrar:

Al taladrar, siempre aplique presión en línea recta con la broca, pero no presione lo suficiente como para detener el motor o desviar la broca.

- Si el taladro se atasca:

Suelte el interruptor de gatillo inmediatamente, retire la broca del trabajo y determine la causa del atasco.

No presione el interruptor de gatillo para encender y apagar en un intento de iniciar un taladro atascado, esto puede dañar el taladro.

Para minimizar el estancamiento o la ruptura del material, reduzca la presión sobre el taladro y pase la broca por la última fracción del orificio.

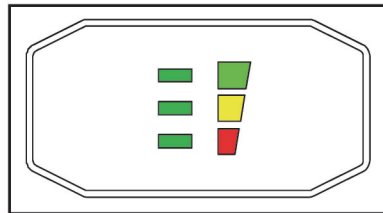
- Los orificios grandes (5/16" a 1/2" [7,9 mm a 12,7 mm]) en acero se pueden hacer más fáciles si un orificio piloto (5/32" a 3/16" [4 mm a 4,8 mm]) se perfora primero.
- Si taladra material delgado o material que es propenso a astillarse, use un bloque de madera de "respaldo" para evitar dañar la pieza de trabajo.

Indicador del nivel de carga de la batería

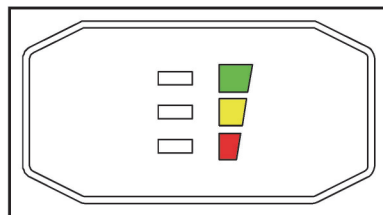
En la parte inferior del mango principal se encuentra un indicador de carga de la batería que consta de tres luces LED verdes que indican el nivel de carga restante en el paquete de baterías.

El indicador de combustible es una indicación de los niveles aproximados de carga restante en el paquete de baterías.

- Completamente cargada



- Necesita ser cargada



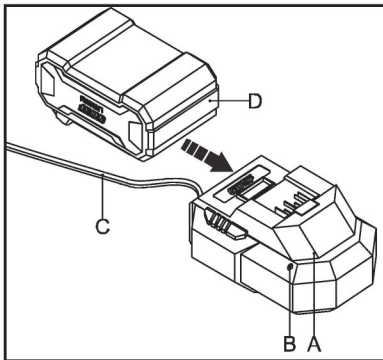
Extracción de la batería de la herramienta

Para retirar el paquete de baterías de la herramienta, presione el botón de liberación del paquete de baterías (1) y tire con firmeza del paquete de baterías para sacarlo del mango de la herramienta (2). Insértelo en el cargador como se describe en la sección del cargador de este manual.

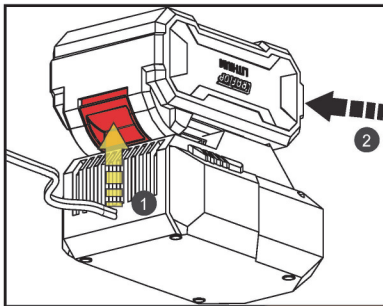


Cargar una batería

1. Enchufe el enchufe del cable de alimentación del cargador (C) en un tomacorriente apropiado antes de insertar el paquete de baterías.
2. Inserte el paquete de baterías (D) en el cargador, asegurándose de que el paquete de baterías esté completamente asentado en el cargador (A). La luz roja (cargando) (B) parpadeará continuamente indicando que el proceso de carga ha comenzado.
3. La finalización de la carga se indicará cuando la luz roja cambie a luz verde (B) y permanezca ENCENDIDA continuamente. El paquete de baterías está completamente cargado y puede usarse en este momento o dejarse en el cargador.



4. Para retirar el paquete de baterías del cargador, presione el botón de liberación de la batería (1) en el paquete de baterías y empuje el paquete de baterías hacia afuera desde el otro extremo (2).



AVISO

Para garantizar el máximo rendimiento y vida útil de los paquetes de baterías de iones de litio, cárguelos por completo antes de usarlos por primera vez.

Cuidado y mantenimiento

ADVERTENCIA

Para reducir el riesgo de lesiones personales graves, apague la unidad y retire el paquete de baterías antes de realizar cualquier ajuste o quitar/instalar aditamentos o accesorios. Una puesta en marcha accidental puede causar lesiones.

ADVERTENCIA

NO HAY PIEZAS REPARABLES POR EL USUARIO EN EL INTERIOR. El mantenimiento preventivo realizado por personal no autorizado puede dar lugar a la colocación incorrecta de cables y componentes internos, lo que podría causar un peligro grave. Recomendamos que todo el servicio de la herramienta sea realizado por un distribuidor o centro de servicio autorizado de CRAFTOP. **PERSONAL DE SERVICIO:** Desconecte la herramienta y/o el cargador de la fuente de alimentación antes de realizar el mantenimiento.

ADVERTENCIA

Nunca modifique el producto o cualquier parte del mismo. Se podrían producir daños o lesiones personales.

Limpeza de su herramienta

ADVERTENCIA

Para evitar accidentes, desconecte siempre la herramienta y/o el cargador de la fuente de alimentación antes de limpiarlos. La herramienta se puede limpiar con mayor eficacia con aire seco comprimido. Siempre use gafas de seguridad cuando limpie las herramientas con aire comprimido.

Las aberturas de ventilación y las palancas de los interruptores deben mantenerse limpias y libres de materias extrañas. No intente limpiar insertando objetos puntiagudos a través de la abertura.

AVISO

Nunca use solventes u otros productos químicos agresivos para limpiar las partes no metálicas de la herramienta. Ciertos agentes de limpieza y disolventes dañan las piezas de plástico. Algunos de estos son: gasolina, tetracloruro de carbono, solventes de limpieza clorados, amoníaco y detergentes domésticos que contienen amoníaco. Utilice un paño humedecido únicamente con agua y jabón suave. Nunca permita que ningún líquido entre en la herramienta; nunca sumerja ninguna parte de la herramienta en un líquido.

ADVERTENCIA

Sople la suciedad y el polvo de todas las rejillas de ventilación con aire limpio y seco al menos una vez a la semana. Para minimizar el riesgo de lesiones en los ojos, siempre use protección para los ojos aprobada por ANSI Z87.1 cuando realice esto.

Limpeza del paquete de baterías

La suciedad y la grasa se pueden quitar del exterior de la batería con un paño o un cepillo suave no metálico. No use agua ni ninguna solución de limpieza.

Limpeza del cargador

ADVERTENCIA

ADVERTENCIA: Peligro de descarga.

Desconecte el cargador del tomacorriente de CA antes de limpiarlo. La suciedad y la grasa se pueden quitar del exterior del cargador con un paño o un cepillo suave no metálico. No use agua ni ninguna solución de limpieza.

Lubricación de la herramienta

Su herramienta CRAFTOP se ha lubricado correctamente y está lista para usar.

Baterías

Esté alerta a los paquetes de baterías que se acercan al final de su vida útil. Si nota una disminución en el rendimiento de la herramienta o un tiempo de funcionamiento significativamente más corto entre cargas, entonces es hora de reemplazar el paquete de baterías. De lo contrario, la herramienta puede funcionar de manera incorrecta o dañar el cargador.

Motores de corriente continua

El motor de su herramienta ha sido diseñado para brindar muchas horas de servicio confiable. Para mantener la eficiencia máxima del motor, recomendamos examinarlo cada seis meses. Solo se debe utilizar un motor de repuesto original de CRAFTOP especialmente diseñado para su herramienta.

Rodamientos

Los rodamientos que se vuelven ruidosos (debido a una carga pesada o a la perforación de materiales muy abrasivos) deben reemplazarse de inmediato para evitar el sobrecalentamiento y la falla del motor.

Accesorios



ADVERTENCIA

Debido a que no se han probado con este producto accesorios que no sean los ofrecidos por CRAFTOP, el uso de dichos accesorios con esta herramienta podría ser peligroso. Para reducir el riesgo de lesiones, solo deben usarse con este producto los accesorios recomendados por CRAFTOP.

Los accesorios recomendados para usar con su herramienta están disponibles a un costo adicional en su distribuidor local autorizado o centro de servicio. Si necesita ayuda para ubicar algún accesorio, comuníquese con CRAFTOP.

Reparación

Los usuarios de esta herramienta eléctrica solo deben realizar el trabajo de mantenimiento y servicio descrito en este Manual del propietario. CRAFTOP recomienda que el distribuidor y el centro de servicio autorizado realicen otros trabajos de reparación utilizando repuestos originales de CRAFTOP.

Almacenamiento



AVISO

El mejor lugar de almacenamiento es uno que sea fresco y seco, lejos de la luz solar directa y del exceso de calor o frío. Para un almacenamiento prolongado, se recomienda almacenar una batería completamente cargada en un lugar fresco y seco fuera del cargador para obtener resultados óptimos. Los paquetes de baterías no deben almacenarse completamente descargados. El paquete de baterías deberá recargarse antes de su uso.

Almacenamiento de herramientas eléctricas

1. Retire la batería de la herramienta.
2. Limpie completamente la unidad.
3. Guarde la herramienta eléctrica en un lugar seguro, seco y sin polvo, fuera del alcance de los niños y otras personas no autorizadas. Para obtener los

mejores resultados, cubra la herramienta eléctrica con un paño o papel de aluminio adecuado para protegerla del polvo.



AVISO

If the battery is not removed, there is the risk that the plug-in contacts on the power tool and battery become corroded. Such corrosion can cause irreparable damage to the power tool and battery.

Almacenamiento de la batería

- Retire la batería de la herramienta o del cargador.
- Almacene en un espacio cerrado y seco y manténgalo en un lugar seguro. Proteger contra el uso no autorizado (por ejemplo, por niños) y la suciedad.
- Guarde la batería dentro del límite de temperatura de 5 °C a +40 °C (41 °F a 104 °F).
- No almacene baterías de respaldo sin usar—Alterne su uso.
- Debido a que un cortocircuito puede provocar quemaduras o que se abra la ventilación de seguridad, no almacene la batería con joyas de metal, mesas cubiertas de metal, cinturones de metal u otros objetos de metal.

Almacenamiento del cargador

- Retire la batería del cargador.
- Desconecte el enchufe de alimentación.
- Guarde el cargador en un espacio cerrado y seco y manténgalo en un lugar seguro. Proteger contra el uso no autorizado (por ejemplo, por niños) y la suciedad.

Disposición final

Respete todas las normas y reglamentos de eliminación de residuos locales y específicos de cada país.

Los productos CRAFTOP no deben tirarse a la basura. Lleve la herramienta eléctrica, los accesorios y el embalaje a un lugar de desecho aprobado para su reciclaje respetuoso con el medio ambiente.

Deseche todo el material de embalaje de manera responsable con el medio ambiente.



ADVERTENCIA

No intente desmontar la batería ni quitar ningún componente que sobresalga de los terminales de la batería. Se pueden producir incendios o lesiones. Antes de desecharlo, proteja los terminales expuestos con cinta aislante gruesa para evitar cortocircuitos.

Si está equipado con una batería de iones de litio, la batería debe recolectarse, reciclarse o desecharse de manera ambientalmente racional. Comuníquese con su centro de reciclaje o fábrica local para desechar la batería usada de manera adecuada.

! PELIGRO

Las bolsas de plástico pueden ser un peligro para los niños pequeños, ¡deséchelas inmediatamente!

Comuníquese con su distribuidor local o centro de servicio autorizado para obtener la información más reciente sobre la eliminación de desechos.

CRAFTOP®

! PELIGRO

Los vapores de combustible son extremadamente inflamables y pueden provocar un incendio o una explosión. Nunca pruebe la chispa de encendido conectando a tierra la bujía cerca del orificio de la bujía del cilindro; de lo contrario, podría sufrir lesiones personales graves.

Problema	Causa	Solución
La unidad no arranca	<ol style="list-style-type: none"> 1. Paquete de batería no cargado. 2. Paquete de batería no instalado correctamente. 3. La temperatura del paquete de baterías es demasiado alta o baja para el funcionamiento. 4. Interruptor quemado. 	<ol style="list-style-type: none"> 1. Si está equipado, revise las luces de estado de carga de la batería para ver el estado de carga. Cargue la batería si es necesario. 2. Confirme que la batería esté bloqueada y asegurada a la herramienta. 3. Deje reposar la batería unos minutos o hasta que alcance la temperatura normal de funcionamiento. 4. Haga que un distribuidor o centro de servicio autorizado reemplace el interruptor.
La batería no se carga	<ol style="list-style-type: none"> 1. Paquete de batería no insertado en el cargador. 2. El cargador no está enchufado en el tomacorriente. 3. La temperatura del aire circundante es demasiado caliente o demasiado fría. 	<ol style="list-style-type: none"> 1. Inserte el paquete de baterías en el cargador hasta que aparezca la luz LED 2. Confirme que enchufe el cargador en un tomacorriente que funcione 3. Mueva el cargador y el paquete de baterías a una temperatura ambiente superior a 5 °C (41 °F) o inferior a 40 °C (104 °F)

i Información

Si su taladro eléctrico parece necesitar más servicio, consulte con su distribuidor local o centro de servicio autorizado.



CRAFTOP®

WWW.CRAFTOP.COM